



OMA Management Object for XML Document Management

Candidate Version 1.1 – 28 Jan 2008

Open Mobile Alliance
OMA-TS-XDM_MO-V1_1-20080128-C

Use of this document is subject to all of the terms and conditions of the Use Agreement located at <http://www.openmobilealliance.org/UseAgreement.html>.

Unless this document is clearly designated as an approved specification, this document is a work in process, is not an approved Open Mobile Alliance™ specification, and is subject to revision or removal without notice.

You may use this document or any part of the document for internal or educational purposes only, provided you do not modify, edit or take out of context the information in this document in any manner. Information contained in this document may be used, at your sole risk, for any purposes. You may not use this document in any other manner without the prior written permission of the Open Mobile Alliance. The Open Mobile Alliance authorizes you to copy this document, provided that you retain all copyright and other proprietary notices contained in the original materials on any copies of the materials and that you comply strictly with these terms. This copyright permission does not constitute an endorsement of the products or services. The Open Mobile Alliance assumes no responsibility for errors or omissions in this document.

Each Open Mobile Alliance member has agreed to use reasonable endeavors to inform the Open Mobile Alliance in a timely manner of Essential IPR as it becomes aware that the Essential IPR is related to the prepared or published specification. However, the members do not have an obligation to conduct IPR searches. The declared Essential IPR is publicly available to members and non-members of the Open Mobile Alliance and may be found on the “OMA IPR Declarations” list at <http://www.openmobilealliance.org/ipr.html>. The Open Mobile Alliance has not conducted an independent IPR review of this document and the information contained herein, and makes no representations or warranties regarding third party IPR, including without limitation patents, copyrights or trade secret rights. This document may contain inventions for which you must obtain licenses from third parties before making, using or selling the inventions. Defined terms above are set forth in the schedule to the Open Mobile Alliance Application Form.

NO REPRESENTATIONS OR WARRANTIES (WHETHER EXPRESS OR IMPLIED) ARE MADE BY THE OPEN MOBILE ALLIANCE OR ANY OPEN MOBILE ALLIANCE MEMBER OR ITS AFFILIATES REGARDING ANY OF THE IPR'S REPRESENTED ON THE “OMA IPR DECLARATIONS” LIST, INCLUDING, BUT NOT LIMITED TO THE ACCURACY, COMPLETENESS, VALIDITY OR RELEVANCE OF THE INFORMATION OR WHETHER OR NOT SUCH RIGHTS ARE ESSENTIAL OR NON-ESSENTIAL.

THE OPEN MOBILE ALLIANCE IS NOT LIABLE FOR AND HEREBY DISCLAIMS ANY DIRECT, INDIRECT, PUNITIVE, SPECIAL, INCIDENTAL, CONSEQUENTIAL, OR EXEMPLARY DAMAGES ARISING OUT OF OR IN CONNECTION WITH THE USE OF DOCUMENTS AND THE INFORMATION CONTAINED IN THE DOCUMENTS.

© 2008 Open Mobile Alliance Ltd. All Rights Reserved.

Used with the permission of the Open Mobile Alliance Ltd. under the terms set forth above.

Contents

- 1. SCOPE4
- 2. REFERENCES5
 - 2.1 NORMATIVE REFERENCES.....5
 - 2.2 INFORMATIVE REFERENCES.....5
- 3. TERMINOLOGY AND CONVENTIONS6
 - 3.1 CONVENTIONS.....6
 - 3.2 DEFINITIONS.....6
 - 3.3 ABBREVIATIONS.....6
- 4. INTRODUCTION7
- 5. OMA XDM MANAGEMENT OBJECT8
 - 5.1 MANAGEMENT OBJECT TREE8
 - 5.2 MANAGEMENT OBJECT PARAMETERS.....8
 - 5.2.1 Node: /<X>8
 - 5.2.2 Node: /<X>/NAME9
 - 5.2.3 Node: /<X>/ProviderID9
 - 5.2.4 Node: /<X>/ToConRef9
 - 5.2.5 Node: /<X>/ToConRef/<X>9
 - 5.2.6 Node: /<X>/ToConRef/<X>/ConRef10
 - 5.2.7 Node: /<X>/URI10
 - 5.2.8 Node: /<X>/ AAUTHNAME10
 - 5.2.9 Node: /<X>/AAUTHSECRET10
 - 5.2.10 Node: /<X>/AAUTHTYPE11
 - 5.2.11 Node: /<X>/Ext.....11
- APPENDIX A. CHANGE HISTORY (INFORMATIVE).....12
 - A.1 APPROVED VERSION HISTORY12

Figures

- Figure 1: The OMA XDM Management Object tree8

1. Scope

This document defines the OMA XDM Management Object (MO). The MO is defined using the OMA DM Device Description Framework.

2. References

2.1 Normative References

- [DMTND] “SyncML Device Management Tree and Description”, Version 1.1.2, Open Mobile Alliance™, OMA-SyncML-DMTND-V1_1_2, URL: <http://www.openmobilealliance.org/>
- [OMA-DM] “Enabler Release Definition for OMA Device Management, Version 1.2”, Open Mobile Alliance™, OMA-ERELD-DM-V1_2, URL:<http://www.openmobilealliance.org/>
- [OMA-SyncML-DMStdObj-V1-1-2] "SyncML Device Management Standardized Objects", Version 1.1.2, Open Mobile Alliance™, OMA-SyncML-DMStdObj-V1_1_2, URL:<http://www.openmobilealliance.org/>
- [OMA-SyncML-DMTND-V1-1-2] "SyncML Device Management Tree and Description", Version 1.1.2, Open Mobile Alliance™, OMA-SyncML-DMTND-V1_1_2, URL:<http://www.openmobilealliance.org/>
- [RFC2119] “Key words for use in RFCs to Indicate Requirement Levels”, S. Bradner, March 1997, URL:<http://www.ietf.org/rfc/rfc2119.txt>

2.2 Informative References

- [IOPPROC] “OMA Interoperability Policy and Process”, Version 1.5, Open Mobile Alliance™, OMA-ORG-IOP-Process-V1_5, URL:<http://www.openmobilealliance.org/>
- [XDM_AD] “XML Document Management Architecture”, Version 1.1, Open Mobile Alliance™. OMA-AD-XDM-V1_1, URL:<http://www.openmobilealliance.org/>
- [XDM_CORE] “XML Document Management Specification”, Version 1.1, Open Mobile Alliance™. OMA-TS-XDM_Core-V1_1, URL:<http://www.openmobilealliance.org/>
- [XDM_RD] “XML Document Management Requirements”, Version 1.1, Open Mobile Alliance™, OMA-RD-XDM-V1_1, URL:<http://www.openmobilealliance.org/>

3. Terminology and Conventions

3.1 Conventions

The key words “MUST”, “MUST NOT”, “REQUIRED”, “SHALL”, “SHALL NOT”, “SHOULD”, “SHOULD NOT”, “RECOMMENDED”, “MAY”, and “OPTIONAL” in this document are to be interpreted as described in [RFC2119].

All sections and appendixes, except “Scope” and “Introduction”, are normative, unless they are explicitly indicated to be informative.

3.2 Definitions

See the DM Tree and Description [DMTND] document for definitions of terms related to the management tree.

3.3 Abbreviations

DM	Device Management
GAA	Generic Authentication Architecture
HTTP	Hyper Text Transfer Protocol
MO	Management Object
OMA	Open Mobile Alliance
URI	Uniform Resource Identifier
XCAP	XML Configuration Access Protocol
XDM	XML Document Management
XML	eXtensible Markup Language

4. Introduction

This document describes the OMA XDM management object syntax that allows configuration deployment to OMA XDM clients.

5. OMA XDM Management Object

This subclause defines the mobile device Management Object (MO) for OMA XDM. The MO is used for continuous provisioning, which allows the service provider to update any parameter defined in the MO tree for service configurations during service deployment. Also, the AC file SHALL use an equivalent list of parameters for initial provisioning.

The OMA XDM Management Object consists of relevant parameters required by [XDM_RD]. It is defined using the OMA DM Device Description Framework as described in [OMA-SyncML-DMTND-V1-1-2] and [OMA-SyncML-DMStdObj-V1-1-2].

The Management Object Identifier is: org.openmobilealliance/1.1/XDM

Protocol compatibility: This MO is compatible with OMA DM 1.1.2 or higher [OMA-DM].

Management object name: OMA_XDM

5.1 Management Object Tree

Figure 1 shows the nodes and leaf objects for XDM continuous provisioning:

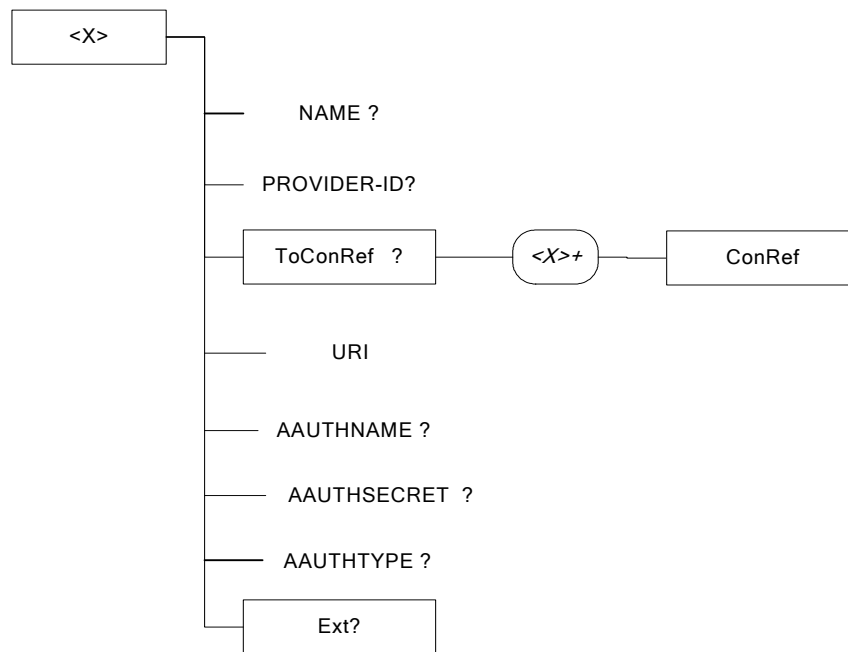


Figure 1: The OMA XDM Management Object tree

5.2 Management Object Parameters

This section describes the parameters for the OMA XDM Management Object.

5.2.1 Node: /<X>

This interior node acts as a placeholder for one or more accounts for a fixed node.

- Occurrence: OneOrMore
- Format: Node
- Access Types: Get

- Values: N/A
- Status: Mandatory

The interior node is mandatory if the UE supports OMA XDM.

5.2.2 Node: /<X>/NAME

The Name leaf is the application name, which is to be displayed in the user's equipment. It is specific for each service provider.

- Occurrence: ZeroOrOne
- Format: Chr
- Access Types: Get
- Values: <User displayable name>
- Status: Optional

5.2.3 Node: /<X>/ProviderID

This parameter provides an identifier for the provider of this service.

- Occurrence: ZeroOrOne
- Format: Chr
- Access Type: Get
- Values: N/A
- Status: Optional

5.2.4 Node: /<X>/ToConRef

The ToConRef interior node is used to allow an application to refer to a collection of connectivity definitions. Several connectivity parameters may be listed for a give application under this interior node.

- Occurrence: ZeroOrOne
- Format: Node
- Access Type: Get
- Values: N/A
- Status: Optional

5.2.5 Node: /<X>/ToConRef/<X>

This run-time node acts as a placeholder for one or more connectivity parameters.

- Occurrence: OneOrMore
- Format: Node
- Access Type: Get

- Value: N/A
- Status: Optional

5.2.6 Node: /<X>/ToConRef/<X>/ConRef

The ConRef leaf indicates the linkage to connectivity parameters. This parameter provides an identifier for the application service access point described by an APPLICATION characteristic, in this case the NAP ID and the SIP/IP core.

- Occurrence: One
- Format: Chr
- Access Type: Get
- Value: Relative URI
- Status: Optional

5.2.7 Node: /<X>/URI

This parameter defines the root of all XDM resources (this is the Aggregation Proxy address). This is useful when accessing via XCAP.

- Occurrence: One
- Format: Chr
- Access Type: Get
- Value: <a HTTP URI>
- Status: Mandatory

5.2.8 Node: /<X>/AAUTHNAME

This parameter defines the user name for XDM Client authentication using HTTP digest.

- Occurrence: ZeroOrOne
- Format: Chr
- Access Type: Get
- Value: N/A
- Status: Optional

5.2.9 Node: /<X>/AAUTHSECRET

This parameter defines the password for XDM Client authentication using HTTP digest.

- Occurrence: ZeroOrOne
- Format: Chr
- Access Type: No Get
- Value: <User specific value>

- Status: Optional

5.2.10 Node: /<X>/AAUHTYPE

This parameter defines the authentication type for XDM Client authentication.

- Occurrence: ZeroOrOne
- Format: Chr
- Access Type: Get
- Value: <a token>, whose values can be:
 - GAA: the authentication method will be GAA
 - Digest: the authentication method will be HTTP Digest
- Status: Optional

5.2.11 Node: /<X>/Ext

The Ext is an interior node where the vendor-specific information about the XDM MO is placed (vendor means application vendor, device vendor etc.). Usually the vendor extension is identified by a vendor-specific name under the ext node. The tree structure under the vendor identified is not defined and can therefore include a non-standardized sub-tree.

- Occurrence: ZeroOrOne
- Format: Node
- Access Type: Get
- Value: N/A
- Status: Optional

Appendix A. Change History

(Informative)

A.1 Approved Version History

Reference	Date	Description
OMA-TS-XDM_MO-V1_0-20060612-A	12 Jun 2006	Status changed to approved OMA-TP-2006-0196R03-INP_XDM_V1_0_for_final_approval.
OMA-TS-XDM_MO-V1_0_1-20061128-A	28 Nov 2006	Editorial changes, XDM references from 1.0 to 1.0.1
OMA-TS-XDM_MO-V1_0_1-20061128-A	28 Nov 2007	Incorporated CR: OMA-PAG-2007-0721
OMA-TS-XDM_MO-V1_1-20071212-D	12 Dec 2007	Editorial changes
OMA-TS-XDM_MO-V1_1-20080128-C	28 Jan 2008	Status changed to Candidate by TP TP ref # OMA-TP-2007-0505R03-INP_XDM_V1_1_for_Candidate_approval