



# **Immersive Social Centre Management Object**

Approved Version 1.0 – 30 Jun 2015

---

**Open Mobile Alliance**  
OMA-TS-ISC\_MO-V1\_0-20150630-A

Use of this document is subject to all of the terms and conditions of the Use Agreement located at <http://www.openmobilealliance.org/UseAgreement.html>.

Unless this document is clearly designated as an approved specification, this document is a work in process, is not an approved Open Mobile Alliance™ specification, and is subject to revision or removal without notice.

You may use this document or any part of the document for internal or educational purposes only, provided you do not modify, edit or take out of context the information in this document in any manner. Information contained in this document may be used, at your sole risk, for any purposes. You may not use this document in any other manner without the prior written permission of the Open Mobile Alliance. The Open Mobile Alliance authorizes you to copy this document, provided that you retain all copyright and other proprietary notices contained in the original materials on any copies of the materials and that you comply strictly with these terms. This copyright permission does not constitute an endorsement of the products or services. The Open Mobile Alliance assumes no responsibility for errors or omissions in this document.

Each Open Mobile Alliance member has agreed to use reasonable endeavors to inform the Open Mobile Alliance in a timely manner of Essential IPR as it becomes aware that the Essential IPR is related to the prepared or published specification. However, the members do not have an obligation to conduct IPR searches. The declared Essential IPR is publicly available to members and non-members of the Open Mobile Alliance and may be found on the “OMA IPR Declarations” list at <http://www.openmobilealliance.org/ipr.html>. The Open Mobile Alliance has not conducted an independent IPR review of this document and the information contained herein, and makes no representations or warranties regarding third party IPR, including without limitation patents, copyrights or trade secret rights. This document may contain inventions for which you must obtain licenses from third parties before making, using or selling the inventions. Defined terms above are set forth in the schedule to the Open Mobile Alliance Application Form.

NO REPRESENTATIONS OR WARRANTIES (WHETHER EXPRESS OR IMPLIED) ARE MADE BY THE OPEN MOBILE ALLIANCE OR ANY OPEN MOBILE ALLIANCE MEMBER OR ITS AFFILIATES REGARDING ANY OF THE IPR'S REPRESENTED ON THE “OMA IPR DECLARATIONS” LIST, INCLUDING, BUT NOT LIMITED TO THE ACCURACY, COMPLETENESS, VALIDITY OR RELEVANCE OF THE INFORMATION OR WHETHER OR NOT SUCH RIGHTS ARE ESSENTIAL OR NON-ESSENTIAL.

THE OPEN MOBILE ALLIANCE IS NOT LIABLE FOR AND HEREBY DISCLAIMS ANY DIRECT, INDIRECT, PUNITIVE, SPECIAL, INCIDENTAL, CONSEQUENTIAL, OR EXEMPLARY DAMAGES ARISING OUT OF OR IN CONNECTION WITH THE USE OF DOCUMENTS AND THE INFORMATION CONTAINED IN THE DOCUMENTS.

© 2015 Open Mobile Alliance Ltd. All Rights Reserved.

Used with the permission of the Open Mobile Alliance Ltd. under the terms set forth above.

# Contents

- 1. SCOPE.....4
- 2. REFERENCES .....5
  - 2.1 NORMATIVE REFERENCES.....5
- 3. TERMINOLOGY AND CONVENTIONS .....6
  - 3.1 CONVENTIONS .....6
  - 3.2 DEFINITIONS.....6
  - 3.3 ABBREVIATIONS .....6
- 4. INTRODUCTION .....7
  - 4.1 VERSION 1.0 .....7
- 5. OMA ISC MANAGEMENT OBJECT .....8
  - 5.1 MANAGEMENT OBJECT TREE .....8
  - 5.2 MANAGEMENT OBJECT PARAMETERS .....9
- APPENDIX A. CHANGE HISTORY (INFORMATIVE).....11
  - A.1 APPROVED VERSION HISTORY .....11

# Figures

- Figure 1: The OMA ISC Management Object tree .....8

# 1. Scope

This document defines the OMA Immersive Social Centre (ISC) Management Object (MO). The MO is defined using the OMA Device Description Framework.

## 2. References

### 2.1 Normative References

- [OMA DM] “OMA Device Management”, Open Mobile Alliance™, OMA-ERP-DM-V1\_3, [URL:http://www.openmobilealliance.org/](http://www.openmobilealliance.org/)
- [OMA ISC AD] “OMA ISC Architecture”, Open Mobile Alliance™, OMA-AD-ISC-V1\_0, [URL:http://www.openmobilealliance.org/](http://www.openmobilealliance.org/)
- [OMA XDM MO] “OMA Management Object for XML Document Management”, Version 2.1, Open Mobile Alliance™, OMA-TS-XDM\_MO-V2\_1, [URL:http://www.openmobilealliance.org/](http://www.openmobilealliance.org/)
- [RFC2119] “Key words for use in RFCs to Indicate Requirement Levels”, S. Bradner, March 1997, [URL:http://www.ietf.org/rfc/rfc2119.txt](http://www.ietf.org/rfc/rfc2119.txt)
- [RFC4234] “Augmented BNF for Syntax Specifications: ABNF”. D. Crocker, Ed., P. Overell. October 2005, [URL:http://www.ietf.org/rfc/rfc4234.txt](http://www.ietf.org/rfc/rfc4234.txt)

## 3. Terminology and Conventions

### 3.1 Conventions

The key words “MUST”, “MUST NOT”, “REQUIRED”, “SHALL”, “SHALL NOT”, “SHOULD”, “SHOULD NOT”, “RECOMMENDED”, “MAY”, and “OPTIONAL” in this document are to be interpreted as described in [RFC2119].

All sections and appendixes, except “Scope” and “Introduction”, are normative, unless they are explicitly indicated to be informative.

### 3.2 Definitions

ISC Client	See [OMA ISC AD]
ISC Server	See [OMA ISC AD]
Management Object	See [OMA DM]

### 3.3 Abbreviations

<b>DM</b>	Device Management
<b>ISC</b>	Immersive Social Centre
<b>MO</b>	Management Object
<b>OMA</b>	Open Mobile Alliance

## 4. Introduction

This document describes the configuration parameters and associated management object syntax that allows configuration of OMA ISC Client(s).

### 4.1 Version 1.0

The ISC MO Version 1.0 aims to provide the configuration parameters for the ISC Client.

The ISC MO Version 1.0 can be used for ISC 1.0 Enabler.

## 5. OMA ISC Management Object

This subclause defines the Management Object (MO) for OMA ISC. The MO SHOULD be used for initial provisioning of parameters when the OMA DM is to be used, and the MO SHOULD be used for continuous provisioning, which allows the service provider to update any parameter defined in the MO tree for service configurations during service deployment [OMA DM].

The OMA ISC Management Object consists of relevant parameters for configuration of ISC Client(s). It is defined using the OMA DM Device Description Framework as described in [OMA DM].

The Management Object Identifier is: urn:oma:mo:oma-ISC:1.0

Protocol compatibility: This MO is compatible with OMA DM 1.3 (see [OMA DM]).

Management object name: oma-ISC

### 5.1 Management Object Tree

This section describes the Management Object tree (i.e. nodes and leaf objects) for provisioning of OMA ISC Client(s).

Figure 1 shows the interior nodes and leaf objects defined under the OMA-ISC node, which is used for configuration of ISC Clients.

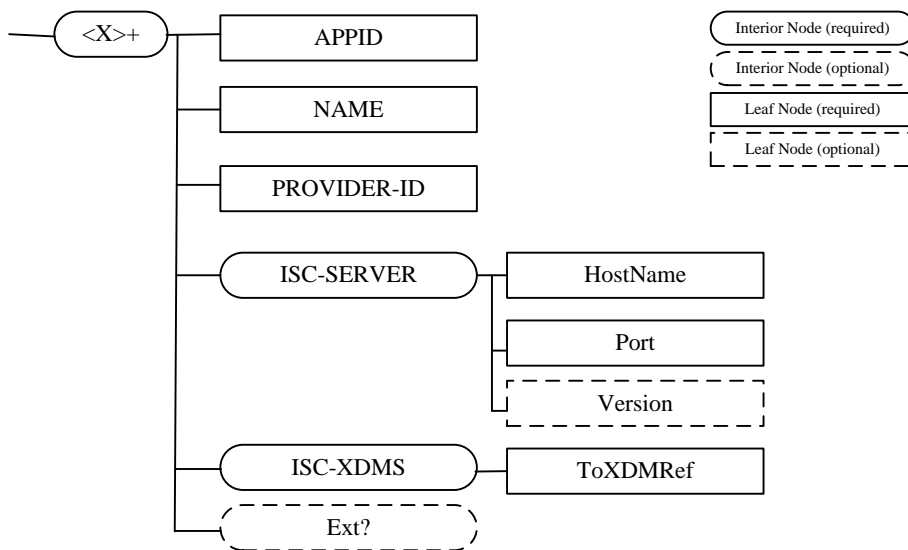


Figure 1: The OMA ISC Management Object tree



## 5.2 Management Object Parameters

This section describes the parameters for OMA ISC MO.

.../<x>

Status	Tree Occurrence	Format	Min. Access Types
Required	OneOrMore	node	Get

This interior node represents the unique object id of an *Immersive Social Centre Management Object*, or ISC MO. The purpose of this interior node is to group together the parameters of a single ISC MO object. The ancestor elements of this node define the position in the management tree of the ISC MO.

The Management Object Identifier is: “urn:oma:mo:oma-ISC:1.0”

### APPID

Status	Tree Occurrence	Format	Min. Access Types
Required	One	chr	Get

This parameter/leaf node provides an identifier for the application characteristics name for this application, to be used by DM Client to uniquely identify the application.

### NAME

Status	Tree Occurrence	Format	Min. Access Types
Required	One	chr	Get

This parameter/leaf node provides an application name which is displayed in equipment and is specific for each service provider.

### PROVIDER-ID

Status	Tree Occurrence	Format	Min. Access Types
Required	One	chr	Get

This parameter/leaf node provides an identity of the ISC service provider provides an identifier for the application service access point described by an APPLICATION characteristic.

### ISC-SERVER

Status	Tree Occurrence	Format	Min. Access Types
Required	One	node	Get

This interior node represents the information to connect the ISC Server, such as Hostname and port and release version.

**ISC-SERVER /HostName**

Status	Tree Occurrence	Format	Min. Access Types
Required	One	chr	Get

This parameter/leaf node indicates the host name of the ISC Server.

**ISC-SERVER /Port**

Status	Tree Occurrence	Format	Min. Access Types
Required	One	int	Get

This parameter/leaf node indicates the port number of the ISC Server.

**ISC-SERVER /Version**

Status	Tree Occurrence	Format	Min. Access Types
Optional	ZeroOrOne	chr	Get

This parameter/leaf node indicates the release number of the ISC Server.

**ISC-XDMS**

Status	Tree Occurrence	Format	Min. Access Types
Required	One	node	Get

This interior node represents a container for configuring ISC XDMS related properties.

**ISC-XDMS/ToXDMSRef**

Status	Tree Occurrence	Format	Min. Access Types
Required	One	chr	Get

This parameter/leaf node specifies a reference to XDM MO as defined in [XDM MO] that is used to configure the XDM Client associated with the ISC Client. The referenced XDM management object is either an existing instance on the client device or an instance specific to this ISC MO.

The value SHALL be a valid reference to a XDM Management Object.

**Ext**

Status	Tree Occurrence	Format	Min. Access Types
Optional	ZeroOrOne	node	Get

This interior node designates a branch of the <x> sub-tree into which vendor extensions MAY be added, permanently or dynamically. Ext sub tree provides flexible points of extension for vendor-specific parameters. However, vendor extensions MUST NOT be defined outside of Ext sub-tree.

## Appendix A. Change History

(Informative)

### A.1 Approved Version History

Reference	Date	Description
OMA-TS-ISC_MO-V1_0-20150630-A	30 Jun 2015	Status changed to Approved by TP TP Ref # OMA-TP-2015-0116-INP_ISC_V1_0_ERP_for_final_Approval