



OMA Management Object for MMS

Candidate Version 1.3 – 28 Jan 2008

Open Mobile Alliance
OMA-TS-MMS_MO-V1_3-20080128-C

Use of this document is subject to all of the terms and conditions of the Use Agreement located at <http://www.openmobilealliance.org/UseAgreement.html>.

Unless this document is clearly designated as an approved specification, this document is a work in process, is not an approved Open Mobile Alliance™ specification, and is subject to revision or removal without notice.

You may use this document or any part of the document for internal or educational purposes only, provided you do not modify, edit or take out of context the information in this document in any manner. Information contained in this document may be used, at your sole risk, for any purposes. You may not use this document in any other manner without the prior written permission of the Open Mobile Alliance. The Open Mobile Alliance authorizes you to copy this document, provided that you retain all copyright and other proprietary notices contained in the original materials on any copies of the materials and that you comply strictly with these terms. This copyright permission does not constitute an endorsement of the products or services. The Open Mobile Alliance assumes no responsibility for errors or omissions in this document.

Each Open Mobile Alliance member has agreed to use reasonable endeavors to inform the Open Mobile Alliance in a timely manner of Essential IPR as it becomes aware that the Essential IPR is related to the prepared or published specification. However, the members do not have an obligation to conduct IPR searches. The declared Essential IPR is publicly available to members and non-members of the Open Mobile Alliance and may be found on the “OMA IPR Declarations” list at <http://www.openmobilealliance.org/ipr.html>. The Open Mobile Alliance has not conducted an independent IPR review of this document and the information contained herein, and makes no representations or warranties regarding third party IPR, including without limitation patents, copyrights or trade secret rights. This document may contain inventions for which you must obtain licenses from third parties before making, using or selling the inventions. Defined terms above are set forth in the schedule to the Open Mobile Alliance Application Form.

NO REPRESENTATIONS OR WARRANTIES (WHETHER EXPRESS OR IMPLIED) ARE MADE BY THE OPEN MOBILE ALLIANCE OR ANY OPEN MOBILE ALLIANCE MEMBER OR ITS AFFILIATES REGARDING ANY OF THE IPR'S REPRESENTED ON THE “OMA IPR DECLARATIONS” LIST, INCLUDING, BUT NOT LIMITED TO THE ACCURACY, COMPLETENESS, VALIDITY OR RELEVANCE OF THE INFORMATION OR WHETHER OR NOT SUCH RIGHTS ARE ESSENTIAL OR NON-ESSENTIAL.

THE OPEN MOBILE ALLIANCE IS NOT LIABLE FOR AND HEREBY DISCLAIMS ANY DIRECT, INDIRECT, PUNITIVE, SPECIAL, INCIDENTAL, CONSEQUENTIAL, OR EXEMPLARY DAMAGES ARISING OUT OF OR IN CONNECTION WITH THE USE OF DOCUMENTS AND THE INFORMATION CONTAINED IN THE DOCUMENTS.

© 2008 Open Mobile Alliance Ltd. All Rights Reserved.

Used with the permission of the Open Mobile Alliance Ltd. under the terms set forth above.

Contents

- 1. SCOPE.....4
- 2. REFERENCES5
 - 2.1 NORMATIVE REFERENCES.....5
 - 2.2 INFORMATIVE REFERENCES.....5
- 3. TERMINOLOGY AND CONVENTIONS.....6
 - 3.1 CONVENTIONS.....6
 - 3.2 DEFINITIONS.....6
 - 3.3 ABBREVIATIONS.....6
- 4. INTRODUCTION7
- 5. OMA MMS MANAGEMENT OBJECT8
 - 5.1 MANAGEMENT OBJECT TREE8
 - 5.2 MANAGEMENT OBJECT PARAMETERS.....8
 - 5.2.1 Node: /<X>9
 - 5.2.2 Node: /<X>/Name.....9
 - 5.2.3 Node: /<X>/ToConRef9
 - 5.2.4 Node: /<X>/ToConRef/<X>9
 - 5.2.5 Node: /<X>/ToConRef/<X>/ConRef9
 - 5.2.6 Node: /<X>/Addr.....10
 - 5.2.7 Node: /<X>/CreMode.....10
 - 5.2.8 Node: /<X>/ReMode10
 - 5.2.9 Node: /<X>/MMSize11
 - 5.2.10 Node: /<X>/PCAddr.....11
 - 5.2.11 Node: /<X>/MMSA.....11
 - 5.2.12 Node: /<X>/Ext.....11
- APPENDIX A. MAPPING BETWEEN MMS AC AND MMS MO (NORMATIVE).....13
- APPENDIX B. CHANGE HISTORY (INFORMATIVE).....14
 - B.1 APPROVED VERSION HISTORY14
 - B.2 DRAFT/CANDIDATE VERSION 1.3 HISTORY14

Figures

- Figure 1: The OMA MMS Management Object tree8

Tables

- Table 1: Mapping between MMS MO and MMS AC13

1. Scope

This document defines the OMA MMS Management Object (MO).

2. References

2.1 Normative References

- [DM] "OMA Device Management Protocol, Version 1.2". Open Mobile Alliance™ OMA-TS-DM_Protocol-V1_2. URL: <http://www.openmobilealliance.org>
- [MMSAC] "MMS Application Characteristics, Version 1.3", OMA-TS-MMS-W4-V1_3-20050927-C, Open Mobile Alliance. URL: <http://www.openmobilealliance.org>
- [MMSCONF] "OMA MMS Conformance Document", OMA-MMS-CONF-v1_3, Open Mobile Alliance. URL: <http://www.openmobilealliance.org>
- [RFC2119] "Key words for use in RFCs to Indicate Requirement Levels", S. Bradner, March 1997, URL:<http://www.ietf.org/rfc/rfc2119.txt>
- [RFC4234] "Augmented BNF for Syntax Specifications: ABNF". D. Crocker, Ed., P. Overell. October 2005, URL:<http://www.ietf.org/rfc/rfc4234.txt>
- [SCR RULES] "SCR Rules and Procedures", Open Mobile Alliance™, OMA-ORG-SCR_Rules_and_Procedures, URL:<http://www.openmobilealliance.org/>

2.2 Informative References

- [OMADICT] "Dictionary for OMA Specifications", Version x.y, Open Mobile Alliance™, OMA-ORG-Dictionary-Vx_y, URL:<http://www.openmobilealliance.org/>

3. Terminology and Conventions

3.1 Conventions

The key words “MUST”, “MUST NOT”, “REQUIRED”, “SHALL”, “SHALL NOT”, “SHOULD”, “SHOULD NOT”, “RECOMMENDED”, “MAY”, and “OPTIONAL” in this document are to be interpreted as described in [RFC2119].

All sections and appendixes, except “Scope” and “Introduction”, are normative, unless they are explicitly indicated to be informative.

3.2 Definitions

3.3 Abbreviations

AC	Application Characteristics
DM	Device Management
MO	Management Object
MM	Multimedia Message
MMS	Multimedia Messaging Service
NAP	Network Access Point
OMA	Open Mobile Alliance
URL	Uniform Resource Locator
WAP	Wireless Application Protocol

4. Introduction

This document describes the OMA MMS management object syntax that allows configuration deployment to OMA MMS clients.

5. OMA MMS Management Object

This subclause defines the mobile device Management Object (MO) for OMA MMS. The MO allows a device to present its configuration in a standardized way, allowing a DM Server to be able to bootstrap, retrieve and manage the configuration of a device (the parameters included in the MO).

The OMA MMS Management Object consists of relevant parameters required by the MMS enabler. It is defined using the OMA DM Device Description Framework as described in [DM].

The Management Object Identifier is: TBD

5.1 Management Object Tree

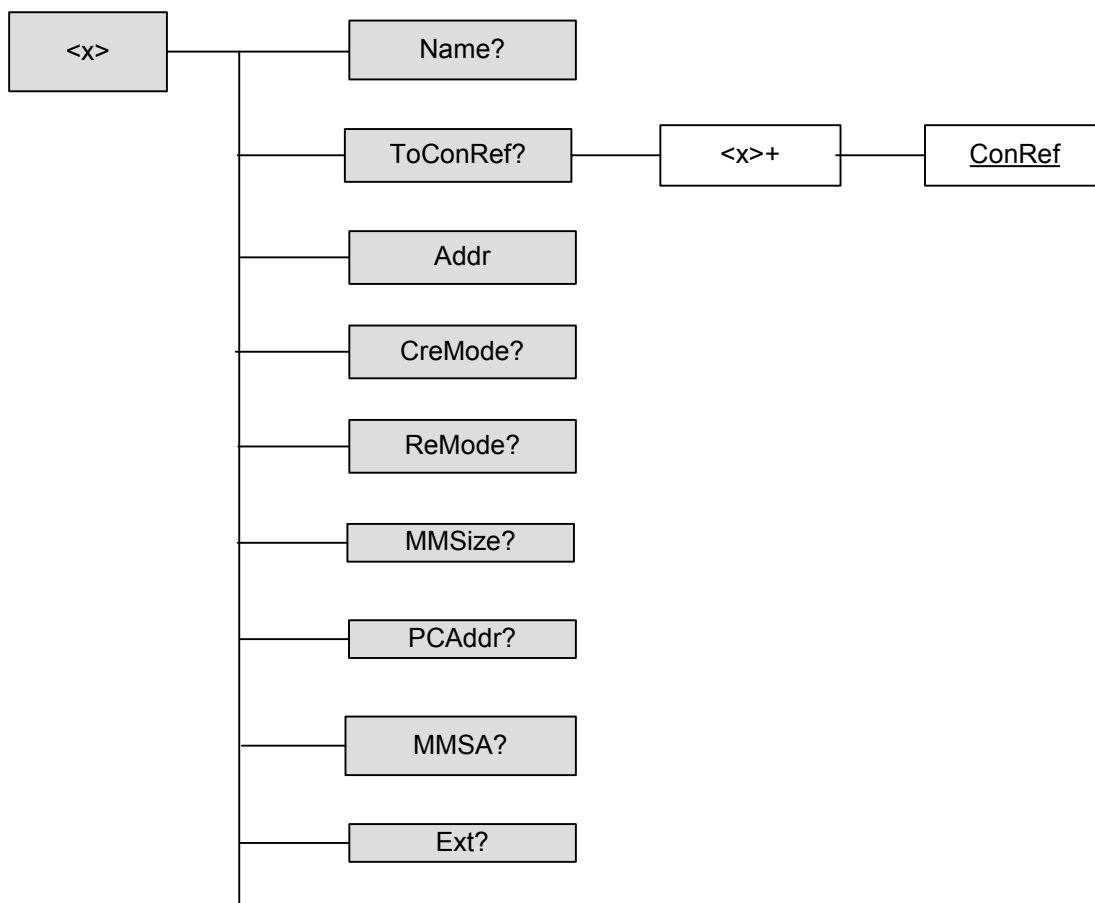


Figure 1: The OMA MMS Management Object tree

5.2 Management Object Parameters

This section describes the parameters for the OMA MMS Management Object.

5.2.1 Node: /<X>

Status	Occurrence	Format	Access
Optional	OneOrMore	Node	Get

This interior node acts as a placeholder for one or more accounts for a fixed node.

5.2.2 Node: /<X>/Name

Status	Occurrence	Format	Access
Optional	ZeroOrOne	Chr	Get

This leaf node specifies user displayable name for the MMS Proxy-Relay.

5.2.3 Node: /<X>/ToConRef

Status	Occurrence	Format	Access
Required	ZeroOrOne	Node	Get

The ToConRef interior node is used to allow application to refer to a collection of connectivity definitions. Several connectivity parameters may be listed for a given application under this interior node.

5.2.4 Node: /<X>/ToConRef/<X>

Status	Occurrence	Format	Access
Required	OneOrMore	Node	Get

This run-time node acts as a placeholder for each reference to connectivity parameters

5.2.5 Node: /<X>/ToConRef/<X>/ConRef

Status	Occurrence	Format	Access
Required	One	Chr	Get

The ConRef specifies a specific linkage to connectivity parameters. This parameter points to the right connectivity identity, NAP ID and WAP Gateway.

5.2.6 Node: /<X>/Addr

Status	Occurrence	Format	Access
Required	One	Chr	Get

This leaf node specifies the absolute Provider MMS Proxy-Relay URL.

5.2.7 Node: /<X>/CreMode

Status	Occurrence	Format	Access
Optional	ZeroOrOne	Chr	Get

This leaf node specifies the Creation Mode supported by the MMS Client. Possible values are: “R”, “W”, or “F”.

“R” – MMS Client shall be configured to Creation Mode Restricted.

“W” – MMS Client shall be configured to Creation Mode Warning.

“F” – MMS Client shall be configured to Creation Mode Free.

5.2.8 Node: /<X>/ReMode

Status	Occurrence	Format	Access
Optional	ZeroOrOne	Chr	Get

This leaf node specifies the Re-submission Mode supported by the MMS Client. Possible values are: “R”, “W”, or “F”.

“R” – MMS Client shall be configured to Re-submission Mode Restricted.

“W” – MMS Client shall be configured to Re-submission Mode Warning.

“F” – MMS Client shall be configured to Re-submission Mode Free.

5.2.9 Node: /<X>/MMSize

Status	Occurrence	Format	Access
Optional	ZeroOrOne	Chr	Get

This leaf node specifies the “max authorized MM size” in the Megapixel MM Content Class, as defined in [MMSCONF]. Possible values are: “300” or “600”.

“300” – Indicates that the “max authorized MM size” parameter is set to 300 KB.

“600” – Indicates that the “max authorized MM size” parameter is set to 600 KB.

5.2.10 Node: /<X>/PCAddr

Status	Occurrence	Format	Access
Optional	ZeroOrOne	Chr	Get

This leaf node defines an address for postcard service to be used as the recipient of an MM that contains a postcard.

5.2.11 Node: /<X>/MMSA

Status	Occurrence	Format	Access
Optional	ZeroOrOne	Chr	Get

This leaf node defines the state of the MMSA interface, as defined in [MMSCONF]. Possible values are: “Enable”, “Disable” or “Locked”. As specified in [MMSCONF], the default value is “Disable”.

“Enable” – Indicates that the MMS_A interface is set to “Enable”.

“Disable” – Indicates that the MMS_A interface is set to “Disable”.

“Locked” – Indicates that the MMS_A interface is set to “Locked”

5.2.12 Node: /<X>/Ext

Status	Occurrence	Format	Access
Optional	ZeroOrOne	Node	Get

The Ext is an interior node for where the vendor specific information is being placed (vendor meaning application vendor, device vendor etc.). Usually the vendor extension is identified by vendor specific name under the ext node. The tree structure under the vendor identified is not defined and can therefore include un-standardized sub-tree.

Appendix A. Mapping between MMS AC and MMS MO (Normative)

The MMS MO and the MMS AC allow the configuration of MMS parameters. This section provides a mapping between the MMS AC and the MMS MO.

MMS AC parameters	MMS MO parameters
APPID	N/A
NAME	NAME
TO-PROXY	ConRef
TO-NAPID	ConRef
ADDR	Addr
CM	CreMode
RM	ReMode
MS	MMSize
PC-ADDR	PCAddr
Ma	MMSA
N/A	Ext

Table 1: Mapping between MMS MO and MMS AC

Appendix B. Change History (Informative)

B.1 Approved Version History

Reference	Date	Description
n/a	n/a	No prior version

B.2 Draft/Candidate Version 1.3 History

Document Identifier	Date	Sections	Description
Draft Versions OMA-TS-MMS_MO-V1_3	15 May 2007	All	This version constitutes the first draft version of the MMS MO.
Candidate Versions OMA-TS-MMS_MO-V1_3	28 Jan 2008	All	Status changed to Candidate by TP TP ref # OMA-TP-2007-0494- INP_MMS_V1_3_for_Candidate_ReApproval.