



# **Presence SIMPLE Architecture**

## **Candidate Version 1.1 – 28 Jan 2008**

---

**Open Mobile Alliance**  
OMA-AD-Presence\_SIMPLE-V1\_1-20080128-C

Use of this document is subject to all of the terms and conditions of the Use Agreement located at <http://www.openmobilealliance.org/UseAgreement.html>.

Unless this document is clearly designated as an approved specification, this document is a work in process, is not an approved Open Mobile Alliance™ specification, and is subject to revision or removal without notice.

You may use this document or any part of the document for internal or educational purposes only, provided you do not modify, edit or take out of context the information in this document in any manner. Information contained in this document may be used, at your sole risk, for any purposes. You may not use this document in any other manner without the prior written permission of the Open Mobile Alliance. The Open Mobile Alliance authorizes you to copy this document, provided that you retain all copyright and other proprietary notices contained in the original materials on any copies of the materials and that you comply strictly with these terms. This copyright permission does not constitute an endorsement of the products or services. The Open Mobile Alliance assumes no responsibility for errors or omissions in this document.

Each Open Mobile Alliance member has agreed to use reasonable endeavors to inform the Open Mobile Alliance in a timely manner of Essential IPR as it becomes aware that the Essential IPR is related to the prepared or published specification. However, the members do not have an obligation to conduct IPR searches. The declared Essential IPR is publicly available to members and non-members of the Open Mobile Alliance and may be found on the “OMA IPR Declarations” list at <http://www.openmobilealliance.org/ipr.html>. The Open Mobile Alliance has not conducted an independent IPR review of this document and the information contained herein, and makes no representations or warranties regarding third party IPR, including without limitation patents, copyrights or trade secret rights. This document may contain inventions for which you must obtain licenses from third parties before making, using or selling the inventions. Defined terms above are set forth in the schedule to the Open Mobile Alliance Application Form.

NO REPRESENTATIONS OR WARRANTIES (WHETHER EXPRESS OR IMPLIED) ARE MADE BY THE OPEN MOBILE ALLIANCE OR ANY OPEN MOBILE ALLIANCE MEMBER OR ITS AFFILIATES REGARDING ANY OF THE IPR'S REPRESENTED ON THE “OMA IPR DECLARATIONS” LIST, INCLUDING, BUT NOT LIMITED TO THE ACCURACY, COMPLETENESS, VALIDITY OR RELEVANCE OF THE INFORMATION OR WHETHER OR NOT SUCH RIGHTS ARE ESSENTIAL OR NON-ESSENTIAL.

THE OPEN MOBILE ALLIANCE IS NOT LIABLE FOR AND HEREBY DISCLAIMS ANY DIRECT, INDIRECT, PUNITIVE, SPECIAL, INCIDENTAL, CONSEQUENTIAL, OR EXEMPLARY DAMAGES ARISING OUT OF OR IN CONNECTION WITH THE USE OF DOCUMENTS AND THE INFORMATION CONTAINED IN THE DOCUMENTS.

© 2008 Open Mobile Alliance Ltd. All Rights Reserved.

Used with the permission of the Open Mobile Alliance Ltd. under the terms set forth above.

# Contents

1.	SCOPE (INFORMATIVE)	5
2.	REFERENCES	6
2.1	NORMATIVE REFERENCES	6
2.2	INFORMATIVE REFERENCES	6
3.	TERMINOLOGY AND CONVENTIONS	8
3.1	CONVENTIONS	8
3.2	DEFINITIONS	8
3.3	ABBREVIATIONS	8
4.	INTRODUCTION (INFORMATIVE)	10
4.1	SECURITY CONSIDERATIONS	10
4.1.1	SIP Signalling Security	10
4.1.2	XDM security	10
4.2	REQUIREMENTS	10
5.	ARCHITECTURAL MODEL	11
5.1	DEPENDENCIES	11
5.1.1	Collaboration with Service Enablers	11
5.1.2	Collaboration with Device Management	11
5.1.3	Collaboration with XDM Enabler	11
5.2	ARCHITECTURAL DIAGRAM	11
5.3	FUNCTIONAL COMPONENTS AND REFERENCE POINTS	12
5.3.1	Presence Functional Entities	12
5.3.1.1	Presence Server	12
5.3.1.2	Presence Source	13
5.3.1.3	Watcher	13
5.3.1.4	Watcher Information Subscriber	13
5.3.1.5	Resource List Server (RLS)	13
5.3.1.6	XML Document Management Client (XDMC)	14
5.3.1.7	Presence XML Document Management Server (Presence XDMS)	14
5.3.1.8	Resource List Server XML Document Management Server (RLS XDMS)	14
5.3.1.9	Content Server	14
5.3.2	External Entities Providing Services to Presence	14
5.3.2.1	SIP/IP Core network	14
5.3.2.2	Shared XML Document Management Server (XDMS)	15
5.3.2.3	Aggregation Proxy	15
5.3.2.4	Device Management Server	15
5.3.2.5	Device Management Client	15
5.3.3	Description of the Reference Points	15
5.3.3.1	Reference Point PRS-1: Presence Source – SIP/IP Core	15
5.3.3.2	Reference Point PRS-2: Watcher – SIP/IP Core network	15
5.3.3.3	Reference Point PRS-3: SIP/IP Core – Presence Server	16
5.3.3.4	Reference Point PRS-4: SIP/IP Core – Resource List Server	16
5.3.3.5	Reference Point PRS-5: Presence Server – Shared XDM Server	16
5.3.3.6	Reference Point PRS-6: Presence XDM Server – SIP/IP Core (Void)	16
5.3.3.7	Reference Point PRS-7: Aggregation Proxy – Presence XDM Server	16
5.3.3.8	Reference Point PRS-8: Presence Server – Presence XDM Server	16
5.3.3.9	Reference Point PRS-9: Resource List Server – Shared XDM Server	17
5.3.3.10	Reference Point PRS-10: Resource List Server – RLS XDM Server	17
5.3.3.11	Reference Point PRS-11: RLS XDM Server – SIP/IP Core (Void)	17
5.3.3.12	Reference Point PRS-12: RLS XDM Server – Aggregation Proxy	17
5.3.3.13	Reference Point PRS-13: Presence Source – Content Server	17
5.3.3.14	Reference Point PRS-14: Watcher – Content Server	17
5.3.3.15	Reference Point PRS-15: Presence Server – Content Server	17
5.3.3.16	Reference Point PRS-16: Watcher Information Subscriber – SIP/IP Core	18
5.3.3.17	Reference Point XDM-1: XDM Client – SIP/IP Core (Void)	18
5.3.3.18	Reference Point XDM-3: XDM Client – Aggregation Proxy	18

- 5.3.3.19 Reference Point XDM-2: Shared XDMS – SIP/IP Core (Void) ..... 18
- 5.3.3.20 Reference Point XDM-4: Shared XDMS – Aggregation Proxy ..... 18
- 5.3.3.21 Reference Point IP-1: SIP/IP Core network – Remote Presence Network (based on a SIP/IP Core) ..... 18
- 5.3.3.22 Reference Point DM-1: DM Client – DM Server..... 18
- 5.3.4 Presence Information Format..... 18
- 5.3.5 Presence Authorisation Rules ..... 19
  - 5.3.5.1 Subscription Authorization Rules..... 19
  - 5.3.5.2 Presence Content Rules ..... 19
- 5.3.6 Charging..... 19
  - 5.3.6.1 Charging Architecture ..... 19
- 5.3.7 Registration..... 19
- 5.3.8 Presence Service Provisioning..... 19
- APPENDIX A. CHANGE HISTORY (INFORMATIVE)..... 20**
  - A.1 APPROVED VERSION HISTORY ..... 20**
  - A.2 DRAFT/CANDIDATE VERSION 1.1 HISTORY ..... 20**

## Figures

- Figure 1: SIMPLE Presence Architecture..... 12**

# 1. Scope

**(Informative)**

The scope of this document is to provide an architecture for the OMA Presence SIMPLE 1.1 enabler (Presence Enabler), which includes a general network-agnostic model for presence using the IETF SIMPLE specifications and aligned with 3GPP and 3GPP2 Presence Service framework.

## 2. References

### 2.1 Normative References

#### OMA:

- [OMA DM] “OMA Device Management, V1.1.2 (based on SyncML DM)”, Version 1.1.2, OMA-DM-V1\_1\_2, Open Mobile Alliance™, URL: <http://www.openmobilealliance.org/>
- [OMA PRESRD] “Presence SIMPLE Requirements”, Version 1.1, OMA-RD-Presence\_SIMPLE-V1\_1, Open Mobile Alliance™, URL: <http://www.openmobilealliance.org/>
- [OMA PROAD] “OMA Provisioning Architecture Overview”, Version 1.1, OMA-WAP-ProvArch-V1\_1, Open Mobile Alliance™, URL: <http://www.openmobilealliance.org/>
- [OMA PROCONT] “OMA Provisioning Content”, Version 1.1, OMA-WAP-TS-ProvCont-V1\_1, Open Mobile Alliance™, URL: <http://www.openmobilealliance.org/>
- [OMA PROSEC] “OMA Provisioning Bootstrap”, Version 1.1, OMA-WAP-ProvBoot-V1\_1, Open Mobile Alliance™, URL: <http://www.openmobilealliance.org/>
- [OMA PROUA] “OMA Provisioning User Agent Behaviour”, Version 1.1, OMA-WAP-ProvUAB-V1\_1, Open Mobile Alliance™, URL: <http://www.openmobilealliance.org/>
- [OMA XDMAD] “OMA XML Document Management (XDM) Architecture”, Version 1.1, OMA-AD-XDM-V1\_1, Open Mobile Alliance™, URL: <http://www.openmobilealliance.org/>

#### IETF:

- [RFC2119] “Key words for use in RFCs to Indicate Requirement Levels”, S. Bradner. March 1997, RFC2119, URL: <http://www.ietf.org/rfc/rfc2119.txt>
- [RFC2778] “A Model for Presence and Instant Messaging”, M. Day et al., February 2000, RFC 2778, URL: <http://www.ietf.org/rfc/rfc2778.txt>
- [RFC3261] “SIP: Session Initiation Protocol”, Rosenberg et al, June 2002, RFC 3261, URL: <http://www.ietf.org/rfc/rfc3261.txt>
- [RFC3265] “Session Initiation Protocol (SIP)-Specific Event Notification”, A.B.Roach, June 2002, RFC 3265, URL: <http://www.ietf.org/rfc/rfc3265.txt>
- [RFC3856] “A Presence Event Package for the Session Initiation Protocol (SIP)”, J.Rosenberg, August 2004, RFC 3856, URL: <http://www.ietf.org/rfc/rfc3856.txt>
- [RFC3857] “A Watcher Information Event Template-Package for the Session Initiation Protocol (SIP)”, J. Rosenberg, August 2004, RFC 3857, URL: <http://www.ietf.org/rfc/rfc3857.txt>
- [RFC3863] “Presence Information Data Format (PIDF)”, H.Sugano et al., August 2004, RFC 3863, URL: <http://www.ietf.org/rfc/rfc3863.txt>
- [RFC3903] “Session Initiation Protocol (SIP) Extension for Event State Publication”, A. Niemi, October 2004, RFC 3903, URL: <http://www.ietf.org/rfc/rfc3903.txt>
- [RFC4483] “A Mechanism for Content Indirection in Session Initiation Protocol (SIP) Messages”, E. Burger, et al, May 2006, RFC 4483, URL: <http://www.ietf.org/rfc/rfc4483.txt>
- [RFC4660] “Functional Description of Event Notification Filtering”, H.Khartabil et al, Sep 2006, RFC 4660, URL: <http://www.ietf.org/rfc/rfc4660.txt>
- [RFC4662] “A Session Initiation Protocol (SIP) Event Notification Extension for Resource Lists”, A. B. Roach et al, August 2006, RFC 4662, URL: <http://www.ietf.org/rfc/rfc4662.txt>

#### 3GPP / 3GPP2:

- [3GPP TS 23.228] “IP Multimedia Subsystem (IMS); Stage 2”, 3GPP TS 23.228, URL: [http://www.3gpp.org/ftp/Specs/archive/23\\_series/23.228/](http://www.3gpp.org/ftp/Specs/archive/23_series/23.228/)
- [3GPP TS 33.222] “Generic Authentication Architecture (GAA); Access to network application functions using Hypertext Transfer Protocol over Transport Layer Security (HTTPS)”, 3GPP TS 33.222, Release 6,

URL: [http://www.3gpp.org/ftp/Specs/archive/33\\_series/33.222/](http://www.3gpp.org/ftp/Specs/archive/33_series/33.222/)

[3GPP2 S.S0114-0]

“Security Mechanisms using GBA”, Version 1.0, 3GPP2,  
[http://www.3gpp2.org/Public\\_html/specs/index.cfm](http://www.3gpp2.org/Public_html/specs/index.cfm)

[3GPP2 X.S0013-002-A]

“All-IP Core Network Multimedia Domain: IP Multimedia Subsystem - Stage 2”, Revision A, Version 1.0, 3GPP2,  
URL: , [http://www.3gpp2.org/Public\\_html/specs/index.cfm](http://www.3gpp2.org/Public_html/specs/index.cfm)

## 2.2 Informative References

### 3GPP / 3GPP2:

[3GPP TS 23.141]

“Presence Service; Architecture and functional description”, 3GPP TS 23.141,  
URL: [http://www.3gpp.org/ftp/Specs/archive/23\\_series/23.141/](http://www.3gpp.org/ftp/Specs/archive/23_series/23.141/)

[3GPP TS 24.141]

“Presence service using the IP Multimedia (IM) Core Network (CN) subsystem; Stage-3“, 3GPP TS 24.141, URL: [http://www.3gpp.org/ftp/Specs/archive/24\\_series/24.141/](http://www.3gpp.org/ftp/Specs/archive/24_series/24.141/)

[3GPP2 X.P0027-003-0]

“Presence Service using IP Multimedia Core Network Subsystem; Stage 3”, Revision 0, Version 1.0, 3GPP2, URL: URL: [http://www.3gpp2.org/Public\\_html/specs/index.cfm](http://www.3gpp2.org/Public_html/specs/index.cfm)  
NOTE: 3GPP2 Work in progress.

[3GPP2 X.S0027-001-0]

“Presence Service; Architecture and functional description”, Revision 0, Version 1.0, 3GPP2,  
URL: [http://www.3gpp2.org/Public\\_html/specs/index.cfm](http://www.3gpp2.org/Public_html/specs/index.cfm)

## 3. Terminology and Conventions

### 3.1 Conventions

The key words “MUST”, “MUST NOT”, “REQUIRED”, “SHALL”, “SHALL NOT”, “SHOULD”, “SHOULD NOT”, “RECOMMENDED”, “MAY”, and “OPTIONAL” in this document are to be interpreted as described in [RFC2119].

All sections and appendixes, except “Scope” and “Introduction”, are normative, unless they are explicitly indicated to be informative.

### 3.2 Definitions

<b>Context Collaboration Model</b>	An extension of the Context Model. It expands on the Context Model by describing the interactions (collaborations) between the entities of this architecture and external entities (e.g. entities in other architectures).
<b>Context Model</b>	A model that identifies all Contextual Items relevant to understanding architecture.
<b>Contextual Item</b>	A logical entity in an architecture
<b>Presence Content Rules</b>	Rules that determine the content of Presence Information sent to the Watchers.
<b>Presence Information</b>	Defined in [OMA PRESRD]
<b>Presence Information Element</b>	Defined in [OMA PRESRD]
<b>Presence List</b>	A resource list (or URI List) to ask for Presence Information for a list of users.
<b>Presence Service</b>	Defined in [OMA PRESRD]
<b>Presence Source</b>	Defined in [OMA PRESRD]
<b>Presentity</b>	Defined in [OMA PRESRD]
<b>URI List</b>	A collection of URIs put together for convenience.
<b>User Agent</b>	A logical entity that can act as both a user agent client and user agent server. [RFC3261]
<b>Watcher</b>	Defined in [OMA PRESRD]
<b>Watcher Information</b>	Defined in [OMA PRESRD]
<b>Watcher Information Subscriber</b>	Defined in [OMA PRESRD]

### 3.3 Abbreviations

<b>3GPP</b>	3rd Generation Partnership Project
<b>3GPP2</b>	3rd Generation Partnership Project 2
<b>AD</b>	Architecture Document
<b>DM</b>	Device Management
<b>GAA</b>	Generic Authentication Architecture
<b>HLR</b>	Home Location Register
<b>HTTP</b>	Hyper Text Transfer Protocol
<b>IETF</b>	Internet Engineering Task Force
<b>IMS</b>	IP Multimedia Subsystem
<b>IP</b>	Internet Protocol
<b>MIME</b>	Multipurpose Internet Mail Extension



---

<b>MMD</b>	MultiMedia Domain
<b>MSC</b>	Mobile Switching Centre
<b>OMA</b>	Open Mobile Alliance
<b>PIDF</b>	Presence Information Data Format
<b>PoC</b>	Push-to-talk over Cellular
<b>PRS</b>	Presence
<b>PS</b>	Presence Server
<b>RD</b>	Requirement Document
<b>RLS</b>	Resource List Server
<b>SIMPLE</b>	SIP Instant Message and Presence Leveraging Extensions
<b>SIP</b>	Session Initiation Protocol
<b>UE</b>	User Equipment
<b>URI</b>	Uniform Resource Identifier
<b>XCAP</b>	XML Configuration Access Protocol
<b>XDM</b>	XML Document Management
<b>XDMC</b>	XDM Client
<b>XDMS</b>	XDM Server
<b>XML</b>	Extensible Markup Language

## 4. Introduction (Informative)

The OMA Presence SIMPLE enabler is a service that manages the collection and controlled dissemination of Presence Information. Multiple standards fora are working on presence. This section describes the OMA Presence SIMPLE enabler and how it relates to similar work of other industry/standards fora.

The IETF has defined protocols and formats for presence (see [RFC3265], [RFC3856], [RFC3857], [RFC3863], [RFC3903], [RFC4662], etc.). The work of OMA and other fora leverages these standards.

3GPP and 3GPP2 have defined a Presence Service framework in [3GPP TS 23.141] and [3GPP2 X.S0027-001-0]. This framework has a defined presence reference architecture both in “network layer” and “application layer” meaning that 3GPP and 3GPP2 specifications [3GPP TS 24.141] and [3GPP2 X.P0027-003-0] respectively define end-to-end Presence Information flows. The term “network layer” refers to the communication that is required between the Presence Service functional elements (e.g. PS) and various network elements as they are defined in the network architectures of 3GPP and 3GPP2 (e.g. MSC, HLR). The term “application layer” refers to the communication that is required between the various Presence Service elements (e.g. PS and Presence Source), which includes the “application layer” functional entities. OMA Presence SIMPLE is aligned with 3GPP and 3GPP2 Presence Service framework while it fulfils OMA specific requirements.

Additionally, there are presence services that exist or can be envisaged that do not leverage core network infrastructure as defined by 3GPP and 3GPP2. However, those presence services are still relevant and thus supported by this architecture.

### 4.1 Security Considerations

This section describes the mechanisms required for the secure operation of a Presence service.

#### 4.1.1 SIP Signalling Security

Mutual authentication can be performed, prior to any service interaction, between:

- a PS and a Presence Source, or
- a PS and a Watcher, or
- a PS and a Watcher Information Subscriber, or
- an RLS and a Watcher.

For an IMS realization, the PS and RLS rely on the security mechanisms provided by the SIP/IP Core network, for securing the service environments e.g. authentication of the service usage.

#### 4.1.2 XDM security

The XDM security is specified in [OMA XDMAD] "*Security Considerations*".

### 4.2 Requirements

All the requirements as defined in the [OMA PRESRD] are met with this document.

## 5. Architectural Model

### 5.1 Dependencies

#### 5.1.1 Collaboration with Service Enablers

The Presence Enabler provides a variety of services that can be invoked from other Enablers. Those Enablers can assume one or more of the following roles:

- Presence Source: publishes Presence Information to the Presence Enabler.
- Watcher: subscribes to retrieve Presence Information from the Presence Enabler.
- Watcher Information Subscriber: subscribes to retrieve Watcher Information from the Presence Enabler.
- XDMS: manages XML documents stored in the Presence XDMS and RLS XDMS.

#### 5.1.2 Collaboration with Device Management

The Device Management Enabler can be utilised to configure terminals with relevant data. The Presence Enabler does not define interfaces between Device Management Clients and Presence Sources or Watchers.

#### 5.1.3 Collaboration with XDM Enabler

The Presence SIMPLE Enabler introduces two new XDMSs – Presence XDMS and RLS XDMS. The XML documents stored in these two XDMSs can be accessed using procedures defined in XDM Enabler.

The PS has a co-located XDMS in order to interact with the Presence XDMS and the Shared XDMS. The RLS has a co-located XDMS in order to interact with the RLS XDMS and the Shared XDMS.

## 5.2 Architectural Diagram

The following figure illustrates the OMA Presence architecture:

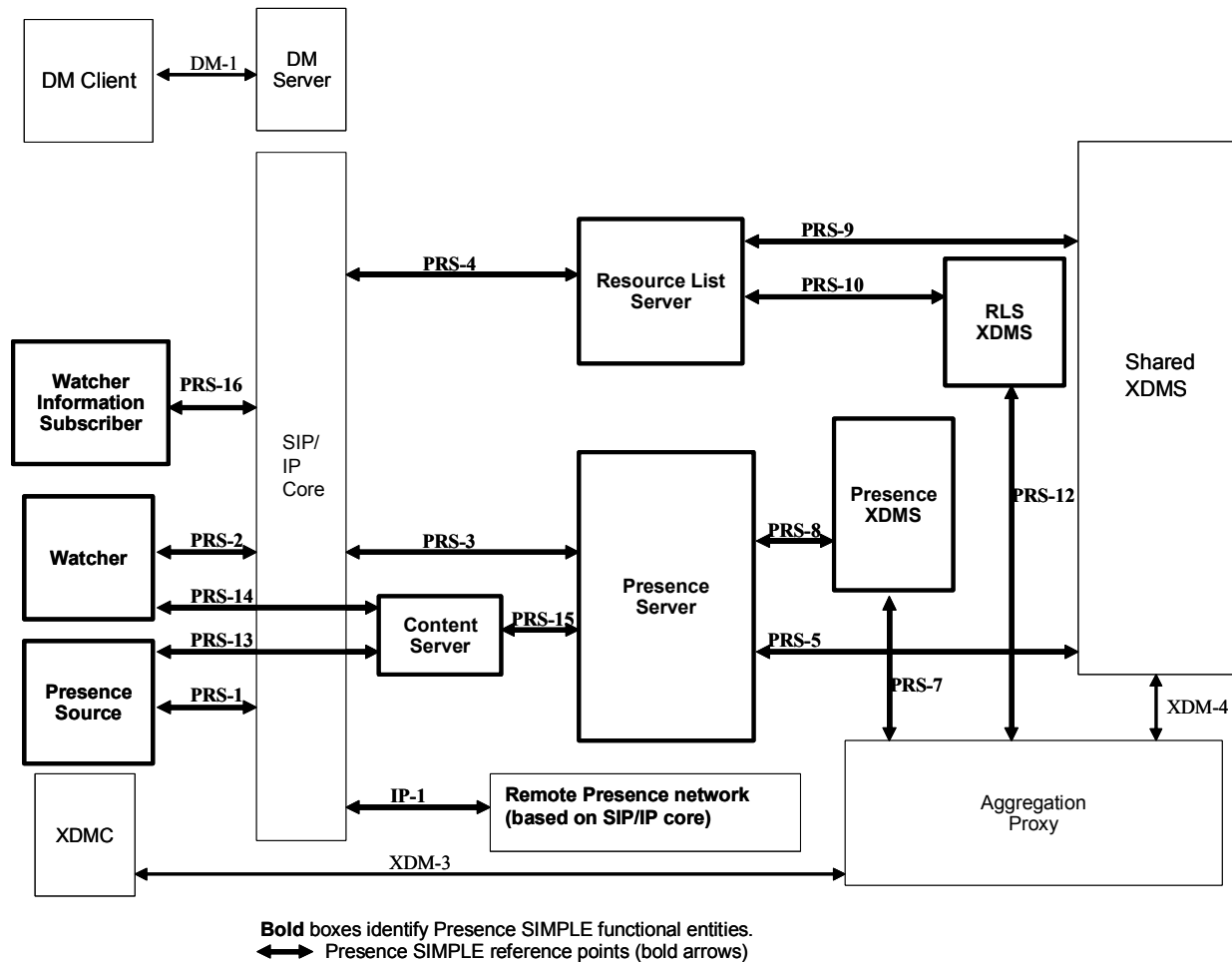


Figure 1: SIMPLE Presence Architecture

Elements shown in bold are defined in this architecture document. The remaining elements are external to this specification.

The reference points shown here in bold are those that are specified in the Presence Enabler. Other relevant reference points (XDM-3, XDM-4) are specified in the XDM Enabler [OMA XDMAD].

The access network used by the Presence architecture may include any radio or other access as well as the other nodes required to support IP connectivity and IP mobility.

## 5.3 Functional Components and Reference Points

### 5.3.1 Presence Functional Entities

This section describes the entities specified as part of the Presence Enabler.

#### 5.3.1.1 Presence Server

The PS supports the following:

- Accepts, authorizes and stores Presence Information published by Presence Sources [RFC3903].
- Composes Presence Information from Presence Sources.

- Authorizes Watchers' subscriptions and distributes Presence Information [RFC3265] [RFC3856].
- Authorizes Watcher Information Subscribers' subscriptions and distributes Watcher Information [RFC3265] [RFC3857].
- Regulates the distribution of Presence Information and Watcher Information in the manner as requested by Watchers.
- Stores or retrieves MIME objects to/from the Content Server.
- Fetches documents from the Shared XDMS and the Presence XDMS.

### 5.3.1.2 Presence Source

The Presence Source is an entity that provides Presence Information to a Presence Service. The Presence Source can be located in a user's terminal or within a network entity. The Presence Source supports the following:

- Publishes Presence Information on behalf of the Presentity according to [RFC3903].
- Stores MIME objects to the Content Server.

### 5.3.1.3 Watcher

A Watcher is an entity that requests Presence Information about a Presentity or multiple Presentities from the Presence Service. For this, a Watcher supports the following:

- Subscribes to Presentity's Presence Information [RFC3265] [RFC3856].
- Subscribes to multiple Presentities' Presence Information [RFC3265] [RFC4662].
- Retrieves MIME objects from the Content Server.
- Requests the PS to regulate the distribution of Presence Information.
- Processes Presence Information.

### 5.3.1.4 Watcher Information Subscriber

A Watcher Information Subscriber is an entity that requests Watcher Information about a Presentity from the Presence Service. For this, a Watcher Information Subscriber supports the following:

- Subscribes to Watcher Information [RFC3265] [RFC3857].
- Requests the PS to regulate the distribution of Watcher Information.

### 5.3.1.5 Resource List Server

The RLS is the functional entity that accepts and manages subscriptions to Presence Lists, which enables a Watcher application to subscribe to the Presence Information of multiple Presentities using a single subscription transaction. The RLS supports the following:

- Authorizes Watchers' subscriptions and distributes Presence Information [RFC3265] [RFC3856] [RFC 4662].
- Performs back-end subscriptions on behalf of the Watcher [RFC3265] [RFC3856] [RFC4662].
- Regulates the distribution of Presence Information in the manner as requested by Watchers [RFC4660].
- Propagates the Watcher's request to regulate the distribution of Presence Information in the back-end subscriptions [RFC4660].
- The RLS is able to fetch documents from the Shared XDMS and the RLS XDMS.

### 5.3.1.6 XML Document Management Client

The XDMC is defined in [OMA XDMAD] and supports the following function:

- Manages XML documents (e.g., Presence Authorisation Rules).

### 5.3.1.7 Presence XML Document Management Server

The Presence XDMS is an XDMS defined in [OMA XDMAD] that supports the following function:

- Manages XML documents (e.g. Presence Authorization Rules) which are specific to the use of a PS.

### 5.3.1.8 Resource List Server XML Document Management Server

The RLS XDMS is an XDMS defined in [OMA XDMAD] that supports the following function:

- Manages XML documents (e.g. Presence Lists), which are specific to the use of an RLS.

### 5.3.1.9 Content Server

The Content Server is the functional entity that is capable of managing MIME objects for Presence, allowing the Presence Sources or the PS to store MIME objects within, and support retrieval of those objects by the PS or the Watchers as required for content indirection [RFC4483].

The Content Server relies on external authentication and authorization done for the Presence Sources and Watchers. When realized with 3GPP IMS or 3GPP2 MMD networks, GAA [3GPP TS 33.222] or GBA [3GPP2 S.S0114-0] can be used for that purpose.

The authentication and authorization done by the Content Server for the PS is outside the scope of this document.

NOTE: Any usage of the Content Server for tasks not related to presence content indirection is outside the scope of this document.

## 5.3.2 External Entities Providing Services to Presence

This section describes the entities specified by other OMA Enablers or external organizations.

### 5.3.2.1 SIP/IP Core network

The SIP/IP Core is a network of servers, such as proxies and/or registrars that perform a variety of services in support of the Presence Service, such as routing, authentication, compression, etc. The specific features offered by different types of SIP/IP Core networks will depend on the particulars of those networks.

This release of the Presence Enabler utilises IMS and MMD networks. Future releases may fully specify how the Presence Enabler utilises additional types of SIP/IP Cores. It is possible that certain future deployments may not have a SIP/IP Core at all, which would be an item for further study.

When the Presence Service is realized using IMS or MMD, the Presence functional entities will utilize the capabilities of IMS as specified in 3GPP [3GPP TS 23.228] and 3GPP2 [3GPP2 X.S0013-002-A], respectively. In such cases the IMS network performs the following additional functions in support of the Presence Service:

- Routes the SIP signalling between the Presence functional entities.
- Provides discovery and address resolution services.
- Supports SIP compression/decompression.
- Performs authentication and authorization of the Presence functional entities.
- Maintains the registration state.

- Provides charging information.

### 5.3.2.2 Shared XML Document Management Server (XDMS)

The functionality of the Shared XDMS is described in [OMA XDMAD].

### 5.3.2.3 Aggregation Proxy

The functionality of the Aggregation Proxy is described in [OMA XDMAD].

### 5.3.2.4 Device Management Server

Device Management Server supports the following function that are needed in support of the Presence Service:

- Initializes and updates all the configuration parameters necessary for the Presence functional entities within the terminals (e.g. Watcher, Presence Source, etc).

### 5.3.2.5 Device Management Client

The Device Management Client performs the following functions that are needed in support of the Presence Service:

- Receives the initial configuration parameters and the updated parameters needed for Presence Service sent by the Device Management Server.

## 5.3.3 Description of the Reference Points

The Reference Points named as PRS are in scope of this Architecture.

### 5.3.3.1 Reference Point PRS-1: Presence Source – SIP/IP Core

The PRS-1 reference point supports the communication between the Presence Source and the SIP/IP Core network. The protocol for the PRS-1 reference point is SIP and the traffic is routed to and from the PS via the SIP/IP Core.

PRS-1 supports the following functions:

- Publication of Presence Information from Presence Sources to the PS according to [RFC3903].
- SIP compression/decompression when the Presence Source resides in the terminal.

When the SIP/IP Core network corresponds with 3GPP IMS or 3GPP2 MMD networks, the PRS-1 reference point conforms with the following reference points: Pep, Pex, Pen depending on the instantiation of the Presence Source (e.g. PUA, PNA, PEA) [3GPP TS 23.141], [3GPP2 X.S0027-001-0].

### 5.3.3.2 Reference Point PRS-2: Watcher – SIP/IP Core network

The PRS-2 reference point supports the communication between the Watcher and SIP/IP Core network. The protocol for the PRS-2 reference point is SIP and the traffic is routed to (and from) either PS or RLS via the SIP/IP Core.

PRS-2 is used to:

- Subscribe to a Presentity's Presence Information and receive notifications.
- Subscribe to Presence Information and receive notifications for Presence Lists.
- Include Watcher preferences in subscription requests.
- SIP compression/decompression when the Watcher resides in the terminal.

When the SIP/IP Core network corresponds with 3GPP IMS or 3GPP2 MMD networks, the PRS-2 reference point conforms with the Pw reference point [3GPP TS 23.141], [3GPP2 X.S0027-001-0].

### 5.3.3.3 Reference Point PRS-3: SIP/IP Core – Presence Server

The PRS-3 reference point supports the communication between the SIP/IP Core network and the PS. The protocol for the PRS-3 reference point is SIP.

PRS-3 supports the following functions:

- Publish Presence Information according to [RFC3903].
- Subscribe to a single Presentity's Presence Information and receive notifications pertaining to the Presentity.
- Subscribe to Watcher Information and receive notifications.
- Regulate notifications of Presence Information or Watcher Information, as requested by Watchers.

When SIP/IP Core network corresponds with 3GPP IMS or 3GPP2 MMD networks, the PRS-3 reference point conforms with the Pwp reference point [3GPP TS 23.141], [3GPP2 X.S0027-001-0].

### 5.3.3.4 Reference Point PRS-4: SIP/IP Core – Resource List Server

The PRS-4 reference point supports the communication between the SIP/IP Core network and the RLS. The protocol for the PRS-4 reference point is SIP.

PRS-4 is used to route the SIP messages from the SIP/IP Core to and from the appropriate RLS in order to:

- Receive a subscription and send aggregated notifications for a Presence List.
- Subscribe to Presence Information and receive notifications for each Presentity in a Presence List.
- Regulate the aggregated notifications of a Presence List, as requested by Watchers.
- Propagate the Watcher's request to regulate the distribution of Presence Information in the back-end subscriptions.

When SIP/IP Core network corresponds with 3GPP IMS or 3GPP2 MMD networks, the PRS-4 reference point conforms with the Pwp reference point [3GPP TS 23.141], [3GPP2 X.S0027-001-0].

### 5.3.3.5 Reference Point PRS-5: Presence Server – Shared XDM Server

The PRS-5 reference point supports the communication between the Shared XDMS and the PS. The protocol for the PRS-5 reference point is XCAP.

The PRS-5 reference point supports the following:

- Transfer of URI Lists to the PS.

### 5.3.3.6 Reference Point PRS-6: Presence XDM Server – SIP/IP Core (Void)

Use of this reference point is not supported in this release.

### 5.3.3.7 Reference Point PRS-7: Aggregation Proxy – Presence XDM Server

The PRS-7 reference point is between the Aggregation Proxy and the Presence XDMS. The protocol for the PRS-7 reference point is XCAP.

The PRS-7 reference point provides the following function:

- Presence-specific XML document management (e.g. create, modify, retrieve, delete).

### 5.3.3.8 Reference Point PRS-8: Presence Server – Presence XDM Server

The PRS-8 reference point is between the PS and the Presence XDMS. The protocol for the PRS-8 reference point is XCAP.



The PRS-8 reference point provides the following function:

- Transfer of XML documents (e.g. Presence Authorization Rules) from the Presence XDMS to the PS.

### **5.3.3.9 Reference Point PRS-9: Resource List Server – Shared XDM Server**

The PRS-9 reference point supports the communication between the Shared XDMS and the RLS. The protocol for the PRS-9 reference point is XCAP.

The PRS-9 reference point supports the following:

- Transfer of URI Lists to the RLS.

### **5.3.3.10 Reference Point PRS-10: Resource List Server – RLS XDM Server**

The PRS-10 reference point supports the communication between the RLS XDMS and the RLS. The protocol for the PRS-10 reference point is XCAP.

The PRS-10 reference point supports the following:

- Transfer of XML documents (e.g., Presence Lists) from the RLS XDMS to the RLS.

### **5.3.3.11 Reference Point PRS-11: RLS XDM Server – SIP/IP Core (Void)**

Use of this reference point is not supported in this release.

### **5.3.3.12 Reference Point PRS-12: RLS XDM Server – Aggregation Proxy**

The PRS-12 reference point is between the Aggregation Proxy and the RLS XDMS. The protocol for the PRS-12 reference point is XCAP.

The PRS-12 reference point provides the following function:

- RLS-specific document management (e.g. create, modify, retrieve, delete).

### **5.3.3.13 Reference Point PRS-13: Presence Source – Content Server**

The PRS-13 reference point is between the Presence Source and the Content Server. The protocol for the PRS-13 reference point is HTTP.

The PRS-13 reference point provides the following function:

- Storage of MIME objects related to presence publications in the Content Server.

NOTE: The Presence Source is responsible to correlate the presence publication with the MIME objects it has stored on the Content Server.

### **5.3.3.14 Reference Point PRS-14: Watcher – Content Server**

The PRS-14 reference point is between the Watcher and the Content Server. The protocol for the PRS-14 reference point is HTTP.

The PRS-14 reference point provides the following function:

- Retrieval of MIME objects related to presence notifications from the Content Server.

### **5.3.3.15 Reference Point PRS-15: Presence Server – Content Server**

The PRS-15 reference point is between the PS and the Content Server. The protocol for the PRS-15 reference point is HTTP.

The PRS-15 reference point provides the following functions:

- Retrieval of MIME objects related to presence publications from the Content Server.
- Storage of MIME objects related to presence notifications in the Content Server.

### 5.3.3.16 Reference Point PRS-16: Watcher Information Subscriber – SIP/IP Core

The PRS-16 reference point is between the Watcher Information Subscriber and the SIP/IP Core. The protocol for the PRS-16 reference point is SIP.

The PRS-16 reference point provides the following functions:

- Subscribe to Watcher Information and receive notifications.
- Include Watcher Information Subscriber preferences in subscription requests.
- SIP compression/decompression when the Watcher Information Subscriber resides in the terminal.

When the SIP/IP Core network corresponds with 3GPP IMS or 3GPP2 MMD networks, the PRS-16 reference point conforms with the Pep reference point [3GPP TS 23.141], [3GPP2 X.S0027-001-0].

### 5.3.3.17 Reference Point XDM-1: XDM Client – SIP/IP Core (Void)

Use of this reference point is not supported in this release.

### 5.3.3.18 Reference Point XDM-3: XDM Client – Aggregation Proxy

The XDM-3 reference point is described in [OMA XDMAD].

### 5.3.3.19 Reference Point XDM-2: Shared XDMS – SIP/IP Core (Void)

Use of this reference point is not supported in this release.

### 5.3.3.20 Reference Point XDM-4: Shared XDMS – Aggregation Proxy

The XDM-4 reference point is described in [OMA XDMAD].

### 5.3.3.21 Reference Point IP-1: SIP/IP Core network – Remote Presence Network (based on a SIP/IP Core)

The IP-1 reference point supports the communication between the SIP/IP Core network and a Remote Presence Network based on a SIP/IP Core network. The protocol for the IP-1 reference point is SIP.

When the SIP/IP Core network corresponds with 3GPP IMS or 3GPP2 MMD networks, the IP-1 reference point conforms with the Pw reference point as it is defined in [3GPP 23.141] and [3GPP2X.S0027-001-0].

### 5.3.3.22 Reference Point DM-1: DM Client – DM Server

The DM-1 reference point is described in [OMA DM]. The Presence Enabler will define the presence configuration object(s).

## 5.3.4 Presence Information Format

The Presence Service uses the Presence Information Data Format (PIDF) [RFC3863] and its extensions as the base format through which Presence Information is represented.

The OMA Presence Enabler defines the semantics of several presence elements, and allows for those elements to be extended. Those elements are represented in XML using the PIDF format.

## 5.3.5 Presence Authorisation Rules

The following sections describe Presence Authorisation Rules that Presentities can define to control the dissemination of their Presence Information. Presence Authorization Rules consist of Subscription Authorization Rules and Presence Content Rules.

### 5.3.5.1 Subscription Authorization Rules

Subscription Authorization Rules determine how incoming subscriptions are handled.

Subscription Authorisation Rules determine those Watchers who are allowed to subscribe to the Presence Information of a Presentity and those who are not allowed. The Subscription Authorization Rules may include lists that can be stored in the Presence XDMS or the Shared XDMS.

The Subscription Authorization Rules support the following actions:

- Accept
- Reject
- Polite block
- Deferred decision

### 5.3.5.2 Presence Content Rules

Presence Content Rules determine which Presence Information is disseminated to Watchers that have been accepted by Subscription Authorization Rules. A Presentity can define Presence Content Rules that apply to one or more Watchers.

The document containing the Presence Content Rules is stored in the Presence XDMS.

## 5.3.6 Charging

### 5.3.6.1 Charging Architecture

Both online and offline charging are supported.

## 5.3.7 Registration

When the SIP/IP Core corresponds with 3GPP/3GPP2 IMS, a UE that supports the Watcher Information Subscriber, Presence Source or Watcher functionality uses the 3GPP/3GPP2 IMS registration mechanisms [3GPP TS 23.228] [3GPP2 X.S0013-002-A].

## 5.3.8 Presence Service Provisioning

The Presence Service provider can set up the Presence Service configurations remotely in the terminal device by using the device management mechanism specified in [OMA PROAD]. The updates of the Presence Service configurations are remotely performed in the terminal device by using [OMA DM].

A terminal device containing the Watcher, Watcher Information Subscriber or Presence Source functional entities, compliant with [OMA PROUA] is able to receive the contents sent by service provider. The exact syntax and definition of parameters needed for Presence Enabler are specified in [OMA PROCONT], while the specific semantics are defined in the Presence Enabler. The bootstrap mechanism defined in [OMA PROSEC] and [OMA DM] is used to enhance the security of the provisioning.

## Appendix A. Change History

(Informative)

### A.1 Approved Version History

Reference	Date	Description
OMA-AD-Presence-SIMPLE-V1_0-20060725-A	25 Jul 2006	TP approved: OMA-TP-2006-0223R04-INP_Presence_SIMPLE_V1_0_for_final_approval
OMA-AD-Presence-SIMPLE-V1_0_1-20061128-A	28 Nov 2006	CR incorporated: OMA-PAG-2006-0390R02

### A.2 Draft/Candidate Version 1.1 History

Document Identifier	Date	Sections	Description
Draft Versions OMA-AD-Presence_SIMPLE-V1_1	01 Jul 2007	2.1, 5.3, 6, 6.1.1.1, 6.1.1.4, 6.1.1.5, 6.1.1.6, 6.1.1.7, 6.1.3.3, 6.1.3.6, 6.1.3.11, 6.1.3.16, 6.1.3.18,	Baseline based on OMA-AD-Presence_SIMPLE-V1_0_1-20061128-A, created as per OMA-PAG-2007-0400R01-INP_PRS_1_1_baseline Incorporated CR: OMA-PAG-2007-0321R03
	09 Oct 2007	5.3, 6.1.1.6, 6.1.1.7	Incorporated CRs: OMA-PAG-2007-0628 OMA-PAG-2007-0629
	23 Oct 2007	All	Incorporated CRs: OMA-PAG-2007-0631 OMA-PAG-2007-0632 OMA-PAG-2007-0633 OMA-PAG-2007-0634R01 OMA-PAG-2007-0637 OMA-PAG-2007-0639 OMA-PAG-2007-0640 OMA-PAG-2007-0653 OMA-PAG-2007-0657R01 OMA-PAG-2007-0658 OMA-PAG-2007-0659 OMA-PAG-2007-0661 OMA-PAG-2007-0662 OMA-PAG-2007-0663R01 OMA-PAG-2007-0665 OMA-PAG-2007-0666 OMA-PAG-2007-0667R02 OMA-PAG-2007-0668 OMA-PAG-2007-0669R01 OMA-PAG-2007-0670R01

Document Identifier	Date	Sections	Description
	14 Nov 2007	All	CRs included: OMA-PAG-2007-0660 OMA-PAG-2007-0664R01 OMA-PAG-2007-0757 OMA-PAG-2007-0758 OMA-PAG-2007-0759 OMA-PAG-2007-0793 OMA-PAG-2007-0794 OMA-PAG-2007-0795R01 OMA-PAG-2007-0796 OMA-PAG-2007-0797 OMA-PAG-2007-0798 OMA-PAG-2007-0802 OMA-PAG-2007-0807 OMA-PAG-2007-0813 Editorial changes to document styles and to references in 2.1.
	21 Nov 2007	2, 5	CR included: OMA-PAG-2007-810R02
	12 Dec 2007	All	Editorial changes, OMA-PAG-2007-0866, OMA-PAG-2007-0875
Candidate Versions OMA-AD-Presence_SIMPLE-V1_1	28 Jan 2008	n/a	Status changed to Candidate by TP TP ref # OMA-TP-2007-0506R02- INP_Presence_Simple_V1_1_for_Candidate_approval