



# Internal Location Protocol

## Candidate Version 2.1 – 09 Sep 2014

---

**Open Mobile Alliance**  
OMA-TS-ILP-V2\_1-20140909-C

Use of this document is subject to all of the terms and conditions of the Use Agreement located at <http://www.openmobilealliance.org/UseAgreement.html>.

Unless this document is clearly designated as an approved specification, this document is a work in process, is not an approved Open Mobile Alliance™ specification, and is subject to revision or removal without notice.

You may use this document or any part of the document for internal or educational purposes only, provided you do not modify, edit or take out of context the information in this document in any manner. Information contained in this document may be used, at your sole risk, for any purposes. You may not use this document in any other manner without the prior written permission of the Open Mobile Alliance. The Open Mobile Alliance authorizes you to copy this document, provided that you retain all copyright and other proprietary notices contained in the original materials on any copies of the materials and that you comply strictly with these terms. This copyright permission does not constitute an endorsement of the products or services. The Open Mobile Alliance assumes no responsibility for errors or omissions in this document.

Each Open Mobile Alliance member has agreed to use reasonable endeavors to inform the Open Mobile Alliance in a timely manner of Essential IPR as it becomes aware that the Essential IPR is related to the prepared or published specification. However, the members do not have an obligation to conduct IPR searches. The declared Essential IPR is publicly available to members and non-members of the Open Mobile Alliance and may be found on the “OMA IPR Declarations” list at <http://www.openmobilealliance.org/ipr.html>. The Open Mobile Alliance has not conducted an independent IPR review of this document and the information contained herein, and makes no representations or warranties regarding third party IPR, including without limitation patents, copyrights or trade secret rights. This document may contain inventions for which you must obtain licenses from third parties before making, using or selling the inventions. Defined terms above are set forth in the schedule to the Open Mobile Alliance Application Form.

**NO REPRESENTATIONS OR WARRANTIES (WHETHER EXPRESS OR IMPLIED) ARE MADE BY THE OPEN MOBILE ALLIANCE OR ANY OPEN MOBILE ALLIANCE MEMBER OR ITS AFFILIATES REGARDING ANY OF THE IPR'S REPRESENTED ON THE “OMA IPR DECLARATIONS” LIST, INCLUDING, BUT NOT LIMITED TO THE ACCURACY, COMPLETENESS, VALIDITY OR RELEVANCE OF THE INFORMATION OR WHETHER OR NOT SUCH RIGHTS ARE ESSENTIAL OR NON-ESSENTIAL.**

**THE OPEN MOBILE ALLIANCE IS NOT LIABLE FOR AND HEREBY DISCLAIMS ANY DIRECT, INDIRECT, PUNITIVE, SPECIAL, INCIDENTAL, CONSEQUENTIAL, OR EXEMPLARY DAMAGES ARISING OUT OF OR IN CONNECTION WITH THE USE OF DOCUMENTS AND THE INFORMATION CONTAINED IN THE DOCUMENTS.**

© 2014 Open Mobile Alliance Ltd. All Rights Reserved.

Used with the permission of the Open Mobile Alliance Ltd. under the terms set forth above.

# Contents

<b>1. SCOPE</b> .....	<b>12</b>
<b>2. REFERENCES</b> .....	<b>13</b>
<b>2.1 NORMATIVE REFERENCES</b> .....	<b>13</b>
<b>3. TERMINOLOGY AND CONVENTIONS</b> .....	<b>15</b>
<b>3.1 CONVENTIONS</b> .....	<b>15</b>
<b>3.2 DEFINITIONS</b> .....	<b>15</b>
<b>3.3 ABBREVIATIONS</b> .....	<b>15</b>
<b>4. INTRODUCTION</b> .....	<b>17</b>
<b>5. DETAILED FLOWS – IMMEDIATE SERVICE</b> .....	<b>18</b>
<b>5.1 NETWORK INITIATED – PROXY MODE</b> .....	<b>18</b>
5.1.1 Non-Roaming Successful Case .....	19
5.1.2 Roaming with V-SLP Positioning Successful Case .....	21
5.1.3 Roaming with H-SLP Positioning Successful Case .....	24
5.1.4 Non-Roaming Successful Case, Notification/Verification based on current location .....	28
5.1.5 Roaming with V-SLP Positioning Successful Case, Notification/Verification based on current location.....	30
5.1.6 Roaming with H-SLP Positioning Successful Case, Notification/Verification based on current location.....	34
<b>5.2 NETWORK INITIATED – NON-PROXY MODE</b> .....	<b>37</b>
5.2.1 Non-Roaming Successful Case.....	38
5.2.2 Roaming with V-SPC Positioning Successful Case.....	40
5.2.3 Roaming with H-SPC Positioning Successful Case.....	43
5.2.4 Non-Roaming Successful Case, Notification/Verification based on current location .....	47
5.2.5 Roaming with V-SPC Positioning Successful Case, Notification/Verification based on current location .....	49
5.2.6 Roaming with H-SPC Positioning Successful Case, Notification/Verification based on current location .....	53
<b>5.3 EXCEPTION PROCEDURES</b> .....	<b>57</b>
5.3.1 SET Does Not Allow Positioning for Non Roaming .....	57
5.3.2 SET Does Not Allow Positioning for Roaming with V-SLP .....	58
5.3.3 SET Does Not Allow Positioning for Roaming with H-SLP .....	60
5.3.4 SUPL Protocol Error.....	60
5.3.5 Timer expiration.....	60
<b>5.4 SET INITIATED – PROXY MODE</b> .....	<b>61</b>
5.4.1 Non-Roaming Successful Case .....	61
5.4.2 Roaming with V-SLP Positioning Successful Case .....	63
5.4.3 Roaming with H-SLP Positioning Successful Case .....	66
5.4.4 SET-Initiated Location Request of another SET.....	69
5.4.5 Location Request of Transfer Location to Third Party .....	69
<b>5.5 SET INITIATED – NON-PROXY MODE</b> .....	<b>69</b>
5.5.1 Non-Roaming Successful Case .....	70
5.5.2 Roaming with V-SPC Positioning Successful Case.....	72
5.5.3 Roaming with H-SPC Positioning Successful Case.....	74
5.5.4 SET-Initiated Location Request of another SET.....	77
5.5.5 Location Request of Transfer Location to Third Party .....	77
<b>5.6 EXCEPTION PROCEDURES</b> .....	<b>77</b>
5.6.1 SET Authorization Failure .....	77
5.6.2 SUPL Protocol Error.....	77
5.6.3 Timer expiration.....	77
<b>5.7 EMERGENCY SERVICES LOCATION REQUEST – PROXY MODE</b> .....	<b>77</b>
5.7.1 Non-Roaming Successful Case .....	78
5.7.2 Roaming with V-SLP Positioning Successful Case .....	80
<b>5.8 EMERGENCY SERVICES LOCATION REQUEST – NON-PROXY MODE</b> .....	<b>82</b>
5.8.1 Non-Roaming Successful Case .....	83
5.8.2 Roaming Successful Case with V-SPC Positioning.....	85
<b>6. DETAILED FLOWS - TRIGGERED SERVICES: PERIODIC TRIGGERS</b> .....	<b>89</b>

<b>6.1</b>	<b>NETWORK INITIATED – PROXY MODE</b> .....	<b>89</b>
6.1.1	Non-Roaming Successful Case .....	90
6.1.2	Roaming with V-SLP Positioning Successful Case .....	94
6.1.3	Roaming with H-SLP Positioning Successful Case .....	100
<b>6.2</b>	<b>NETWORK INITIATED – NON-PROXY MODE</b> .....	<b>106</b>
6.2.1	Non-Roaming Successful Case .....	106
6.2.2	Roaming with V-SPC Positioning Successful Case .....	110
6.2.3	Roaming with H-SPC Positioning Successful Case .....	116
<b>6.3</b>	<b>EXCEPTION PROCEDURES</b> .....	<b>122</b>
6.3.1	SET does not allow Triggered Position .....	122
6.3.2	Network cancels the triggered location request .....	122
6.3.3	SET cancels the triggered location request .....	123
<b>6.4</b>	<b>SET INITIATED – PROXY MODE</b> .....	<b>124</b>
6.4.1	Non-Roaming Successful Case .....	124
6.4.2	Roaming with V-SLP Positioning Successful Case .....	126
6.4.3	Roaming with H-SLP Positioning Successful Case .....	129
<b>6.5</b>	<b>SET INITIATED – NON-PROXY MODE</b> .....	<b>132</b>
6.5.1	Non-Roaming Successful Case .....	133
6.5.2	Roaming with V-SPC Positioning Successful Case .....	135
6.5.3	Roaming with H-SPC Positioning Successful Case .....	138
<b>6.6</b>	<b>SET INITIATED PERIODIC LOCATION REQUEST WITH TRANSFER TO 3<sup>RD</sup> PARTY – PROXY MODE</b> .....	<b>141</b>
6.6.1	Non-Roaming Successful Case .....	142
6.6.2	Roaming with V-SLP Positioning Successful Case .....	146
6.6.3	Roaming with H-SLP Positioning Successful Case .....	151
<b>6.7</b>	<b>SET INITIATED PERIODIC LOCATION REQUEST WITH TRANSFER TO 3<sup>RD</sup> PARTY – NON-PROXY MODE</b> .....	<b>156</b>
6.7.1	Non-Roaming Successful Case .....	156
6.7.2	Roaming with V-SPC Positioning Successful Case .....	159
6.7.3	Roaming with H-SPC Positioning Successful Case .....	164
<b>6.8</b>	<b>RETRIEVAL OF HISTORICAL POSITIONS AND/OR ENHANCED CELL SECTOR MEASUREMENTS</b> .....	<b>169</b>
6.8.1	Retrieval of Historical Position Results – non-roaming successful case .....	169
6.8.2	Retrieval of Historical Position Results – roaming successful case .....	171
<b>6.9</b>	<b>V-SLP TO V-SLP HANDOVER</b> .....	<b>172</b>
<b>6.10</b>	<b>V-SPC TO V-SPC HANDOVER</b> .....	<b>172</b>
<b>7.</b>	<b>DETAILED FLOWS - TRIGGERED SERVICES: AREA EVENT TRIGGERS</b> .....	<b>173</b>
<b>7.1</b>	<b>NETWORK INITIATED – PROXY MODE</b> .....	<b>173</b>
7.1.1	Non-Roaming Successful Case .....	174
7.1.2	Roaming with V-SLP Positioning Successful Case .....	177
7.1.3	Roaming with H-SLP Positioning Successful Case .....	181
<b>7.2</b>	<b>NETWORK INITIATED – NON-PROXY MODE</b> .....	<b>185</b>
7.2.1	Non-Roaming Successful Case .....	186
7.2.2	Roaming with V-SPC Positioning Successful Case .....	189
7.2.3	Roaming with H-SPC Positioning Successful Case .....	192
<b>7.3</b>	<b>SET INITIATED – PROXY MODE</b> .....	<b>196</b>
7.3.1	Non-Roaming Successful Case .....	197
7.3.2	Roaming with V-SLP Positioning Successful Case .....	199
7.3.3	Roaming with H-SLP Positioning Successful Case .....	203
<b>7.4</b>	<b>SET INITIATED – NON-PROXY MODE</b> .....	<b>205</b>
7.4.1	Non-Roaming Successful Case .....	206
7.4.2	Roaming with V-SPC Positioning Successful Case .....	208
7.4.3	Roaming with H-SPC Positioning Successful Case .....	211
<b>7.5</b>	<b>NETWORK/SET CAPABILITIES CHANGE FOR AREA EVENT TRIGGERED SCENARIOS</b> .....	<b>214</b>
<b>8.</b>	<b>DETAILED FLOWS – SLC/SPC HEARTBEAT</b> .....	<b>215</b>
<b>8.1</b>	<b>SUCCESSFUL PALIVE EXCHANGE</b> .....	<b>215</b>
<b>8.2</b>	<b>PALIVE ERROR HANDLING</b> .....	<b>215</b>
<b>9.</b>	<b>SECURITY CONSIDERATIONS</b> .....	<b>217</b>
<b>9.1</b>	<b>SLC-SPC SECURITY</b> .....	<b>217</b>

<b>9.2</b>	<b>NON-PROXY MODE MUTUAL AUTHENTICATION KEY REFRESH MECHANISM</b> .....	<b>217</b>
9.2.1	Mutual Authentication Key Refresh Mechanism for non roaming .....	217
9.2.2	Mutual Authentication Key Refresh Mechanism for roaming with V-SLP .....	218
9.2.3	Mutual Authentication Key Refresh Mechanism for roaming with H-SLP .....	219
<b>10.</b>	<b>PROTOCOLS AND INTERFACES</b> .....	<b>220</b>
<b>10.1</b>	<b>TCP/IP</b> .....	<b>220</b>
<b>10.2</b>	<b>LLP</b> .....	<b>220</b>
10.2.1	Positioning Control .....	220
10.2.2	Positioning Data.....	221
<b>11.</b>	<b>ILP MESSAGE DEFINITIONS (NORMATIVE)</b> .....	<b>222</b>
<b>11.1</b>	<b>COMMON PART</b> .....	<b>222</b>
<b>11.2</b>	<b>MESSAGE SPECIFIC PART</b> .....	<b>222</b>
11.2.1	PREQ .....	223
11.2.2	PRES.....	224
11.2.3	PRPT.....	225
11.2.4	PLREQ.....	225
11.2.5	PLRES .....	225
11.2.6	PINIT .....	225
11.2.7	PAUTH.....	227
11.2.8	PALIVE .....	228
11.2.9	PEND.....	228
11.2.10	PMESS.....	228
<b>12.</b>	<b>PARAMETER DEFINITIONS (NORMATIVE)</b> .....	<b>230</b>
<b>12.1</b>	<b>VERSION</b> .....	<b>230</b>
<b>12.2</b>	<b>SESSION ID2</b> .....	<b>230</b>
12.2.1	SLC Session ID.....	231
12.2.2	SET Session ID.....	231
12.2.3	SPC Session ID.....	232
<b>12.3</b>	<b>POSITIONING METHOD</b> .....	<b>232</b>
<b>12.4</b>	<b>SLP MODE</b> .....	<b>233</b>
<b>12.5</b>	<b>LOCATION ID</b> .....	<b>234</b>
12.5.1	GSM Cell Info .....	234
12.5.2	WCDMA/TD-SCDMA Cell Info.....	235
12.5.3	LTE Cell Info.....	237
12.5.4	CDMA Cell Info .....	239
12.5.5	HRPD Cell Info .....	239
12.5.6	UMB Cell Info .....	239
12.5.7	WLAN AP Info.....	240
12.5.8	WiMAX BS Info.....	243
<b>12.6</b>	<b>POSITION</b> .....	<b>245</b>
<b>12.7</b>	<b>TRIGGER PARAMS</b> .....	<b>246</b>
<b>12.8</b>	<b>SPC_SET_KEY</b> .....	<b>246</b>
<b>12.9</b>	<b>SPC-TID</b> .....	<b>246</b>
<b>12.10</b>	<b>SPC_SET_KEY_LIFETIME</b> .....	<b>246</b>
<b>12.11</b>	<b>QOP</b> .....	<b>247</b>
<b>12.12</b>	<b>SPC STATUS CODE</b> .....	<b>247</b>
<b>12.13</b>	<b>NUMBER OF FIX</b> .....	<b>247</b>
<b>12.14</b>	<b>SET CAPABILITIES</b> .....	<b>247</b>
<b>12.15</b>	<b>REQUESTED ASSISTANCE DATA</b> .....	<b>251</b>
<b>12.16</b>	<b>POSITIONING PAYLOAD</b> .....	<b>257</b>
<b>12.17</b>	<b>MULTIPLE LOCATION IDS</b> .....	<b>257</b>
<b>12.18</b>	<b>VELOCITY</b> .....	<b>258</b>
<b>12.19</b>	<b>UTRAN GPS REFERENCE TIME RESULT</b> .....	<b>259</b>
<b>12.20</b>	<b>UTRAN GANSS REFERENCE TIME RESULT</b> .....	<b>260</b>
<b>12.21</b>	<b>UTRAN GPS REFERENCE TIME ASSISTANCE</b> .....	<b>260</b>
<b>12.22</b>	<b>UTRAN GANSS REFERENCE TIME ASSISTANCE</b> .....	<b>262</b>

12.23 GNSS POSITIONING TECHNOLOGY.....263

12.24 APPROVED POSITIONING METHODS .....263

12.25 SUPPORTED POSITIONING METHODS.....265

12.26 PREFERRED POSITIONING METHOD.....266

12.27 STATUS CODE.....268

13. ASN.1 ENCODING OF ILP MESSAGES (NORMATIVE).....269

13.1 COMMON PART .....269

13.2 MESSAGE SPECIFIC PART .....270

13.2.1 PREQ .....270

13.2.2 PRES .....271

13.2.3 PRPT.....271

13.2.4 PLREQ.....271

13.2.5 PLRES .....272

13.2.6 PINIT .....272

13.2.7 PAUTH.....275

13.2.8 PALIVE .....275

13.2.9 PEND.....275

13.2.10 PMESS.....276

13.3 COMMON ELEMENTS .....276

APPENDIX A. CHANGE HISTORY (INFORMATIVE).....290

A.1 APPROVED VERSION HISTORY .....290

A.2 DRAFT/CANDIDATE VERSION 2.1 HISTORY .....290

APPENDIX B. STATIC CONFORMANCE REQUIREMENTS (NORMATIVE).....291

B.1 SCR FOR SLC .....291

B.1.1 SLC Procedures .....291

B.1.2 ILP Protocol Interface.....291

B.1.3 ILP Messages.....291

B.1.4 Support of Parameters for Optional Functions.....291

B.2 SCR FOR SPC.....293

B.2.1 SPC Procedures.....293

B.2.2 ILP Protocol Interface.....293

B.2.3 ILP Messages.....293

B.2.4 Support of Parameters for Optional Functions.....293

APPENDIX C. TIMER TABLES .....296

C.1 ILP TIMERS.....296

C.2 ULP TIMERS .....297

## Figures

Figure 1: Network Initiated Non-Roaming Successful Case – Proxy Mode .....19

Figure 2: Network Initiated Roaming Successful Case – Proxy mode with V-SLP positioning .....22

Figure 3: Network Initiated Roaming Successful case – Proxy mode with H-SLP positioning .....25

Figure 4: Notification/Verification based on current location, Network Initiated Non-Roaming Successful Case – Proxy Mode .....28

Figure 5: Notification/Verification based on current location, Network Initiated Roaming Successful Case – Proxy mode with V-SLP positioning .....31

Figure 6: Notification/Verification based on current location, Network Initiated Roaming Successful case – Proxy mode with H-SLP positioning.....35

Figure 7: Network Initiated Non-Roaming Successful Case – Non-Proxy mode .....38

<b>Figure 8: Network Initiated Roaming Successful Case – Non-Proxy-mode with V-SPC positioning .....</b>	<b>41</b>
<b>Figure 9: Network Initiated Roaming Successful Case – Non-Proxy-mode with H-SPC.....</b>	<b>44</b>
<b>Figure 10: Notification/Verification based on current location, Network Initiated Non-Roaming Successful Case – Non-Proxy mode .....</b>	<b>47</b>
<b>Figure 11: Notification/Verification based on current location, Network Initiated Roaming Successful Case – Non-Proxy-mode with V-SPC positioning.....</b>	<b>50</b>
<b>Figure 12: Notification/Verification based on current location, Network Initiated Roaming Successful Case – Non-Proxy-mode with H-SPC positioning .....</b>	<b>54</b>
<b>Figure 13: Network Initiated SET User Rejects Positioning for Non-Roaming.....</b>	<b>57</b>
<b>Figure 14: Network Initiated SET User Denies Positioning for Roaming with V-SLP .....</b>	<b>59</b>
<b>Figure 15: SET-Initiated Non-Roaming Successful Case - Proxy mode .....</b>	<b>61</b>
<b>Figure 16: SET-Initiated Roaming Successful Case – Proxy mode with V-SLP positioning .....</b>	<b>64</b>
<b>Figure 17: SET-Initiated Roaming Successful Case – Proxy mode with H-SLP positioning.....</b>	<b>67</b>
<b>Figure 18: SET-Initiated Non-Roaming Successful Case – Non-Proxy mode .....</b>	<b>70</b>
<b>Figure 19: SET-Initiated Roaming Successful Case – Non-Proxy mode with V-SPC positioning.....</b>	<b>72</b>
<b>Figure 20: SET-Initiated Roaming Successful Case – Non-Proxy mode with H-SPC positioning .....</b>	<b>75</b>
<b>Figure 21: Network Initiated Emergency Services Non-Roaming Successful Case – Proxy Mode .....</b>	<b>78</b>
<b>Figure 22: Network Initiated Emergency Services Roaming Successful Case – Proxy Mode with V-SLP positioning..</b>	<b>80</b>
<b>Figure 23: Network Initiated Non-Roaming Successful Case – Non-Proxy mode .....</b>	<b>83</b>
<b>Figure 24: Network Initiated Roaming Successful Case – Non-Proxy-mode with V-SPC positioning .....</b>	<b>86</b>
<b>Figure 25: Network Initiated Periodic Trigger Service Non-Roaming Successful Case – Proxy Mode (Part I).....</b>	<b>90</b>
<b>Figure 26: Network Initiated Periodic Trigger Service Non-Roaming Successful Case – Proxy Mode (Part II) .....</b>	<b>91</b>
<b>Figure 27: Network Initiated Periodic Trigger Service Roaming Successful Case – Proxy with V-SLP positioning (Part I) .....</b>	<b>95</b>
<b>Figure 28: Network Initiated Periodic Trigger Service Roaming Successful Case – Proxy with V-SLP positioning (Part II).....</b>	<b>96</b>
<b>Figure 29: Network Initiated Periodic Trigger Service Roaming Successful Case – Proxy with H-SLP positioning (Part I) .....</b>	<b>101</b>
<b>Figure 30: Network Initiated Periodic Trigger Service Roaming Successful Case – Proxy with H-SLP positioning (Part II).....</b>	<b>102</b>
<b>Figure 31: Network Initiated Periodic Trigger Service Non-Roaming Successful Case – Non-Proxy Mode (Part I)...</b>	<b>106</b>
<b>Figure 32: Network Initiated Periodic Trigger Service Non-Roaming Successful Case – Non-Proxy Mode (Part II) .</b>	<b>107</b>
<b>Figure 33: Network Initiated Periodic Trigger Service Roaming Successful Case – Non-Proxy with V-SPC positioning (Part I) .....</b>	<b>111</b>
<b>Figure 34: Network Initiated Periodic Trigger Service Roaming Successful Case – Non-Proxy with V-SPC positioning (Part II).....</b>	<b>112</b>

**Figure 35: Network Initiated Periodic Trigger Service Roaming Successful Case – Non-Proxy with H-SPC positioning (Part I) ..... 117**

**Figure 36: Network Initiated Periodic Trigger Service Roaming Successful Case – Non-Proxy with H-SPC positioning (Part II)..... 118**

**Figure 37: Network Initiated Triggered location, Network cancels the triggered location request .....122**

**Figure 38: Network Initiated Triggered location, SET cancels the triggered location request ..... 123**

**Figure 39: SET Initiated Periodic Trigger Service Non-Roaming Successful Case – Proxy Mode..... 124**

**Figure 40: SET Initiated Periodic Trigger Service Roaming Successful Case – Proxy with V-SLP positioning ..... 127**

**Figure 41: SET Initiated Periodic Trigger Service Roaming Successful Case – Proxy with H-SLP positioning ..... 130**

**Figure 42: SET Initiated Periodic Trigger Service Non-Roaming Successful Case – Non-Proxy Mode..... 133**

**Figure 43: SET Initiated Periodic Trigger Service Roaming Successful Case – Non-Proxy with V-SPC positioning.. 136**

**Figure 44: SET Initiated Periodic Trigger Service Roaming Successful Case – Non-Proxy with H-SPC positioning . 139**

**Figure 45: SET Periodic Trigger Service Non-Roaming Successful Case – Proxy Mode (Part I)..... 142**

**Figure 46: SET Periodic Trigger Service Non-Roaming Successful Case – Proxy Mode (Part II) ..... 143**

**Figure 47: SET Initiated Periodic Trigger Service Roaming Successful Case – Proxy with V-SLP positioning (Part I) ..... 146**

**Figure 48: SET Initiated Periodic Trigger Service Roaming Successful Case – Proxy with V-SLP positioning (Part II) ..... 147**

**Figure 49: SET Initiated Periodic Trigger Service Roaming Successful Case – Proxy with H-SLP positioning (Part I) ..... 151**

**Figure 50: SET Initiated Periodic Trigger Service Roaming Successful Case – Proxy with H-SLP positioning (Part II) ..... 152**

**Figure 51: SET Initiated Periodic Trigger Service Non-Roaming Successful Case – Non-Proxy Mode (Part I)..... 156**

**Figure 52: SET Initiated Periodic Trigger Service Non-Roaming Successful Case – Non-Proxy Mode (Part II) ..... 157**

**Figure 53: SET Initiated Periodic Trigger Service Roaming Successful Case – Non-Proxy with V-SPC positioning (Part I) ..... 160**

**Figure 54: SET Initiated Periodic Trigger Service Roaming Successful Case – Non-Proxy with V-SPC positioning (Part II)..... 161**

**Figure 55: SET Initiated Periodic Trigger Service Roaming Successful Case – Non-Proxy with H-SPC positioning (Part I) ..... 165**

**Figure 56: SET Initiated Periodic Trigger Service Roaming Successful Case – Non-Proxy with H-SPC positioning (Part II)..... 166**

**Figure 57: Retrieval of historical positions and/or enhanced cell/sector measurements – non-roaming ..... 170**

**Figure 58: Retrieval of historical positions and/or enhanced cell/sector measurements – roaming..... 171**

**Figure 59: Network Initiated Area Event Trigger Service Non-Roaming Successful Case – Proxy Mode..... 174**

**Figure 60: Network Initiated Area Event Trigger Service Roaming Successful Case – Proxy with V-SLP positioning ..... 178**



Figure 61: Network Initiated Area Event Trigger Service Roaming Successful Case – Proxy with H-SLP positioning .....182

Figure 62: Network Initiated Area Event Trigger Service Non-Roaming Successful Case – Non-Proxy Mode .....186

Figure 63: Network Initiated Area Event Trigger Service Roaming Successful Case – Non-Proxy with V-SPC positioning .....189

Figure 64: Network Initiated Area Event Trigger Service Roaming Successful Case – Non-Proxy with H-SPC positioning .....193

Figure 65: SET Initiated Area Event Trigger Service Non-Roaming Successful Case – Proxy Mode.....197

Figure 66: SET Initiated Area Event Trigger Service Roaming Successful Case – Proxy with V-SLP positioning .....200

Figure 67: SET Initiated Area Event Trigger Service Roaming Successful Case – Proxy with H-SLP positioning .....203

Figure 68: SET Initiated Area Event Trigger Service Non-Roaming Successful Case – Non-Proxy Mode .....206

Figure 69: SET Initiated Area Event Trigger Service Roaming Successful Case – Non-Proxy with V-SPC positioning .....209

Figure 70: SET Initiated Area Event Trigger Service Roaming Successful Case – Non-Proxy with H-SPC positioning .....212

Figure 71: Successful PALIVE exchange .....215

Figure 72: PALIVE Error handling.....215

Figure 73: Mutual authentication key refresh mechanism for non roaming.....217

Figure 74: Mutual authentication key refresh mechanism for roaming with V-SLP .....218

## Tables

Table 1: Llp Positioning Control .....220

Table 2: Llp Positioning Data .....221

Table 3: Common Part .....222

Table 4: PREQ Message.....224

Table 5: PRES Message.....225

Table 6: PRPT Message .....225

Table 7: PLREQ Message .....225

Table 8: PLRES Message .....225

Table 9: PINIT Message.....227

Table 10: PAUTH Message.....228

Table 11: PALIVE Message.....228

Table 12: PEND Message .....228

Table 13: PMESS Message.....229

Table 14: Version Parameter .....230

Table 15: Session ID2 Parameter .....	231
Table 16: SLC Session ID Parameter.....	231
Table 17: SET Session ID Parameter .....	232
Table 18: SPC Session ID Parameter .....	232
Table 19: Positioning Method Parameter .....	233
Table 20: SLP Mode Parameter .....	234
Table 21: Location ID Parameter.....	234
Table 22: GSM Cell Info Parameter .....	235
Table 23: WCDMA/TD-SCDMA Cell Info Parameter .....	237
Table 24: LTE Cell Info .....	239
Table 25: CDMA Cell Info.....	239
Table 26: HRPD Cell Info .....	239
Table 27: UMB Cell Info .....	240
Table 28: WLAN AP Info .....	242
Table 29: WiMAX BS Info.....	245
Table 30: Position Parameter .....	246
Table 31: Trigger Parameter .....	246
Table 32: SPC_SET_Key Parameter .....	246
Table 33: SPC-TID Parameter .....	246
Table 34: SPC_SET_Key_lifetime Parameter .....	246
Table 35: QoS Parameter.....	247
Table 36: Status Code Parameter.....	247
Table 37: Number of Fix Parameter .....	247
Table 38: SET Capabilities Parameter .....	251
Table 39: Requested Assistance Data Parameter.....	257
Table 40: Positioning Payload Parameter .....	257
Table 41: Multiple Location ID Parameter .....	258
Table 42: Velocity Parameter .....	259
Table 43: UTRAN GPS Reference Time Result.....	260
Table 44: UTRAN GANSS Reference Time Result .....	260
Table 45: UTRAN GPS Reference Time Assistance .....	262
Table 46: UTRAN GANSS Reference Time Assistance .....	263

<b>Table 47: GNSS Positioning Technology .....</b>	<b>263</b>
<b>Table 48: Approved Positioning Methods .....</b>	<b>265</b>
<b>Table 49: Supported Positioning Methods.....</b>	<b>266</b>
<b>Table 50: Preferred Positioning Method .....</b>	<b>268</b>
<b>Table 51: Status Code Parameter.....</b>	<b>268</b>
<b>Table 52: SLC Timer Values .....</b>	<b>296</b>
<b>Table 53: SPC Timer Values.....</b>	<b>297</b>
<b>Table 54: SET Timer Values.....</b>	<b>297</b>
<b>Table 55: SLP Timer Values .....</b>	<b>298</b>
<b>Table 56 RLP Timer Values .....</b>	<b>298</b>

# 1. Scope

This document describes the Internal Location Protocol (ILP) for SUPL 2.1. ILP is a protocol-level instantiation of the Llp reference point described in [SUPLAD2]. The protocol is used between the SLC (SUPL Location Center) and a SPC (SUPL Positioning Center). For more details about SUPL Requirements refer to [SUPLRD2]. For more details about SUPL architecture and call-flows, refer to [SUPLAD2] and [SUPL2 ULP TS].

## 2. References

### 2.1 Normative References

- [3GPP 25.225] 3GPP TS 25.225 “Physical Layer Measurements (TDD)”  
[URL:http://www.3gpp.org/](http://www.3gpp.org/)
- [3GPP 36.213] 3GPP TS 36.213, “ Evolved Universal Terrestrial Radio Access (E-UTRA); Physical layer procedures”  
[URL:http://www.3GPP.org/](http://www.3GPP.org/)
- [3GPP 36.321] 3GPP TS 36.321, “ Evolved Universal Terrestrial Radio Access (E-UTRA) Medium Access Control (MAC) protocol specification”  
[URL:http://www.3GPP.org/](http://www.3GPP.org/)
- [3GPP 49.031] 3GPP TS 49.031 “Base Station System Application Part LCS Extension (BSSAP-LE)”  
[URL: http://www.3gpp.org](http://www.3gpp.org)
- [3GPP GAD] 3GPP TS 23.032, “Universal Geographical Area Description (GAD)”,  
[URL: http://www.3GPP.org](http://www.3GPP.org)
- [3GPP LPP] 3GPP TS 36.355 "Evolved Universal Terrestrial Radio Access (E-UTRA); LTE Positioning Protocol (LPP)"  
[URL:http://www.3gpp.org/](http://www.3gpp.org/)
- [3GPP LTE] 3GPP TS 36.331 "Evolved Universal Terrestrial Radio Access (E-UTRA); Radio Resource Control (RRC); Protocol specification"  
[URL:http://www.3gpp.org/](http://www.3gpp.org/)
- [3GPP RRC] 3GPP TS 25.331, “Radio Resource Control (RRC) Protocol Specification”,  
[URL: http://www.3GPP.org/](http://www.3GPP.org/)
- [3GPP RRLP] 3GPP TS 44.031, “Location Services (LCS): Mobile Station (MS) – Serving Mobile Location Centre (SMLC) Radio Resource LCS Protocol (RRLP)”,  
[URL: http://www.3GPP.org/](http://www.3GPP.org/)
- [3GPP2 HRPD] 3GPP2 C.S0024-A Version 3.0, September 2006; cdma2000 High Rate Packet Data Air Interface Specification,  
[URL:http://www.3GPP.org/](http://www.3GPP.org/)
- [3GPP2 UMB] 3GPP2 C.S0084-006 Version 2.0, August 2007, "Connection Control Plane for Ultra Mobile Broadband (UMB) Air Interface Specification",  
[URL:http://www.3gpp2.org/](http://www.3gpp2.org/)
- [ASN.1] ITU-T Recommendation X.680: “Information technology – Abstract Syntax Notation One (ASN.1): Specification of basic notation”,  
[URL: http://www.itu.int/ITU-T/](http://www.itu.int/ITU-T/)
- [IEEE 802.11] IEEE 802.11  
[URL:http://www.ieee.org](http://www.ieee.org)
- [IEEE 802.11v] “Wireless Network Management” Standard, IEEE 802.11v  
[URL:http://www.ieee.org](http://www.ieee.org)
- NOTE:** The reference IEEE draft is a work in progress.
- [IEEE 802.16-2004] IEEE Std 802.16-2004, "IEEE Standard for Local and metropolitan area networks, Part 16: Air Interface for Fixed and Mobile Broadband Wireless Access Systems", IEEE, 01-Oct-2004  
[URL:http://www.ieee802.org/16/published.html](http://www.ieee802.org/16/published.html)

- [IEEE 802.16e-2005] IEEE Std 802.16e-2005 and IEEE Std 802.16-2004/Cor1-2005, "IEEE Standard for Local and metropolitan area networks, Part 16: Air Interface for Fixed and Mobile Broadband Wireless Access Systems, Amendment 2: Physical and Medium Access Control Layers for Combined Fixed and Mobile Operation in Licensed Bands, And Corrigendum 1", IEEE, 28-Feb-2006  
[URL: http://www.ieee802.org/16/published.html](http://www.ieee802.org/16/published.html)
- [OMA-LPPE] "LPP Extension Specification", Open Mobile Alliance™, [URL: http://www.openmobilealliance.org/](http://www.openmobilealliance.org/)
- [OMAOPS] "OMA Organization and Process", Version 1.6, Open Mobile Alliance™,  
[URL: http://www.openmobilealliance.org/](http://www.openmobilealliance.org/)
- [PER] ITU-T Recommendation X.691: "Information technology – ASN.1 encoding rules: Specification of Packed Encoding Rules (PER)",  
[URL: http://www.itu.int/ITU-T/](http://www.itu.int/ITU-T/)
- [RFC 2119] "Key words for use in RFCs to Indicate Requirement Levels", S. Bradner, March 1997,  
[URL: http://www.ietf.org/rfc/rfc2119.txt](http://www.ietf.org/rfc/rfc2119.txt)
- [RFC 3825] "Dynamic Host Configuration Protocol Option for Coordinate-based Location Configuration Information", J. Polk, J. Schnizlein, M. Linsner, July 2004,  
[URL: http://www.ietf.org/rfc/rfc3825.txt](http://www.ietf.org/rfc/rfc3825.txt)
- [SUPL2 ULP TS] "UserPlane Location Protocol", Version 2.1, Open Mobile Alliance™, OMA-TS-ULP-V2\_1,  
[URL: http://www.openmobilealliance.org/](http://www.openmobilealliance.org/)
- [SUPLAD2] "Secure User Plane Location Architecture", Version 2.1, Open Mobile Alliance™, OMA-AD-SUPL-V2\_1,  
[URL: http://www.openmobilealliance.org/](http://www.openmobilealliance.org/)
- [SUPLRD2] "Secure User Plane Location Requirements", Version 2.1, Open Mobile Alliance™, OMA-RD-SUPL-V2\_1,  
[URL: http://www.openmobilealliance.org/](http://www.openmobilealliance.org/)
- [TIA-553] Mobile Station -Land Station Compatibility Specification (AMPS), September 1989  
[URL: http://www.tiaonline.org/standards/](http://www.tiaonline.org/standards/)
- [TIA-801] C.S0022, Position Determination Service for cdma2000 Spread Spectrum Systems,  
[URL: http://www.3gpp2.org/Public\\_html/specs/](http://www.3gpp2.org/Public_html/specs/)
- [TLS] "Transport Layer Security (TLS) Version 1.1", IETF RFC 4346, April 2006  
[URL: http://www.ietf.org/rfc/rfc4346.txt](http://www.ietf.org/rfc/rfc4346.txt)
- [X.694] ITU-T Recommendation X.694: "Information technology – ASN.1 encoding rules: Mapping W3C XML schema definitions into ASN.1",  
[URL: http://www.itu.int/ITU-T/studygroups/com17/languages/X694.pdf](http://www.itu.int/ITU-T/studygroups/com17/languages/X694.pdf)

## 3. Terminology and Conventions

### 3.1 Conventions

The key words “MUST”, “MUST NOT”, “REQUIRED”, “SHALL”, “SHALL NOT”, “SHOULD”, “SHOULD NOT”, “RECOMMENDED”, “MAY”, and “OPTIONAL” in this document are to be interpreted as described in [RFC 2119].

All sections and appendixes, except “Scope” and “Introduction”, are normative, unless they are explicitly indicated to be informative.

### 3.2 Definitions

Location ID	The Location ID defines the current serving cell, current serving WLAN AP or current serving WiMAX BS information of the SET.
LPP	LPP [3GPP LPP] implies use of LPP only
LPPe	LPPe [OMA-LPPe] implies use of LPP and LPPe
Major Version	Major Versions are likely to contain major feature additions; MAY contain incompatibilities with previous specification revisions; and though unlikely, could change, drop, or replace standard or existing interfaces. Initial releases are “1_0”. [OMAOPS]
Minor Version	Minor versions are likely to contain minor feature additions, be compatible with the preceding Major Version. Minor specification revision include existing interfaces, although it MAY provide evolving interfaces. The initial minor release for any major release is “0”, i.e. 1_0 [OMAOPS]
Multiple Location IDs	The Multiple Location IDs parameter may contain current non-serving cell, current non-serving WLAN AP or current non-serving WiMAX BS information for the SET and/or historic serving or non-serving cell, WLAN AP or WiMAX BS information for the SET.
Quality of Position	A set of attributes associated with a request for the geographic position of SET. The attributes include the required horizontal accuracy, vertical accuracy, max location age, and response time of the SET position.
Service Indicator	Service Indicators are intended to be compatible with the Major_Minor release they relate to but add bug fixes. No new functions will be added through the release of Service Indicators. [OMAOPS]
SUPL Roaming	For positioning not associated with an emergency services call, SUPL Roaming occurs when a SET leaves the service area of its H-SLP. See [SUPL2 ULP TS] for a more detailed description. In the case of service from a D-SLP, the H-SLP will normally assign a geographic service area within which the SET may access the D-SLP. Service from a D-SLP where the SET is roaming outside the assigned service area of the D-SLP is not supported.

### 3.3 Abbreviations

<b>A-GNSS</b>	Assisted GNSS
<b>A-GPS</b>	Assisted GPS
<b>AP</b>	Access Point (WLAN)
<b>BDS</b>	BeiDou Navigation Satellite System
<b>BS</b>	Base Station (WiMAX)
<b>CI</b>	Cell Identity (3GPP)
<b>D-SLP</b>	Discovered SLP
<b>FQDN</b>	Fully Qualified Domain Name
<b>GANSS</b>	Galileo and Additional Navigation Satellite Systems
<b>GLONASS</b>	<b>G</b> LObal'naya <b>N</b> avigatsionnaya <b>S</b> putnikovaya <b>S</b> istema (Engl.: Global Navigation Satellite System)
<b>GNSS</b>	Global Navigation Satellite System
<b>GPS</b>	Global Positioning System

<b>LAC</b>	Location Area Code (3GPP)
<b>Lid</b>	Location ID
<b>LPP</b>	LTE Positioning Protocol
<b>LPPE</b>	LTE Positioning Protocol Extensions
<b>LTE</b>	Long Term Evolution
<b>MCC</b>	Mobile Country Code (3GPP)
<b>MNC</b>	Mobile Network Code (3GPP)
<b>NID</b>	Network ID (C.S0022-A V1.0 )
<b>OMA</b>	Open Mobile Alliance
<b>QoP</b>	Quality of Position
<b>QZSS</b>	Quasi-Zenith Satellite System
<b>RNC</b>	Radio Network Controller
<b>SBAS</b>	Satellite Based Augmentation System
<b>SET</b>	SUPL Enabled Terminal
<b>SID</b>	System ID (C.S0022-A V1.0 )
<b>SLC</b>	SUPL Location Center
<b>SLP</b>	SUPL Location Platform
<b>SM</b>	Short Message
<b>SMS</b>	Short Message Service
<b>SPC</b>	SUPL Positioning Center
<b>TCP</b>	Transmission Control Protocol
<b>TD-SCDMA</b>	Time Division-Synchronous Code Division Multiple Access
<b>ULP</b>	Userplane Location Protocol
<b>UMB</b>	Ultra Mobile Broadband
<b>WAP</b>	Wireless Application Protocol
<b>WCDMA</b>	Wideband Code Division Multiple Access
<b>WLAN</b>	Wireless Local Area Network



## 4. Introduction

This specification describes the ILP protocol release 2.1, a protocol-level instantiation of the Llp reference point. The Llp reference point was introduced in SUPL in release 2.0. Use of ILP allows SUPL operators to use an open interface (Llp) between the SLC and the SPC. Whether or not Llp is present in a particular implementation is optional. The presence (or absence) of Llp in a particular implementation is transparent to SUPL. The presence of Llp in an implementation does not in itself imply that SLC and SPC are deployed as physically separate network elements.

## 5. Detailed Flows – Immediate Service

The flows in this section are those in which an immediate position is required.

### Set up and release of connections:

Before sending any ULP messages the SET SHALL take needed actions such that a TLS connection exists to the SLP/SLC. This can be achieved by establishing a new connection, resume a connection or reuse an existing TLS connection. This includes establishment or utilization of various data connectivity resources that depends on the terminal in which the SET resides and the type of access network. Data connectivity below IP-level is out of scope of this document.

The detailed flows in this section describe when a TLS connection no longer is needed. The TLS connection shall then be released unless another SUPL session is using the TLS connection.

NOTE: ILP message flows described in this section are limited to the H-SLP and E-SLP, respectively. D-SLP ILP message flow scenarios (i.e., message flows between the D-SLC and the D-SPC) are not shown since they are identical to H-SLP ILP message flows where applicable. The D-SLP for SUPL 2.1 only applies to proxy mode message flows.

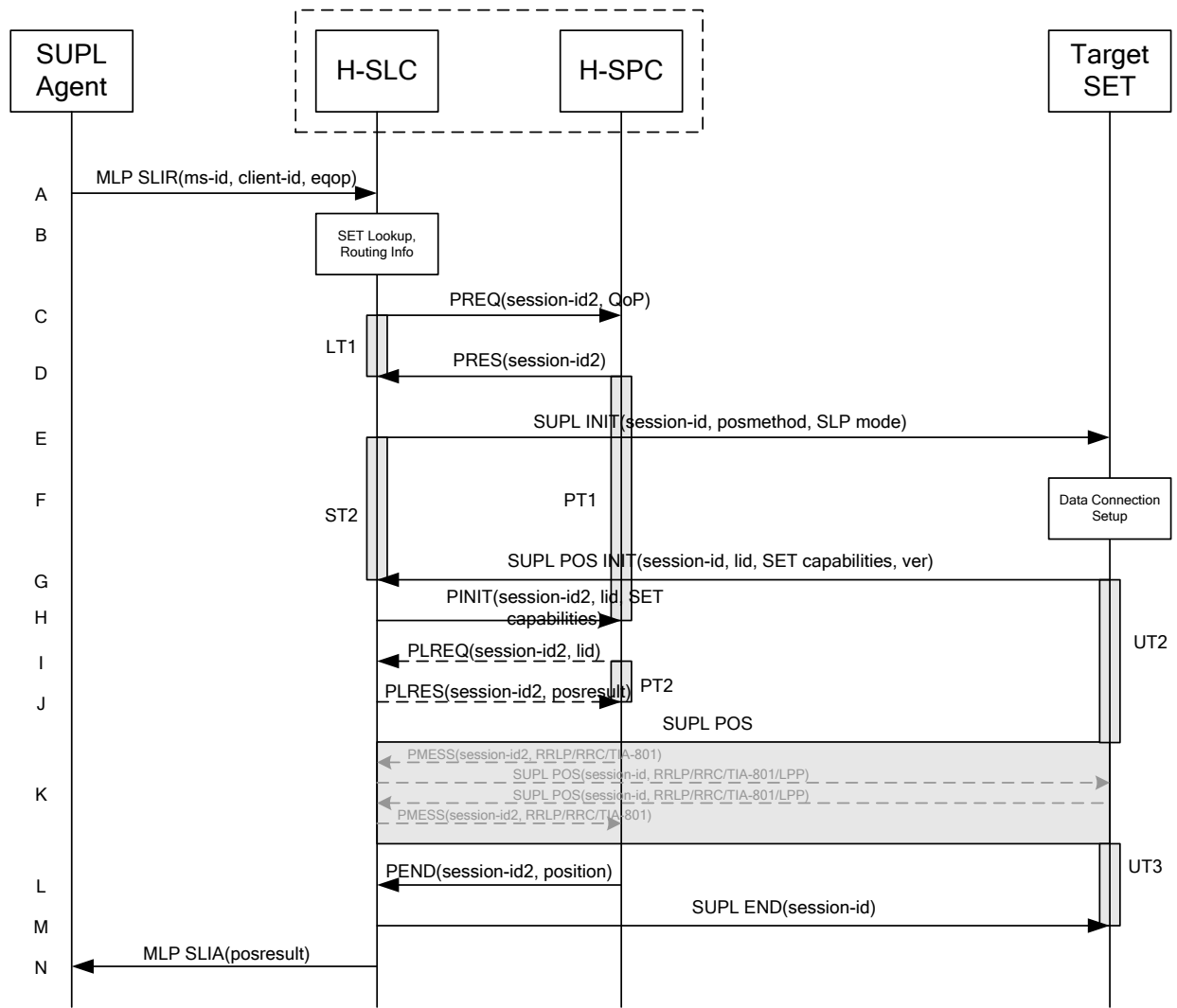
Note regarding the use of LPP and LPPe in SUPL 2.0: It is possible to use LPP (by itself) or in combination with LPPe (LPP+LPPe) as a positioning protocol. Thereby the following convention applies: *LPP* implies use of *LPP only* (i.e. without LPPe); *LPPe* implies use of *LPP and LPPe*; and *LPP/LPPe* implies use of either *LPP* without *LPPe* or *LPP* with *LPPe*. A SUPL POS (RRLP/RRC/TIA-801/LPP/LPPe) message means a SUPL POS message carrying either RRLP, RRC, TIA-801, LPP or LPP+LPPe positioning payload.

### 5.1 Network Initiated – Proxy Mode

This section describes Network Initiated Proxy mode scenarios.

The Roaming cases are described with an R-SLC in the flow descriptions but the R-SLC can be omitted in the flow descriptions having the H-SLP interacting directly with SUPL Agent. In the Non-Roaming flow descriptions an R-SLC can be inserted between SUPL Agent and H-SLP.

### 5.1.1 Non-Roaming Successful Case



**Figure 1: Network Initiated Non-Roaming Successful Case – Proxy Mode**

NOTE 1: See Appendix C for timer descriptions.

- A. The SUPL Agent issues an MLP SLIR message to the H-SLC, with which SUPL Agent is associated. The H-SLC shall authenticate the SUPL Agent and check if the SUPL Agent is authorized for the service it requests, based on the client-id received. Further, based on the received ms-id the H-SLC shall apply subscriber privacy against the client-id.  
If a previously computed position which meets the requested QoP is available at the H-SLC and no notification or verification is required, the H-SLC SHALL directly proceed to step N. If notification and verification or notification only is required, the H-SLC SHALL proceed to step E after having performed the SET Lookup and Routing Info procedures of step B.
- B. The H-SLC verifies that the target SET is currently not SUPL Roaming.  
The H-SLC MAY also verify that the target SET supports SUPL.

NOTE 2: The specifics for determining if the SET is SUPL Roaming or not is considered outside the scope of SUPL. However, there are various environment dependent mechanisms.

NOTE 3: The specifics for determining if the SET supports SUPL are beyond SUPL 2.1 scope.

- C. The H-SLC requests service from the H-SPC for a SUPL session by sending a PREQ message containing the session-id2 and the QoP. The H-SLC MAY include its approved positioning methods for this session. If the approved positioning methods are not included, the H-SPC SHALL assume that all its available positioning methods have been approved.
- D. The H-SPC accepts the service request for a SUPL session from the H-SLC with a PRES message containing the session-id2. The H-SPC MAY include a preferred positioning method in the PRES. The H-SPC MAY include its supported positioning methods in the PRES.
- E. The H-SLC initiates the location session with the SET using the SUPL INIT message. The SUPL INIT message contains at least session-id, proxy/non-proxy mode indicator and the intended positioning method. If the result of the privacy check in Step A indicates that subscriber privacy check based on current location is required, the H-SLP SHALL set notification mode to notification based on current location and SHALL NOT include the notification element in the SUPL INIT message; otherwise, the H-SLP SHALL set the notification mode indicator to normal notification and if notification or verification to the target subscriber is needed, the H-SLP SHALL also include the notification element in the SUPL INIT message. Before the SUPL INIT message is sent the H-SLC also computes and stores a hash of the message.  
If in step A the H-SLC decided to use a previously computed position, the SUPL INIT message SHALL indicate this in a 'no position' posmethod parameter value and the SET SHALL respond with a SUPL END message carrying the results of the verification process (access granted, or access denied). If no explicit verification is required (notification only) the SET SHALL respond with a SUPL END message. The H-SLC SHALL then directly proceed to step N.

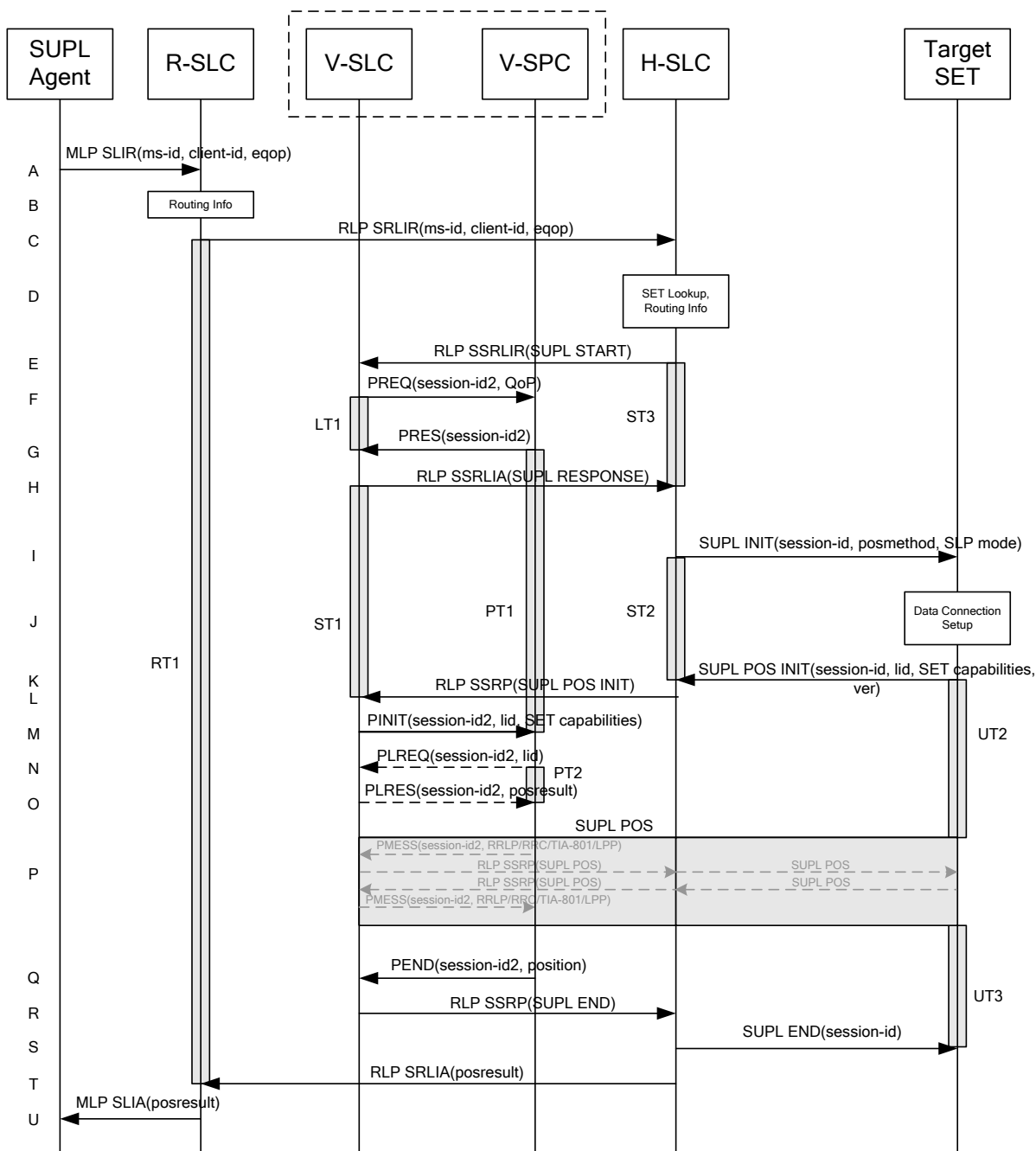
NOTE 4: Before sending the SUPL END message the SET SHALL perform the data connection setup procedure of step F and use the procedures described in step G to establish a secure connection to the H-SLC.

- F. The SET analyses the received SUPL INIT. If found to be non authentic SET takes no further actions. Otherwise the SET takes needed action preparing for establishment or resumption of a secure connection.
- G. The SET will evaluate the Notification rules and follow the appropriate actions. The SET also checks the proxy/non-proxy mode indicator to determine if the H-SLP uses proxy or non-proxy mode. In this case, proxy mode is used, and the SET SHALL establish a secure connection to the H-SLC using SLP address that has been provisioned by the Home Network to the SET. The SET then sends a SUPL POS INIT message to start a positioning session with the H-SLP. The SET SHALL send the SUPL POS INIT message even if the SET supported positioning technologies do not include the intended positioning method indicated in the SUPL INIT message. The SUPL POS INIT message contains at least session-id, SET capabilities, a hash of the received SUPL INIT message (ver) and Location ID. The SET capabilities include the supported positioning methods (e.g., SET-Assisted A-GPS, SET-Based A-GPS) and associated positioning protocols (e.g., RRLP, RRC, TIA-801 or LPP/LPPe). The SET MAY provide NMR specific for the radio technology being used (e.g., for GSM: TA, RXLEV). The SET MAY provide its position, if this is supported. The SET MAY set the Requested Assistance Data element in the SUPL POS INIT. The H-SLC SHALL check that the hash of SUPL INIT matches the one it has computed for this particular session.
- H. The H-SLC sends a PINIT message to the H-SPC including session-id2, location id and SET capabilities. The H-SLC MAY include a posmethod in the PINIT. This posmethod may either be the posmethod recommended by the H-SPC in step D, or a different posmethod of the H-SLC's choosing, as long as it is one supported by the H-SPC. Based on the PINIT message including the SET capabilities, the H-SPC SHALL then determine the posmethod. If a posmethod has been included in the PINIT by the H-SLC, the H-SPC SHALL use that posmethod, unless it does not meet the SET capabilities. If no posmethod parameter was included in the PINIT, the H-SPC shall choose any posmethod in line with the SET capabilities which was approved by the H-SLC in step C. If required for the posmethod the H-SPC SHALL use the supported positioning protocol (e.g. RRLP, RRC, TIA-801 or LPP/LPPe) from the PINIT message. If a position received from or calculated based on information received in the PINIT message is available that meets the required QoP, the H-SPC MAY directly proceed to step L and not engage in a SUPL POS session.
- I. If the H-SPC cannot translate the lid received in step H into a position, the H-SPC sends a PLREQ message to the H-SLC. The PLREQ message contains the session-id2 and the lid. This step is optional and not required if the H-SPC can perform the translation from lid into a position itself.

- J. This step is conditional and only occurs if step I was performed. The H-SLC reports the position result back to the H-SPC in a PLRES message. PLRES contains the session-id2 and the posresult. If the position meets the required QoP, the H-SPC MAY directly proceed to step L and not engage in a SUPL POS session.
- K. The SET and the H-SPC exchange several successive positioning procedure messages. Thereby the positioning procedure payload (RRLP/RRC/TIA-801/LPP/LPPe) is transferred between the H-SPC and the H-SLC using PMESS messages. PMESS includes the session-id2 and the positioning procedure payload (RRLP/RRC/TIA-801/LPP/LPPe). The positioning procedure payload (RRLP/RRC/TIA-801/LPP/LPPe) is transferred between the H-SLC and the SET using SUPL POS messages (the PMESS – SUPL POS – SUPL POS – PMESS message exchange is conceptually shown in dotted lines).  
The H-SPC calculates the position estimate based on the received positioning measurements (SET-Assisted) or the SET calculates the position estimate based on assistance obtained from the H-SLP (SET-Based).
- L. Once the position calculation is complete the H-SPC sends a PEND message to the H-SLC.
- M. The H-SLC sends a SUPL END message to the SET informing it that no further positioning procedure will be started and that the location session is finished. The SET SHALL release the secure connection to the H-SLC and release all resources related to this session.
- N. The H-SLC sends the position estimate back to the SUPL Agent in an MLP SLIA message and the H-SLP SHALL release all resources related to this session.

### 5.1.2 Roaming with V-SLP Positioning Successful Case

SUPL Roaming where the V-SLP is involved in the positioning calculation.



**Figure 2: Network Initiated Roaming Successful Case – Proxy mode with V-SLP positioning**

NOTE 1: See Appendix C for timer descriptions.

- A. The SUPL Agent issues an MLP SLIR message to the R-SLC, with which SUPL Agent is associated. The R-SLC SHALL authenticate the SUPL Agent and check if the SUPL Agent is authorized for the service it requests, based on the client-id received.

- B. The R-SLC determines the H-SLC based on the received msid.

NOTE 2: The specifics for determining the H-SLC are considered outside scope of SUPL. However, there are various environment dependent mechanisms.

- C. The R-SLC then forwards the location request to the H-SLC of the target subscriber, using RLP protocol. Based on the received ms-id the H-SLC SHALL apply subscriber privacy against the client-id. If a previously computed position which meets the requested QoP is available at the H-SLC and no notification or verification is required, the H-SLC SHALL directly proceed to step U. If notification and verification or notification only is required, the H-SLC SHALL proceed to step I after having performed step D.
- D. The H-SLC verifies that the target SET is currently SUPL Roaming. In addition the H-SLC MAY also verify that the target SET supports SUPL.

NOTE 3: The specifics for determining if the SET is SUPL Roaming or not is considered outside the scope of SUPL. However, there are various environment dependent mechanisms.

NOTE 4: The specifics for determining if the SET supports SUPL are beyond SUPL 2.1 scope

- E. The H-SLC sends an RLP SSRLIR to the V-SLC to inform the V-SLC that the target SET will initiate a SUPL positioning procedure. Mandatory parameters in SUPL START that are not known to the H-SLC (lid and SET capabilities) shall be populated with arbitrary values by the H-SLC and be ignored by V-SLC. The SET part of the session-id will not be included in this message by the H-SLC to distinguish this scenario from a SET Initiated scenario.
- F. The V-SLC requests service from the V-SPC for a SUPL session by sending a PREQ message containing the session-id2 and the QoP. The V-SLC MAY include its approved positioning methods for this session. If the approved positioning methods are not included, the V-SPC SHALL assume that all its available positioning methods have been approved.
- G. The V-SPC accepts the service request for a SUPL session from the V-SLC with a PRES message containing the session-id2. The V-SPC MAY include a preferred positioning method in the PRES. The V-SPC MAY include its supported positioning methods in the PRES.
- H. The V-SLC acknowledges that it is ready to initiate a SUPL positioning procedure with an RLP SSRLIA back to the H-SLC.
- I. The H-SLC initiates the location session with the SET using the SUPL INIT message. The SUPL INIT message contains at least session-id, proxy/non-proxy mode indicator and the intended positioning method. If the result of the privacy check in Step C indicates that notification or verification to the target subscriber is needed, the H-SLC SHALL also include the Notification element in the SUPL INIT message. Before the SUPL INIT message is sent the H-SLC also computes and stores a hash of the message.  
If in step C the H-SLC decided to use a previously computed position the SUPL INIT message SHALL indicate this in a 'no position' posmethod parameter value and the SET SHALL respond with a SUPL END message to the H-SLC carrying the results of the verification process (access granted, or access denied). If no verification is required (notification only) the SET SHALL respond with a SUPL END message to the H-SLC. The H-SLP SHALL then directly proceed to step U.

NOTE 5: Before sending the SUPL END message the SET SHALL perform the data connection setup procedure of step J and use the procedures described in step K to establish a secure connection to the H-SLC.

- J. The SET analyses the received SUPL INIT. If it is found to be non authentic, the SET takes no further action. Otherwise the SET takes needed action preparing for establishment or resumption of a secure connection..
- K. The SET will evaluate the Notification rules and follow the appropriate actions. The SET also checks the proxy/non-proxy mode indicator to determine if the SLP uses proxy or non-proxy mode. In this case, proxy mode is used, and the SET SHALL establish a secure connection to the H-SLC using the H-SLP address that has been provisioned by the Home Network to the SET. The SET then sends a SUPL POS INIT message to start a positioning session with the H-SLC. The SET SHALL send the SUPL POS INIT message even if the SET supported positioning technologies do not include the intended positioning method indicated in the SUPL INIT message. The SUPL POS INIT message contains at least session-id, SET capabilities, a hash of the received SUPL INIT message (ver) and Location ID (lid). The SET capabilities include the supported positioning methods (e.g., SET-Assisted A-GPS, SET-Based A-GPS) and associated positioning protocols (e.g., RRLP, RRC, TIA-801 or LPP/LPPe). The SET MAY

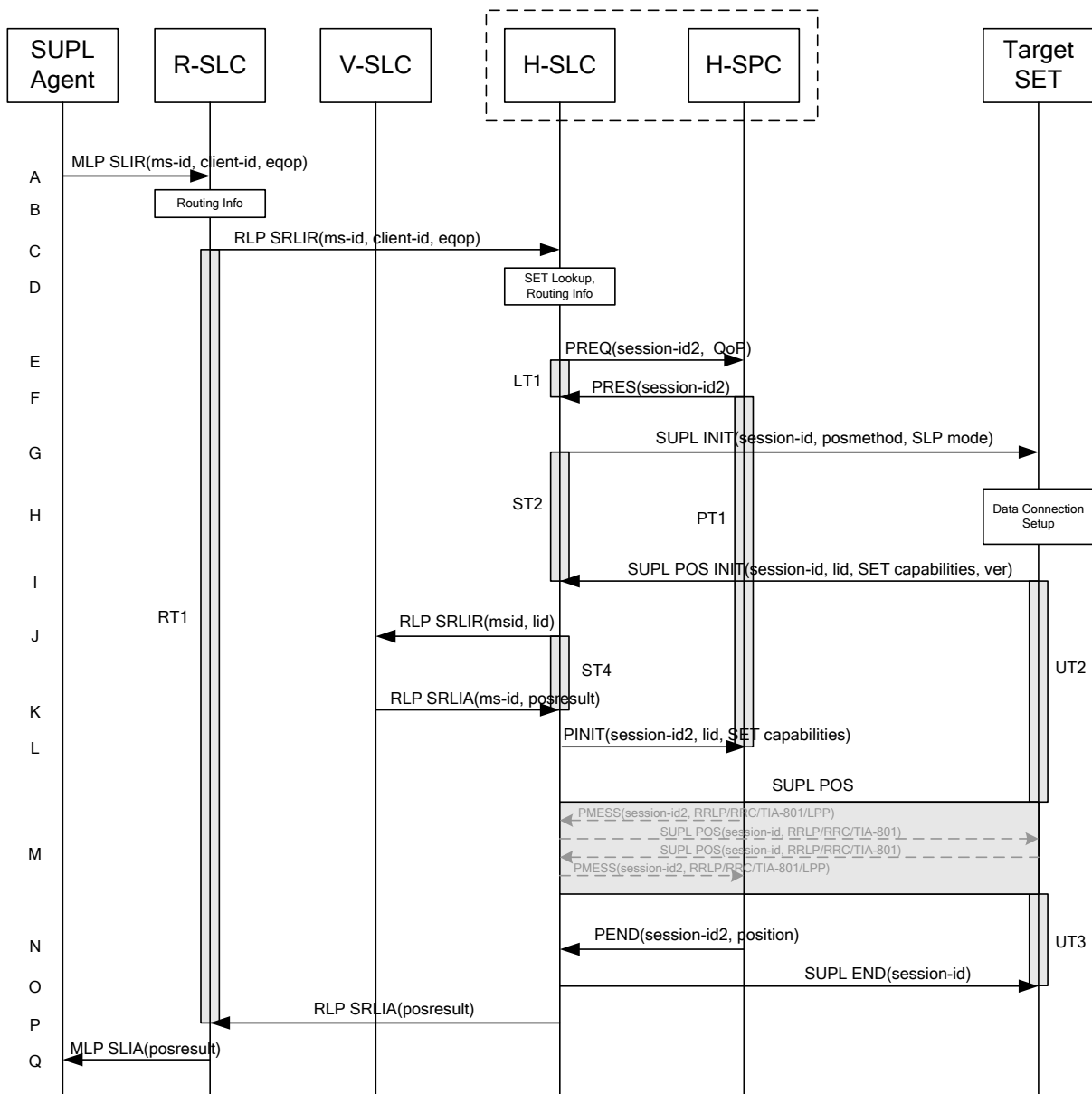
optionally provide NMR specific for the radio technology being used (e.g., for GSM: TA, RXLEV). The SET MAY provide its position, if this is supported. The SET MAY set the Requested Assistance Data element in the SUPL POS INIT.

- L. The H-SLC SHALL check that the hash of SUPL INIT matches the one it has computed for this particular session. The H-SLC then tunnels the SUPL POS INIT message to the V-SLC using RLP.
- M. The V-SLC sends a PINIT message to the V-SPC including session-id2, location id and SET capabilities. The V-SLC MAY include a posmethod in the PINIT. This posmethod may either be the posmethod recommended by the V-SPC in step G, or a different posmethod of the V-SLC's choosing, as long as it is one supported by the V-SPC. Based on the PINIT message including the SET capabilities, the V-SPC SHALL determine the posmethod. If a posmethod has been included in the PINIT by the V-SLC, the V-SPC SHALL use that posmethod, unless it does not meet the SET capabilities. If no posmethod parameter was included in the PINIT, the V-SPC shall choose any posmethod in line with the SET capabilities which was approved by the V-SLC in step F. If required for the posmethod the V-SPC SHALL use the supported positioning protocol (e.g., RRLP, RRC, TIA-801 or LPP/LPPe) from the PINIT message. If an initial position calculated based on information received in the PINIT message is available that meets the required QoP, the V-SPC MAY directly proceed to step Q and not engage in a SUPL POS session.
- N. If the V-SPC cannot translate the lid received in step M into an initial position, the V-SPC sends a PLREQ message to the V-SLC. The PLREQ message contains the session-id2 and the lid. This step is optional and not required if the V-SPC can perform the translation from lid into an initial position itself.
- O. This step is conditional and only occurs if step N was performed. The V-SLC reports an initial position result back to the V-SPC in a PLRES message. PLRES contains the session-id2 and the posresult. If the initial position meets the required QoP, the V-SPC MAY directly proceed to step Q and not engage in a SUPL POS session.
- P. The SET and the V-SPC exchange several successive positioning procedure messages. Thereby the positioning procedure payload (RRLP/RRC/TIA-801/LPP/LPPe) is transferred between the V-SPC and the V-SLC using PMESS messages. PMESS includes the session-id2 and the positioning procedure payload (RRLP/RRC/TIA-801/LPP/LPPe). The positioning procedure payload (RRLP/RRC/TIA-801/LPP/LPPe) is transferred between the V-SLC and the H-SLC using SUPL POS over RLP tunnel messages. The positioning procedure payload (RRLP/RRC/TIA-801/LPP/LPPe) is transferred between the H-SLC and the SET using SUPL POS messages. The flow sequence PMESS – RLP SSRP(SUPL POS) – SUPL POS – SUPL POS – RLP SSRP(SUPL POS) – PMESS is conceptually shown in dotted lines.  
The V-SPC calculates the position estimate based on the received positioning measurements (SET-Assisted) or the SET calculates the position estimate based on assistance obtained from the V-SPC (SET-Based).
- Q. Once the position calculation is complete, the V-SPC sends a PEND message to the V-SLC.
- R. The V-SLC sends a SUPL END message to the H-SLC over RLP.
- S. The H-SLC sends the SUPL END message to the SET informing it that no further positioning procedure will be started and that the location session is finished. The SET SHALL release the secure connection to the H-SLC and release all resources related to this session.
- T. The H-SLC sends the position estimate back to the R-SLC using an RLP SRLIA message. The H-SLC SHALL release all resources related to this session.
- U. The R-SLC sends the position estimate back to the SUPL Agent using an MLP SLIA message.

### 5.1.3 Roaming with H-SLP Positioning Successful Case

SUPL Roaming where the H-SLP is involved in the positioning calculation.





**Figure 3: Network Initiated Roaming Successful case – Proxy mode with H-SLP positioning**

NOTE 1: See Appendix C for timer descriptions.

A. The SUPL Agent issues an MLP SLIR message to the R-SLC, with which the SUPL Agent is associated. The R-SLC SHALL authenticate the SUPL Agent and check if the SUPL Agent is authorized for the service it requests, based on the client-id received.

B. The R-SLC determines the H-SLC based on the received msid.

NOTE 2: The specifics for determining the H-SLC are considered outside scope of SUPL. However, there are various environment dependent mechanisms.

C. The R-SLC then forwards the location request to the H-SLC of the target subscriber, using RLP protocol. Based on the received msid the H-SLC SHALL apply subscriber privacy against the client-id. If a previously computed position which meets the requested QoP is available at the H-SLC and no notification or verification is required, the H-SLC SHALL directly proceed to step Q. If notification and verification or notification only is required, the H-SLP SHALL proceed to step G after having performed step D.

- D. The H-SLC verifies that the target SET is currently SUPL Roaming. In addition the H-SLC MAY also verify that the target SET supports SUPL.

NOTE 3: The specifics for determining if the SET is SUPL Roaming or not is considered outside scope of SUPL. However, there are various environment dependent mechanisms.

NOTE 4: Alternatively, the H-SLP may determine whether the SET is SUPL Roaming in a later step using the location identifier (lid) received from the SET.

NOTE 5: The specifics for determining if the SET supports SUPL are beyond SUPL 2.1 scope.

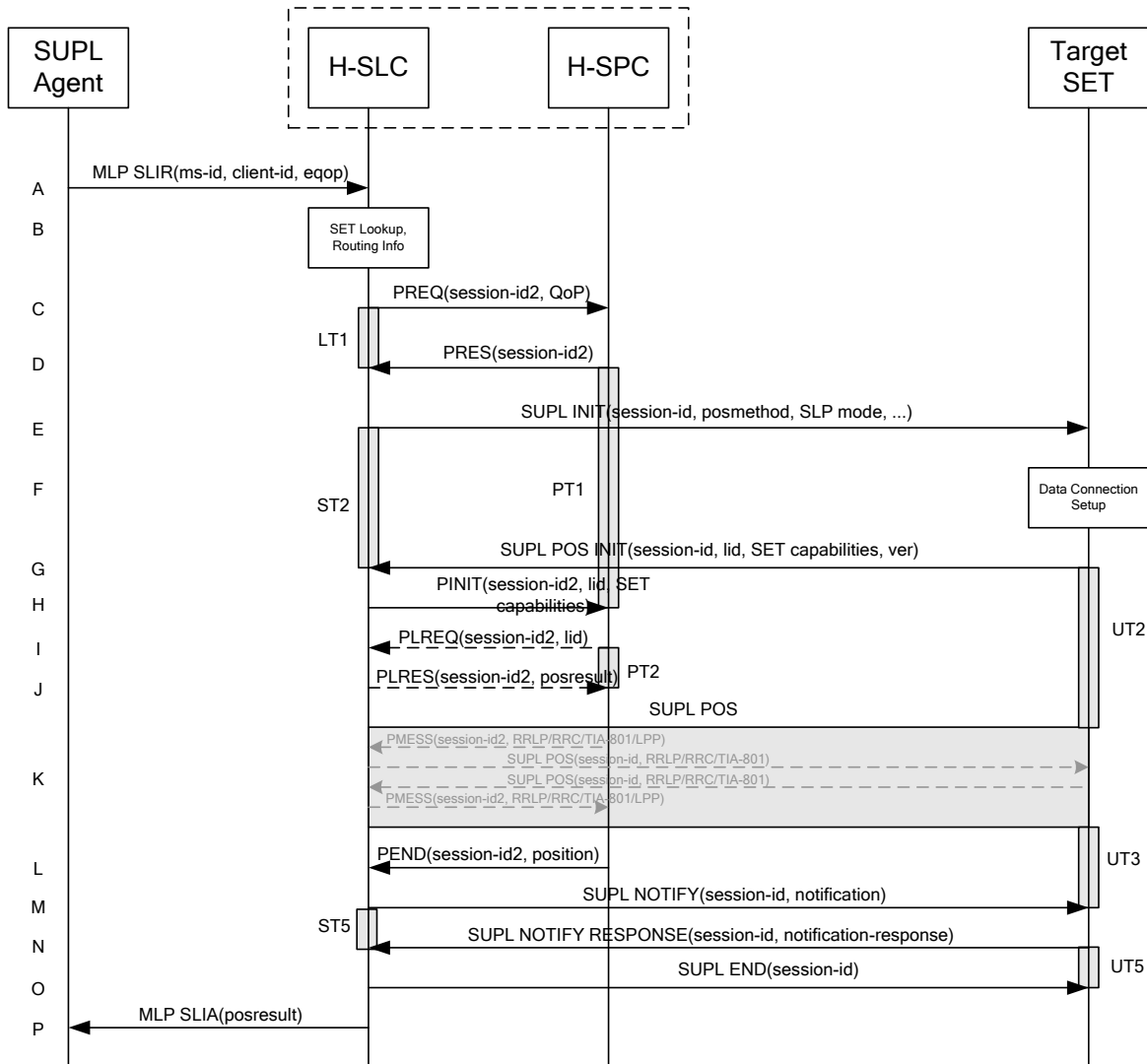
- E. The H-SLC requests service from the H-SPC for the SUPL session by sending a PREQ message containing the session-id2 and the QoP. The H-SLC MAY include its approved positioning methods for this session. If the approved positioning methods are not included, the H-SPC SHALL assume that all its available positioning methods have been approved.
- F. The H-SPC confirms its readiness for a SUPL session with a PRES message containing the session-id2. The H-SPC MAY include a preferred positioning method in the PRES. The H-SPC MAY include its supported positioning methods in the PRES.
- G. The H-SLC initiates the location session with the SET using the SUPL INIT message. The SUPL INIT message contains at least session-id, proxy/non-proxy mode indicator and the intended positioning method. If the result of the privacy check in Step indicates that notification or verification to the target subscriber is needed, the H-SLC SHALL also include the Notification element in the SUPL INIT message. Before the SUPL INIT message is sent the H-SLC also computes and stores a hash of the message.  
If in step C the H-SLC decided to use a previously computed position the SUPL INIT message SHALL indicate this in a 'no position' posmethod parameter value and the SET SHALL respond with a SUPL END message to the H-SLC carrying the results of the verification process (access granted, or access denied). If no verification is required (notification only) the SET SHALL respond with a SUPL END message to the H-SLC. The H-SLC SHALL then directly proceed to step Q.

NOTE 6: Before sending the SUPL END message the SET shall follow the data connection setup procedure of step H and use the procedures described in step I to establish a secure connection to the H-SLC.

- H. The SET analyses the received SUPL INIT. If it is found to be non authentic, the SET takes no further action. Otherwise the SET takes needed action preparing for establishment or resumption of a secure connection.
- I. The SET will evaluate the Notification rules and follow the appropriate actions. The SET also checks the proxy/non-proxy mode indicator to determine if the H-SLP uses proxy or non-proxy mode. In this case, proxy mode is used, and the SET SHALL establish a secure connection to the H-SLC using the H-SLP address that has been provisioned by the Home Network to the SET. The SET then sends a SUPL POS INIT message to start a positioning session with the H-SLP. The SET SHALL send the SUPL POS INIT message even if the SET supported positioning technologies do not include the intended positioning method indicated in the SUPL INIT message. The SUPL POS INIT message contains at least session-id, SET capabilities and Location ID (lid) and a hash of the received SUPL INIT message (ver). The SET capabilities include the supported positioning methods (e.g., SET-Assisted A-GPS, SET-Based A-GPS) and associated positioning protocols (e.g., RRLP, RRC, TIA-801 or LPP/LPPE). The SET MAY provide NMR specific for the radio technology being used (e.g., for GSM: TA, RXLEV). The SET MAY provide its position, if this is supported. The SET MAY set the Requested Assistance Data element in the SUPL POS INIT.
- J. The H-SLC SHALL check that the hash of SUPL INIT matches the one it has computed for this particular session. If an initial position calculated based on information received in the SUPL POS INIT message is available which meets the requested QoP, the H-SLC MAY directly proceed to step O and send a PEND message to the H-SPC. The Otherwise the H-SLC decides that the H-SPC will provide assistance/position calculation and the H-SLC sends an RLP SRLIR request to the V-SLC to determine an initial position for further exchange of SUPL POS messages between SET and H-SPC. The RLP request contains at least the msid and the Location ID (lid). Optionally the H-SLC MAY forward NMR provided by the SET to the V-SLC.

- K. The V-SLC returns a RLP SRLIA message. The RLP SRLIA message contains at least the position result (e.g., initial position for A-GPS positioning).
- L. The H-SLC sends a PINIT message to the H-SPC including session-id2, location id, SET capabilities and position estimate (i.e. initial position received from the V-SLC in the previous step). The H-SLC MAY include a posmethod in the PINIT. This posmethod may either be the posmethod recommended by the H-SPC in step F, or a different posmethod of the H-SLC's choosing, as long as it is one supported by the H-SPC. If the computed position meets the requested QoP, the H-SPC MAY directly move to step N and not engage in a SUPL POS session.
- M. Based on the PINIT message including the SET capabilities, the H-SPC SHALL determine the posmethod. If a posmethod has been included in the PINIT by the H-SLC, the H-SPC SHALL use that posmethod, unless it does not meet the SET capabilities. If no posmethod parameter was included in the PINIT, the H-SPC shall choose any posmethod in line with the SET capabilities which was approved by the H-SLC in step E. If required for the posmethod, the H-SPC SHALL use the supported positioning protocol (e.g., RRLP, RRC, TIA-801 or LPP/LPPE) from the PINIT message.
- The SET and the H-SPC exchange several successive positioning procedure messages. Thereby the positioning procedure payload (RRLP/RRC/TIA-801/LPP/LPPE) is transferred between the H-SPC and the H-SLC using PMESS messages. PMESS includes the session-id2 and the positioning procedure payload (RRLP/RRC/TIA-801/LPP/LPPE). The positioning procedure payload (RRLP/RRC/TIA-801/LPP/LPPE) is transferred between the H-SLC and the SET using SUPL POS messages (the PMESS – SUPL POS – SUPL POS – PMESS message exchange is conceptually shown in dotted lines).
- The H-SPC calculates the position estimate based on the received positioning measurements (SET assisted) or the SET calculates the position estimate based on assistance obtained from the H-SPC (SET based).
- N. Once the position calculation is complete the H-SPC sends a PEND message to the H-SLC.
- O. The H-SLC sends a SUPL END message to the SET informing it that no further positioning procedure will be started and that the location session is finished. The SET SHALL release the secure connection to the H-SLC and release all resources related to this session.
- P. The H-SLC forwards the location estimate to the R-SLC if the position estimate is allowed by the privacy settings of the target subscriber. The H-SLC SHALL release all resources related to this session.
- Q. The R-SLC sends the position estimate back to the SUPL Agent using the MLP SLIA message.

### 5.1.4 Non-Roaming Successful Case, Notification/Verification based on current location



**Figure 4: Notification/Verification based on current location, Network Initiated Non-Roaming Successful Case – Proxy Mode**

NOTE 1: See Appendix C for timer descriptions.

- A. The SUPL Agent issues an MLP SLIR message to the H-SLC, with which SUPL Agent is associated. The H-SLC shall authenticate the SUPL Agent and check if the SUPL Agent is authorized for the service it requests, based on the client-id received. Further, based on the received ms-id the H-SLC shall apply subscriber privacy against the client-id.  
If a previously computed position which meets the requested QoP is available at the H-SLC and, based on that position, no notification or verification is required, the H-SLC SHALL directly proceed to step P. If, based on that position, notification and verification or notification only is required, the H-SLC SHALL proceed to step B.

- B. The H-SLC verifies that the target terminal is currently not SUPL Roaming. The H-SLC may also verify that the target terminal supports SUPL.

NOTE 2: The specifics for determining if the SET is roaming or not is considered outside scope of SUPL. However, there are various environment dependent mechanisms.

- C. The H-SLC requests service from the H-SPC for a SUPL session by sending a PREQ message containing the session-id2 and the QoP. The H-SLC MAY include its approved positioning methods for this session. If the approved positioning methods are not included, the H-SPC SHALL assume that all its available positioning methods have been approved.
- D. The H-SPC accepts the service request for a SUPL session from the H-SLC with a PRES message containing the session-id2. The H-SPC MAY include a preferred positioning method in the PRES. The H-SPC MAY include its supported positioning methods in the PRES.
- E. The H-SLC initiates the location session with the SET using the SUPL INIT message. The SUPL INIT message contains at least session-id, proxy/non-proxy mode indicator and the intended positioning method. As in this case the result of the privacy check in Step A indicates that subscriber privacy check based on current location is required, the H-SLP SHALL include the Notification Mode element in the SUPL INIT to indicate notification based on current location and SHALL NOT include the notification element in the SUPL INIT message. Before the SUPL INIT message is sent the H-SLC also computes and stores a hash of the message. If in step A the H-SLC decided to use a previously computed position, the SUPL INIT message SHALL indicate this in a 'no position' posmethod parameter value and the SET SHALL respond with a SUPL END message carrying the results of the verification process (access granted, or access denied). If no explicit verification is required (notification only) the SET SHALL respond with a SUPL END message. The H-SLC SHALL then directly proceed to step P.

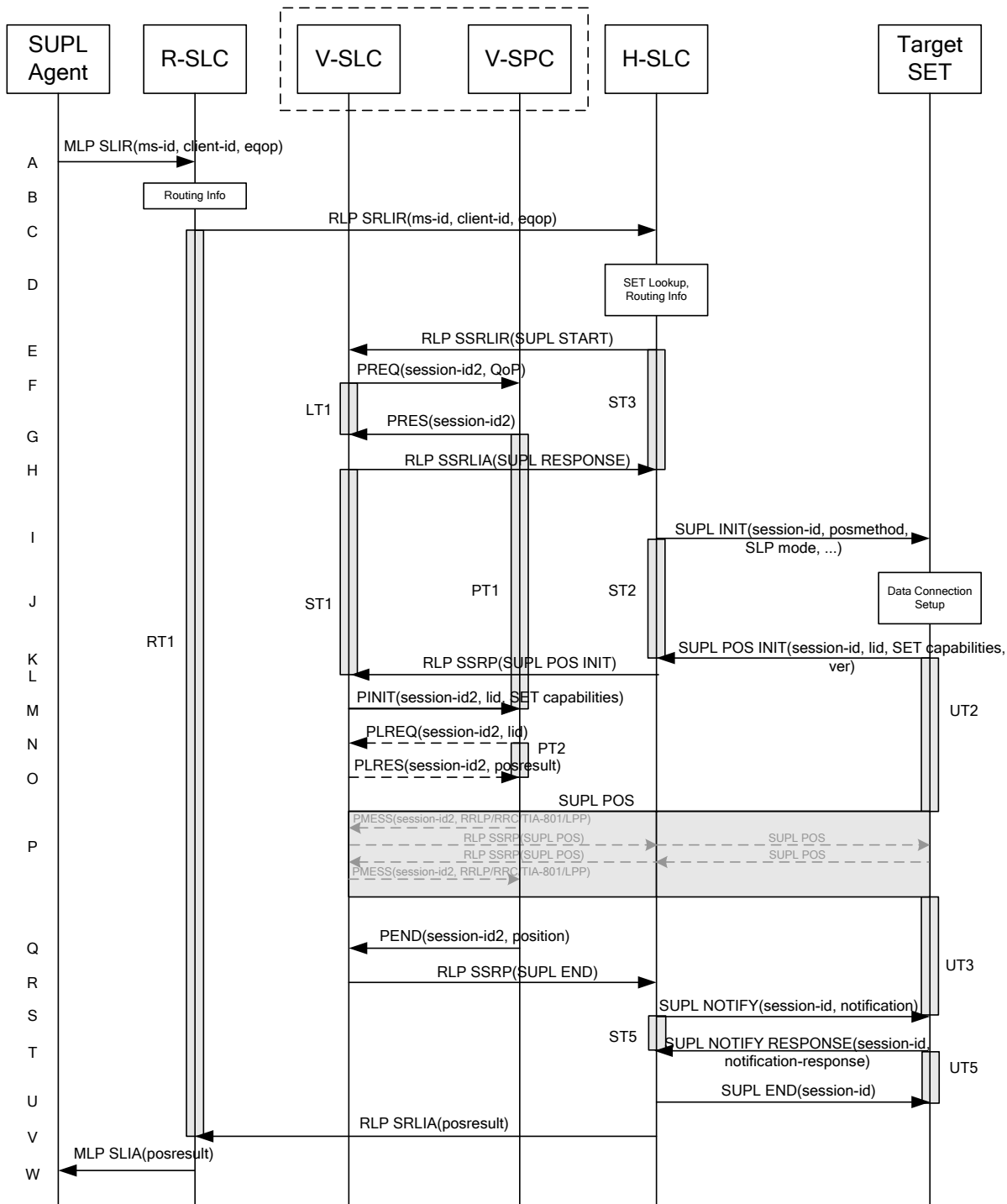
NOTE 3: Before sending the SUPL END message the SET SHALL perform the data connection setup procedure of step F.

- F. The SET analyses the received SUPL INIT. If found to be non authentic, the SET takes no further action. Otherwise the SET takes needed action preparing for establishment or resumption of a secure connection.
- G. The SET will evaluate the Notification rules and follow the appropriate actions. The SET checks the notification mode indicator and determines that in this case the notification is performed based on the location of the SET. The SET also checks the proxy/non-proxy mode indicator to determine if the H-SLP uses proxy or non-proxy mode. In this case, proxy mode is used, and the SET SHALL establish a secure connection to the H-SLC using H-SLP address that has been provisioned by the Home Network to the SET. If no H-SLP address is provided in the SUPL INIT message the SET SHALL use the default H-SLP address, provisioned by the Home Network, when establishing the secure connection. The SET then sends a SUPL POS INIT message to start a positioning session with the H-SLP. The SUPL POS INIT message contains at least session-id, SET capabilities, a hash of the received SUPL INIT message (ver) and Location ID (lid). The SET capabilities include the supported positioning methods (e.g., SET-Assisted A-GPS, SET-Based A-GPS) and associated positioning protocols (e.g., RRLP, RRC, IS-801). The SET MAY provide NMR specific for the radio technology being used (e.g., for GSM: TA, RXLEV). The SET MAY provide its position, if it is supported. The SET MAY set the Requested Assistance Data element in the SUPL POS INIT. The H-SLC SHALL check that the hash of SUPL INIT matches the one it has computed for this particular session
- H. The H-SLC sends a PINIT message to the H-SPC including session-id2, location id and SET capabilities. The H-SLC MAY include a posmethod in the PINIT. This posmethod may either be the posmethod recommended by the H-SPC in step D, or a different posmethod of the H-SLC's choosing, as long as it is one supported by the H-SPC. Based on the PINIT message including the SET capabilities, the H-SPC SHALL then determine the posmethod. If a posmethod has been included in the PINIT by the H-SLC, the H-SPC SHALL use that posmethod, unless it does not meet the SET capabilities. If no posmethod parameter was included in the PINIT, the H-SPC shall choose any posmethod in line with the SET capabilities which was approved by the H-SLC in step C. If required for the posmethod the H-SPC SHALL use the supported positioning protocol (e.g., RRLP, RRC, TIA-801 or LPP/LPPe) from the PINIT message. If a position received from or calculated based on information received in the PINIT message is available that meets the required QoP, the H-SPC MAY directly proceed to step L and not engage in a SUPL POS session.
- I. If the H-SPC cannot translate the lid received in step H into a position, the H-SPC sends a PLREQ message to the H-SLC. The PLREQ message contains the session-id2 and the lid. This step is optional and not required if the H-SPC can perform the translation from lid into a position itself.

- J. This step is conditional and only occurs if step I was performed. The H-SLC reports the position result back to the H-SPC in a PLRES message. PLRES contains the session-id2 and the posresult. If the position meets the required QoP, the H-SPC MAY directly proceed to step L and not engage in a SUPL POS session.
- K. The SET and the H-SPC exchange several successive positioning procedure messages. Thereby the positioning procedure payload (RRLP/RRC/TIA-801/LPP/LPPE) is transferred between the H-SPC and the H-SLC using PMESS messages. PMESS includes the session-id2 and the positioning procedure payload (RRLP/RRC/TIA-801/LPP/LPPE). The positioning procedure payload (RRLP/RRC/TIA-801/LPP/LPPE) is transferred between the H-SLC and the SET using SUPL POS messages (the PMESS – SUPL POS – SUPL POS – PMESS message exchange is conceptually shown in dotted lines).  
The H-SPC calculates the position estimate based on the received positioning measurements (SET-Assisted) or the SET calculates the position estimate based on assistance obtained from the H-SLP (SET-Based).
- L. Once the position calculation is complete, the H-SPC sends a PEND message to the H-SLC
- M. The H-SLP applies subscriber privacy against the SET position estimate determined in Step K. If, based on this position, notification and verification or notification only is required, the H-SLP SHALL send a SUPL NOTIFY message to the SET. The SUPL NOTIFY message contains the notification element. If, based on this position, no notification or verification is required, the H-SLP SHALL directly proceed to Step O.
- N. The SET SHALL send a SUPL NOTIFY RESPONSE message to the H-SLC. If notification and verification was required in step M then this will contain the containing the notification response from the user.
- O. Once the position calculation is complete the H-SLC sends the SUPL END message to the SET informing it that no further positioning procedure will be started and that the location session is finished. The SET SHALL release the secure connection to the H-SLC and release all resources related to this session.
- P. The H-SLC sends the position estimate back to the SUPL Agent in an MLP SLIA message and the H-SLP SHALL release all resources related to this session.

### **5.1.5 Roaming with V-SLP Positioning Successful Case, Notification/Verification based on current location**

SUPL Roaming where the V-SLP is involved in the positioning calculation.



**Figure 5: Notification/Verification based on current location, Network Initiated Roaming Successful Case – Proxy mode with V-SLP positioning**

NOTE 1: See Appendix C for timer descriptions.

- A. The SUPL Agent issues an MLP SLIR message to the R-SLC, with which SUPL Agent is associated. The R-SLC SHALL authenticate the SUPL Agent and check if the SUPL Agent is authorized for the service it requested, based on the client-id received.

- B. The R-SLC determines the H-SLC based on the received msid. If the R-SLC determines that the SUPL Agent is not authorized for this request, Step W will be returned with the applicable MLP return code.

NOTE 2: The specifics for determining the H-SLP are considered outside scope of SUPL. However, there are various environment dependent mechanisms.

- C. The R-SLC then forwards the location request to the H-SLC of the target subscriber, using RLP protocol. If a previously computed position which meets the requested QoP is available at the H-SLC and, based on that position, no notification or verification is required, the H-SLC SHALL directly proceed to step V. If, based on that position, notification and verification or notification only is required, the H-SLC SHALL proceed to step I after having performed the SET Lookup and Routing Info procedures of step D.
- D. Based on the received ms-id the H-SLC SHALL apply subscriber privacy against the client-id. The H-SLC verifies that the target SET is currently SUPL Roaming. In addition the H-SLC MAY also verify that the target SET supports SUPL.

NOTE 3: The specifics for determining if the SET is SUPL Roaming or not is considered outside the scope of SUPL. However, there are various environment dependent mechanisms.

- E. The H-SLC sends an RLP SSRLIR to the V-SLC to inform the V-SLC that the target SET will initiate a SUPL positioning procedure. Mandatory parameters in SUPL START that are not known to H-SLC (lid and SET capabilities) shall be populated with arbitrary values by H-SLC and be ignored by V-SLC.
- F. The V-SLC requests service from the V-SPC for a SUPL session by sending a PREQ message containing the session-id2 and the QoP. The V-SLC MAY include its approved positioning methods for this session. If the approved positioning methods are not included, the V-SPC SHALL assume that all its available positioning methods have been approved.
- G. The V-SPC accepts the service request for a SUPL session from the V-SLC with a PRES message containing the session-id2. The V-SPC MAY include a preferred positioning method in the PRES. The V-SPC MAY include its supported positioning methods in the PRES.
- H. The V-SLC acknowledges that it is ready to initiate a SUPL positioning procedure with an RLP SSRLIA back to the H-SLC.
- I. The H-SLC initiates the location session with the SET using the SUPL INIT message. The SUPL INIT message contains at least session-id, proxy/non-proxy mode indicator and the intended positioning method. As in this case the result of the privacy check in Step D indicates that subscriber privacy check based on current location is required, the H-SLC SHALL include the Notification Mode element in the SUPL INIT message to indicate notification based on current location and SHALL NOT include the notification element in the SUPL INIT message. This step MAY be performed immediately after step D. Before the SUPL INIT message is sent the H-SLC also computes and stores a hash of the message.  
If in step C the H-SLC decided to use a previously computed position the SUPL INIT message SHALL indicate this in a 'no position' posmethod parameter value and the SET SHALL respond with a SUPL END message to the H-SLC carrying the results of the verification process (access granted, or access denied). If no verification is required (notification only) the SET SHALL respond with a SUPL END message to the H-SLC. The H-SLC SHALL then directly proceed to step V.

NOTE 4: Before sending the SUPL END message the SET SHALL perform the data connection setup procedure of step J.

Step I MAY be performed immediately after step D, however, the H-SLC SHALL not proceed with step L before step H has returned.

- J. The SET analyses the received SUPL INIT. If found to be non authentic, the SET takes no further action. Otherwise the SET takes needed action preparing for establishment or resumption of a secure connection.
- K. The SET will evaluate the Notification rules and follow the appropriate actions. The SET checks the notification mode indicator and determines that in this case the notification is performed based on the location of the SET. The SET also checks the proxy/non-proxy mode indicator to determine if the H-SLP uses proxy or non-proxy mode. In



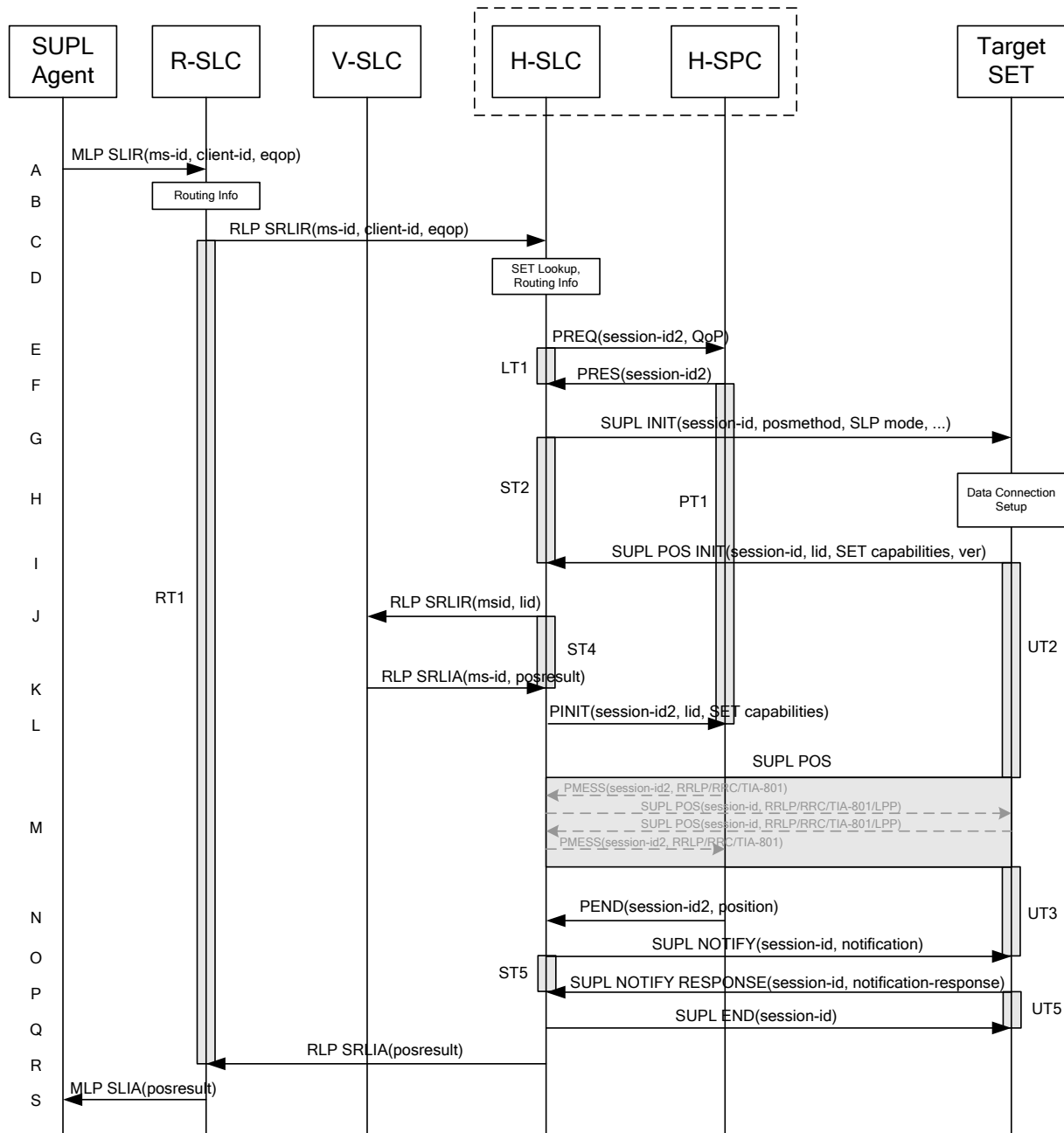
this case, proxy mode is used, and the SET SHALL establish a secure connection to the H-SLC using the H-SLP address that has been provisioned by the Home Network to the SET. The SET then sends a SUPL POS INIT message to start a positioning session with the H-SLP. The SUPL POS INIT message contains at least session-id, SET capabilities, a hash of the received SUPL INIT message (ver) and Location ID (lid). The SET capabilities include the supported positioning methods (e.g., SET-Assisted A-GPS, SET-Based A-GPS) and associated positioning protocols (e.g., RRLP, RRC, TIA-801 or LPP/LPPe). The SET MAY optionally provide NMR specific for the radio technology being used (e.g., for GSM: TA, RXLEV). The SET MAY optionally provide its position or network timing information, if these are available and supported by both SET and H-SLP. The SET MAY optionally set the Requested Assistance Data element in the SUPL POS INIT.

- L. The H-SLC SHALL check that the hash of SUPL INIT matches the one it has computed for this particular session. The H-SLC then tunnels the SUPL POS INIT message over RLP to the V-SLC.
- M. The V-SLC sends a PINIT message to the V-SPC including session-id2, location id and SET capabilities. The V-SLC MAY include a posmethod in the PINIT. This posmethod may either be the posmethod recommended by the V-SPC in step G, or a different posmethod of the V-SLC's choosing, as long as it is one supported by the V-SPC. Based on the PINIT message including the SET capabilities, the V-SPC SHALL determine the posmethod. If a posmethod has been included in the PINIT by the V-SLC, the V-SPC SHALL use that posmethod, unless it does not meet the SET capabilities. If no posmethod parameter was included in the PINIT, the V-SPC shall choose any posmethod in line with the SET capabilities which was approved by the V-SLC in step F. If required for the posmethod the V-SPC SHALL use the supported positioning protocol (e.g., RRLP, RRC, TIA-801 or LPP/LPPe) from the PINIT message. If an initial position calculated based on information received in the PINIT message is available that meets the required QoP, the V-SPC MAY directly proceed to step Q and not engage in a SUPL POS session.
- N. If the V-SPC cannot translate the lid received in step M into an initial position, the V-SPC sends a PLREQ message to the V-SLC. The PLREQ message contains the session-id2 and the lid. This step is optional and not required if the V-SPC can perform the translation from lid into an initial position itself.
- O. This step is conditional and only occurs if step N was performed. The V-SLC reports an initial position result back to the V-SPC in a PLRES message. PLRES contains the session-id2 and the posresult. If the initial position meets the required QoP, the V-SPC MAY directly proceed to step Q and not engage in a SUPL POS session.
- P. The SET and the V-SPC exchange several successive positioning procedure messages. Thereby the positioning procedure payload (RRLP/RRC/TIA-801/LPP/LPPe) is transferred between the V-SPC and the V-SLC using PMESS messages. PMESS includes the session-id2 and the positioning procedure payload (RRLP/RRC/TIA-801/LPP/LPPe). The positioning procedure payload (RRLP/RRC/TIA-801/LPP/LPPe) is transferred between the V-SLC and the H-SLC using SUPL POS over RLP tunnel messages. The positioning procedure payload (RRLP/RRC/TIA-801/LPP/LPPe) is transferred between the H-SLC and the SET using SUPL POS messages. The flow sequence PMESS – RLP SSRP(SUPL POS) – SUPL POS – SUPL POS – RLP SSRP(SUPL POS) – PMESS is conceptually shown in dotted lines..  
The V-SPC calculates the position estimate based on the received positioning measurements (SET-Assisted) or the SET calculates the position estimate based on assistance obtained from the V-SPC (SET-Based).
- Q. Once the position calculation is complete, the V-SPC sends a PEND message to the V-SLC.
- R. Once the position calculation is complete the V-SLC sends the SUPL END message tunnelled over RLP to the H-SLC. The V-SLP SHALL release all resources related to this session.
- S. The H-SLC applies subscriber privacy against the SET position estimate obtained in Step L. If, based on this position, notification and verification or notification only is required, the H-SLP SHALL send a SUPL NOTIFY message to the SET. The SUPL NOTIFY message contains notification element. If, based on this position, no notification and verification is required, the H-SLP SHALL directly proceed to Step U
- T. The SET SHALL send a SUPL NOTIFY RESPONSE message to the H-SLC. If notification and verification was required in step S then this will contain the notification response from the user.

- U. The H-SLC sends the SUPL END to the SET informing it that no further positioning procedure will be started and that the location session is finished. The SET SHALL release the secure connection to the H-SLC and release all resources related to this session.
- V. The H-SLC sends the position estimate back to the R-SLP in an RLP SRLIA message. The H-SLP SHALL release all resources related to this session.
- W. The R-SLC sends the position estimate back to the SUPL Agent in an MLP SLIA message.

### **5.1.6 Roaming with H-SLP Positioning Successful Case, Notification/Verification based on current location**

SUPL Roaming where the H-SLP is involved in the positioning calculation.



**Figure 6: Notification/Verification based on current location, Network Initiated Roaming Successful case – Proxy mode with H-SLP positioning**

NOTE 1: See Appendix C for timer descriptions.

- A. The SUPL Agent issues an MLP SLIR message to the R-SLC, with which the SUPL Agent is associated. The R-SLC SHALL authenticate the SUPL Agent and check if the SUPL Agent is authorized for the service it requested, based on the client-id received.
- B. The R-SLC determines the H-SLC based on the received msid. If the R-SLC determines that the SUPL Agent is not authorized for this request, Step S will be returned with the applicable MLP return code.

NOTE 2: The specifics for determining the H-SLC are considered outside scope of SUPL. However, there are various environment dependent mechanisms.

NOTE 3: Alternatively, the H-SLP may determine whether the SET is SUPL Roaming in a later step using the location identifier (lid) received from the SET.

- C. The R-SLC then forwards the location request to the H-SLC of the target subscriber, using RLP protocol. If a previously computed position which meets the requested QoP is available at the H-SLC and, based on that position, no notification or verification is required, the H-SLC SHALL directly proceed to step R. If, based on that position, notification and verification or notification only is required, the H-SLC SHALL proceed to step G after having performed the SET Lookup and Routing Info procedures of step D.
- D. Based on the received ms-id the H-SLC SHALL apply subscriber privacy against the client-id. The H-SLC verifies that the target SET is currently SUPL Roaming. In addition the H-SLC MAY also verify that the target SET supports SUPL.

NOTE 3: The specifics for determining if the SET is SUPL Roaming or not is considered outside scope of SUPL. However, there are various environment dependent mechanisms.

- E. The H-SLC requests service from the H-SPC for the SUPL session by sending a PREQ message containing the session-id2 and the QoP. The H-SLC MAY include its approved positioning methods for this session. If the approved positioning methods are not included, the H-SPC SHALL assume that all its available positioning methods have been approved.
- F. The H-SPC confirms its readiness for a SUPL session with a PRES message containing the session-id2. The H-SPC MAY include a preferred positioning method in the PRES. The H-SPC MAY include its supported positioning methods in the PRES.
- G. The H-SLC initiates the location session with the SET using the SUPL INIT message. The SUPL INIT message contains at least session-id, proxy/non-proxy mode indicator and the intended positioning method. As in this case the result of the privacy check in Step D indicates that subscriber privacy check based on current location is required, the H-SLC SHALL include the Notification Mode element in the SUPL INIT message to indicate notification based on current location and SHALL NOT include the notification element in the SUPL INIT message. Before the SUPL INIT message is sent the H-SLC also computes and stores a hash of the message. If in step C the H-SLC decided to use a previously computed position the SUPL INIT message SHALL indicate this in a 'no position' posmethod parameter value and the SET SHALL respond with a SUPL END message to the H-SLC carrying the results of the verification process (access granted, or access denied). If no verification is required (notification only) the SET SHALL respond with a SUPL END message to the H-SLC. The H-SLC SHALL then directly proceed to step R.

NOTE 4: Before sending the SUPL END message the SET shall follow the data connection setup procedure of step H.

- H. The SET analyses the received SUPL INIT. If it is found to be non authentic, the SET takes no further action. Otherwise the SET takes needed action preparing for establishment or resumption of a secure connection.
- I. The SET will evaluate the Notification rules and follow the appropriate actions. The SET checks the notification mode indicator and determines that in this case the notification is performed based on the location of the SET. The SET also checks the proxy/non-proxy mode indicator to determine if the H-SLC uses proxy or non-proxy mode. In this case, proxy mode is used, and the SET SHALL establish a secure connection to the H-SLC using the H-SLP address that has been provisioned by the Home Network to the SET. The SET then sends a SUPL POS INIT message to start a positioning session with the H-SLP. The SUPL POS INIT message contains at least session-id, SET capabilities and Location ID (lid). The SUPL POS INIT MAY contain a hash of the received SUPL INIT message (ver). The SET capabilities include the supported positioning methods (e.g., SET-Assisted A-GPS, SET-Based A-GPS) and associated positioning protocols (e.g., RRLP, RRC, TIA-801 or LPP/LPPe). The SET MAY provide NMR specific for the radio technology being used (e.g., for GSM: TA, RXLEV). The SET MAY provide its position, if these are available and supported by both SET and H-SLP. The SET MAY set the Requested Assistance Data element in the SUPL POS INIT.
- J. The H-SLC SHALL check that the hash of SUPL INIT matches the one it has computed for this particular session. If an initial position calculated based on information received in the SUPL POS INIT message is available which meets the requested QoP, the H-SLC MAY directly proceed to step O and send a PEND message to the H-SPC. Otherwise the H-SLC decides that the H-SPC will provide assistance/position calculation and the H-SLC sends a

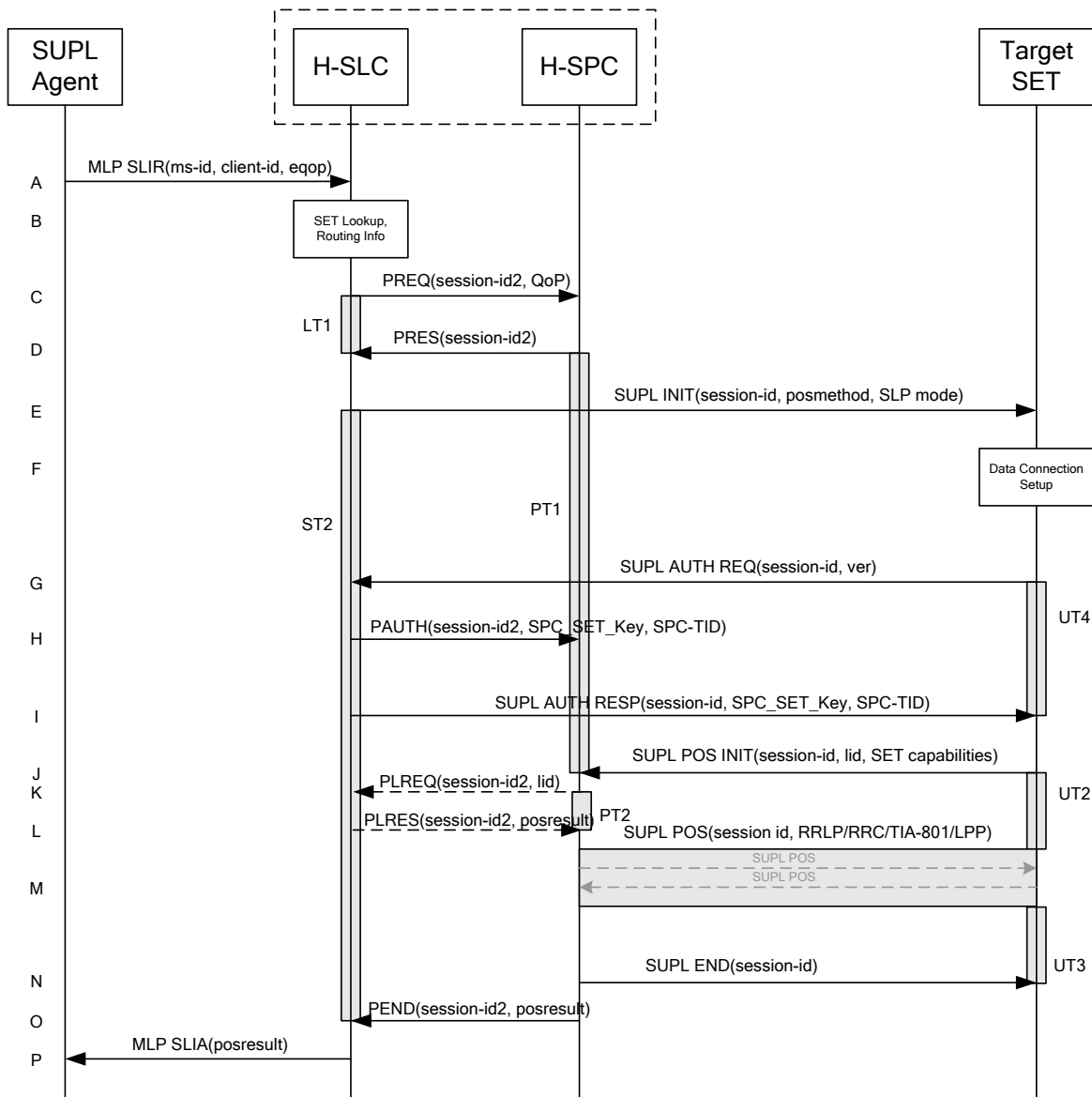
RLP SRLIR request to the V-SLC to determine an initial position. The RLP request contains at least the msid and the Location ID (lid). Optionally the H-SLC MAY forward NMR provided by the SET to the V-SLC.

- K. The V-SLC returns a RLP SRLIA message. The RLP SRLIA message contains the position result. If the computed position meets the requested QoP, the H-SLC MAY proceed directly to step O and send a PEND message to the H-SPC.
- L. The H-SLC sends a PINIT message to the H-SPC including session-id2, location id, SET capabilities and position estimate (i.e. initial position received from the V-SLC in the previous step). The H-SLC MAY include a posmethod in the PINIT. This posmethod may either be the posmethod recommended by the H-SPC in step F, or a different posmethod of the H-SLC's choosing, as long as it is one supported by the H-SPC. If the computed position meets the requested QoP, the H-SPC MAY directly move to step N and not engage in a SUPL POS session.
- M. Based on the PINIT message including the SET capabilities, the H-SPC SHALL determine the posmethod. If a posmethod has been included in the PINIT by the H-SLC, the H-SPC SHALL use that posmethod, unless it does not meet the SET capabilities. If no posmethod parameter was included in the PINIT, the H-SPC shall choose any posmethod in line with the SET capabilities which was approved by the H-SLC in step E. If required for the posmethod, the H-SPC SHALL use the supported positioning protocol (e.g., RRLP, RRC, TIA-801 or LPP/LPPE) from the PINIT message.  
 The SET and the H-SPC exchange several successive positioning procedure messages. Thereby the positioning procedure payload (RRLP/RRC/TIA-801/LPP/LPPE) is transferred between the H-SPC and the H-SLC using PMESS messages. PMESS includes the session-id2 and the positioning procedure payload (RRLP/RRC/TIA-801/LPP/LPPE). The positioning procedure payload (RRLP/RRC/TIA-801/LPP/LPPE) is transferred between the H-SLC and the SET using SUPL POS messages (the PMESS – SUPL POS – SUPL POS – PMESS message exchange is conceptually shown in dotted lines).  
 The H-SPC calculates the position estimate based on the received positioning measurements (SET assisted) or the SET calculates the position estimate based on assistance obtained from the H-SPC (SET based).
- N. Once the position calculation is complete the H-SPC sends a PEND message to the H-SLC.
- O. The H-SLC applies subscriber privacy against the SET position estimate determined in Step M. If, based on this position, notification and verification or notification only is required, the H-SLC SHALL send a SUPL NOTIFY message to the SET. The SUPL NOTIFY message contains notification element. If, based on this position, no notification and verification is required, the H-SLC SHALL directly proceed to Step Q.
- P. The SET SHALL send a SUPL NOTIFY RESPONSE message to the H-SLC. If notification and verification was required in step O then this will contain the notification response from the user.
- Q. Once the position calculation is complete the H-SLC sends the SUPL END message to the SET informing it that no further positioning procedure will be started and that the location session is finished. The SET SHALL release the secure connection to the H-SLC and release all resources related to this session.
- R. The H-SLC forwards the location estimate to R-SLC if the position estimate is allowed by the privacy settings of the target subscriber. The H-SLP SHALL release all resources related to this session.
- S. The R-SLC sends the position estimate back to the SUPL Agent in an MLP SLIA message.

## 5.2 Network Initiated – Non-Proxy Mode

This section describes Network Initiated Non-Proxy mode scenarios.

### 5.2.1 Non-Roaming Successful Case



**Figure 7: Network Initiated Non-Roaming Successful Case – Non-Proxy mode**

NOTE 1: See Appendix C for timer descriptions.

- A. The SUPL Agent issues an MLP SLIR message to the H-SLC, with which SUPL Agent is associated. The H-SLC shall authenticate the SUPL Agent and check if the SUPL Agent is authorized for the service it requests, based on the client-id received. Further, based on the received ms-id the H-SLC shall apply subscriber privacy against the client-id.  
If a previously computed position which meets the requested QoP is available at the H-SLC and no notification or verification is required, the H-SLC SHALL directly proceed to step P. If notification and verification or notification only is required, the H-SLC SHALL proceed to step E after having performed the SET Lookup and Routing Info procedures of step B.
- B. The H-SLC verifies that the target SET is currently not SUPL Roaming.  
The H-SLC MAY also verify that the target SET supports SUPL.

NOTE 2: The specifics for determining if the SET is SUPL Roaming or not is considered outside scope of SUPL. However, there are various environment dependent mechanisms.

NOTE 3: The specifics for determining if the SET supports SUPL are beyond SUPL 2.1 scope.

- C. The H-SLC requests service from the H-SPC for a SUPL session by sending a PREQ message containing the session-id2 and the QoP. The H-SLC MAY include its approved positioning methods for this session. If the approved positioning methods are not included, the H-SPC SHALL assume that all its available positioning methods have been approved.
- D. The H-SPC accepts the service request for a SUPL session from the H-SLC with a PRES message containing the session-id2. The H-SPC MAY include a preferred positioning method in the PRES. The H-SPC MAY include its supported positioning methods in the PRES.
- E. The H-SLC initiates the location session with the SET using the SUPL INIT message. The SUPL INIT message contains at least session-id, address of the H-SPC, proxy/non-proxy mode indicator and the intended positioning method. The protection level indicates the level of protection for the SUPL INIT message. If the result of the privacy check in Step A indicates that notification or verification to the target subscriber is needed, the H-SLC shall also include Notification element in the SUPL INIT message.  
If in step A the H-SLC decided to use a previously computed position, the SUPL INIT message SHALL indicate this in a 'no position' posmethod parameter value and the SET SHALL respond with a SUPL END message carrying the results of the verification process (access granted, or access denied). If no explicit verification is required (notification only) the SET SHALL respond with a SUPL END message. The H-SLC SHALL then directly proceed to step P. Note: before sending the SUPL END message the SET SHALL perform the data connection setup procedure of step F to establish a secure connection to the H-SLC.
- F. The SET analyses the received SUPL INIT. If found to be non authentic SET takes no further actions. Otherwise the SET takes needed action preparing for establishment or resumption of a secure connection.
- G. The SET uses the address provisioned by the Home Network to establish a secure connection to the H-SLC. The SET then checks the proxy/non-proxy mode indicator to determine if the H-SLP uses proxy or non-proxy mode. In this case non-proxy mode is used and the SET SHALL send a SUPL AUTH REQ message to the H-SLC. The SUPL AUTH REQ message SHALL contain session-id and a hash of the received SUPL INIT message (ver).
- H. The H-SLC creates SPC\_SET\_Key and SPC-TID to be used for mutual H-SPC/SET authentication. The H-SLC forwards SPC\_SET\_Key and SPC-TID to the H-SPC using a PAUTH message which also includes the session id.
- I. The H-SLC returns a SUPL AUTH RESP message to the SET. The SUPL AUTH RESP message SHALL contain the session-id, SPC\_SET\_Key and SPC-TID.
- J. The SET will evaluate the Notification rules and follow the appropriate actions. The SET establishes a secure connection to the H-SPC according to the address received in step E. The SET and H-SPC perform mutual authentication and the SET sends a SUPL POS INIT message to start a positioning session with the H-SPC. The SET SHALL send the SUPL POS INIT message even if the SET supported positioning technologies do not include the intended positioning method indicated in the SUPL INIT message. The SUPL POS INIT message contains at least session-id, SET capabilities and Location ID (lid). The SET capabilities include the supported positioning methods (e.g., SET-Assisted A-GPS, SET-Based A-GPS) and associated positioning protocols (e.g., RRLP, RRC, TIA-801 or LPP/LPPE). The SET MAY provide NMR specific for the radio technology being used (e.g., for GSM: TA, RXLEV). The SET MAY provide its position, if this is supported. The SET MAY set the Requested Assistance Data element in the SUPL POS INIT. The SET SHALL also release the connection to the H-SLC . If an initial position calculated based on information received in the SUPL POS INIT message is available which meets the requested QoP, the H-SPC MAY directly proceed to step N and no SUPL POS positioning session takes place.
- K. If the H-SPC cannot translate the lid received in step J into an initial position, the H-SPC sends a PLREQ message to the H-SLC. The PLREQ message contains the session-id2 and the location ID.

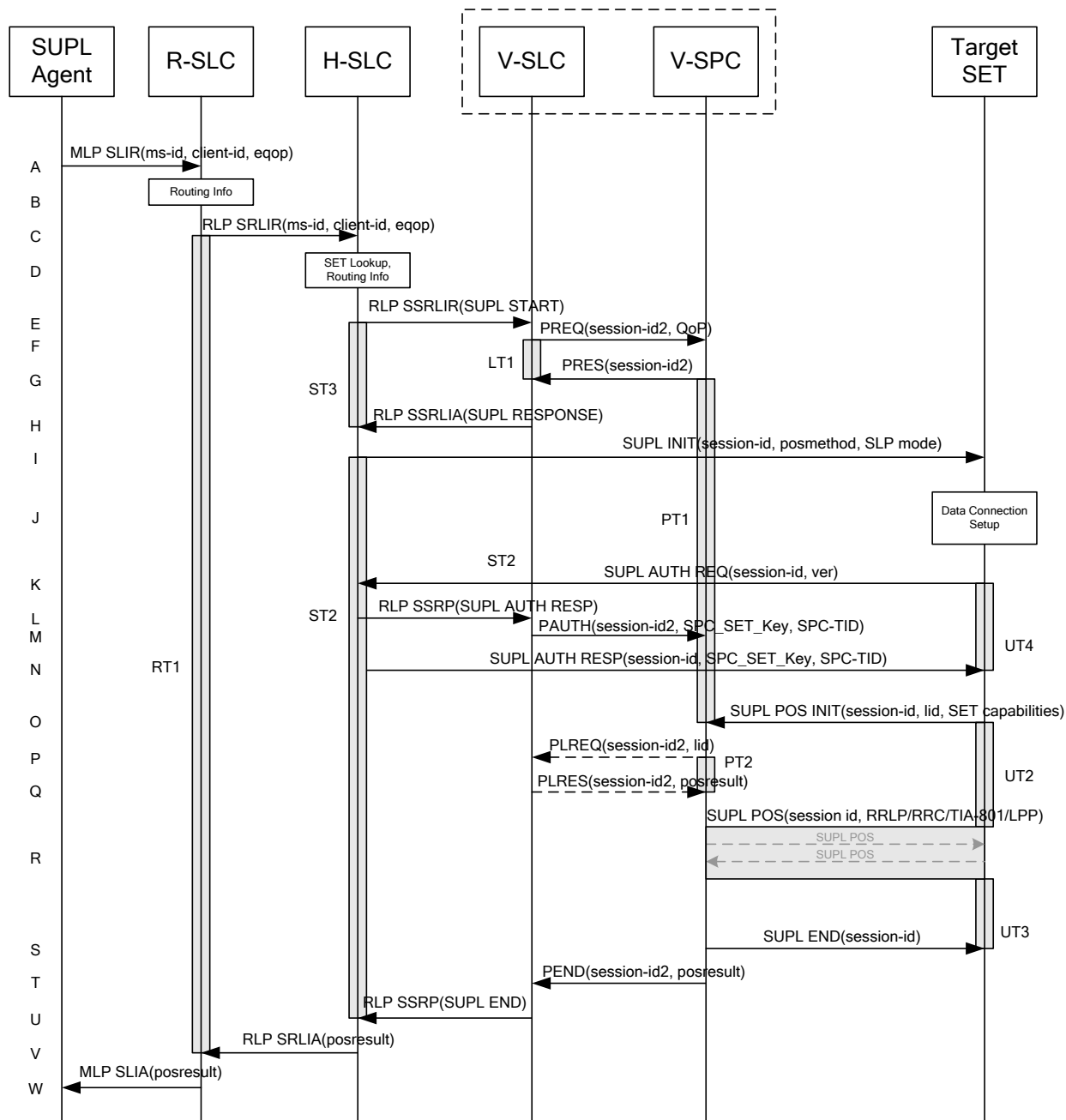
This step is optional and not required if the H-SPC can perform the translation from lid into an initial position itself.

- L. This step is conditional and only occurs if step K was performed. The H-SLC reports the initial position result back to the H-SPC in a PLRES message. PLRES contains the session-id2 and the posresult. If the initial position meets the required QoP, the H-SPC MAY directly proceed to step N and not engage in a SUPL POS session.
- M. Based on the SUPL POS INIT message including posmethod(s) supported by the SET the H-SPC SHALL determine the posmethod. If the H-SLC included its approved positioning methods in step C, the H-SPC SHALL only choose an approved method. If required for the posmethod the H-SPC SHALL use the supported positioning protocol (e.g., RRLP, RRC, TIA-801 or LPP/LPPE) from the SUPL POS INIT message.  
The SET and the H-SPC exchange several successive positioning procedure messages (a SUPL POS message exchange is shown conceptually in dotted lines).  
The H-SPC calculates the position estimate based on the received positioning measurements (SET-Assisted) or the SET calculates the position estimate based on assistance obtained from the H-SPC (SET-Based).
- N. Once the position calculation is complete, the H-SPC sends the SUPL END message to the SET informing it that no further positioning procedure will be started and that the SUPL session is finished. The SET SHALL release the secure connection to the H-SPC and release all resources related to this session.
- O. The H-SPC sends the position estimate to the H-SLC using a PEND message. This also indicates the end of the SUPL session. The H-SPC SHALL release all resources related to this session.
- P. The H-SLC sends the position estimate back to the SUPL Agent in an MLP SLIA message. The H-SLC SHALL release all resources related to this session.

## 5.2.2 Roaming with V-SPC Positioning Successful Case

SET Roaming where the V-SPC is involved in the positioning calculation





**Figure 8: Network Initiated Roaming Successful Case – Non-Proxy-mode with V-SPC positioning**

NOTE 1: See Appendix C for timer descriptions.

- A. The SUPL Agent issues an MLP SLIR message to the R-SLC, with which SUPL Agent is associated. The R-SLC SHALL authenticate the SUPL Agent and check if the SUPL Agent is authorized for the service it requests, based on the client-id received.
- B. The R-SLC determines the H-SLC based on the received msid. If the R-SLC determines that the SUPL Agent is not authorized for this request, Step W will be returned with the applicable MLP return code.

NOTE 2: The specifics for determining the H-SLC are considered outside scope of SUPL. However, there are various environment dependent mechanisms.

- C. The R-SLC then forwards the location request to the H-SLC of the target subscriber, using RLP protocol. Based on the received ms-id the H-SLC SHALL apply subscriber privacy against the client-id. If a previously computed position which meets the requested QoP is available at the H-SLC and no notification or verification is required, the H-SLC SHALL directly proceed to step V. If notification and verification or notification only is required, the H-SLC SHALL proceed to step I after having performed step D.
- D. The H-SLC verifies that the target SET is currently SUPL Roaming. In addition the H-SLC MAY also verify that the target SET supports SUPL.

NOTE 3: The specifics for determining if the SET is SUPL Roaming or not is considered outside scope of SUPL. However, there are various environment dependent mechanisms.

NOTE 4: The specifics for determining if the SET supports SUPL are beyond SUPL 2.1 scope.

- E. The H-SLC allocates a session-id for the SUPL session and decides that the V-SPC will provide assistance data or perform the position calculation. The H-SLC sends an RLP SSRLIR to the V-SLC to inform the V-SLC that the target SET will initiate a SUPL positioning procedure. Mandatory parameters in SUPL START that are not known to the H-SLC (lid and SET capabilities) shall be populated with arbitrary values by the H-SLC and be ignored by the V-SLC. The SET part of the session-id will not be included in this message by the H-SLC to distinguish this scenario from a SET Initiated scenario.
- F. The V-SLC requests service from the V-SPC for a SUPL session by sending a PREQ message containing the session-id2 and the QoP. The V-SLC MAY include its approved positioning methods for this session. If the approved positioning methods are not included, the V-SPC SHALL assume that all its available positioning methods have been approved.
- G. The V-SPC accepts the service request for a SUPL session from the V-SLC with a PRES message containing the session-id2. The V-SPC MAY include a preferred positioning method in the PRES. The V-SPC MAY include its supported positioning methods in the PRES.
- H. The V-SLC acknowledges that V-SPC is ready to initiate a SUPL positioning procedure with an RLP SSRLIA back to the H-SLC. The message includes at least session-id, posmethod and the address of the V-SPC.
- I. The H-SLC initiates the location session with the SET using the SUPL INIT message. The SUPL INIT message contains at least session-id, address of the V-SPC, proxy/non-proxy mode indicator and the intended positioning method. If the result of the privacy check in Step C indicates that notification or verification to the target subscriber is needed, the H-SLC SHALL also include the Notification element in the SUPL INIT message. If in step C the H-SLP decided to use a previously computed position, the SUPL INIT message SHALL indicate this in a 'no position' posmethod parameter value and the SET SHALL respond with a SUPL END message to the H-SLC carrying the results of the verification process (access granted, or access denied). If no verification is required (notification only) the SET SHALL respond with a SUPL END message to the H-SLC. The H-SLC SHALL then directly proceed to step V.

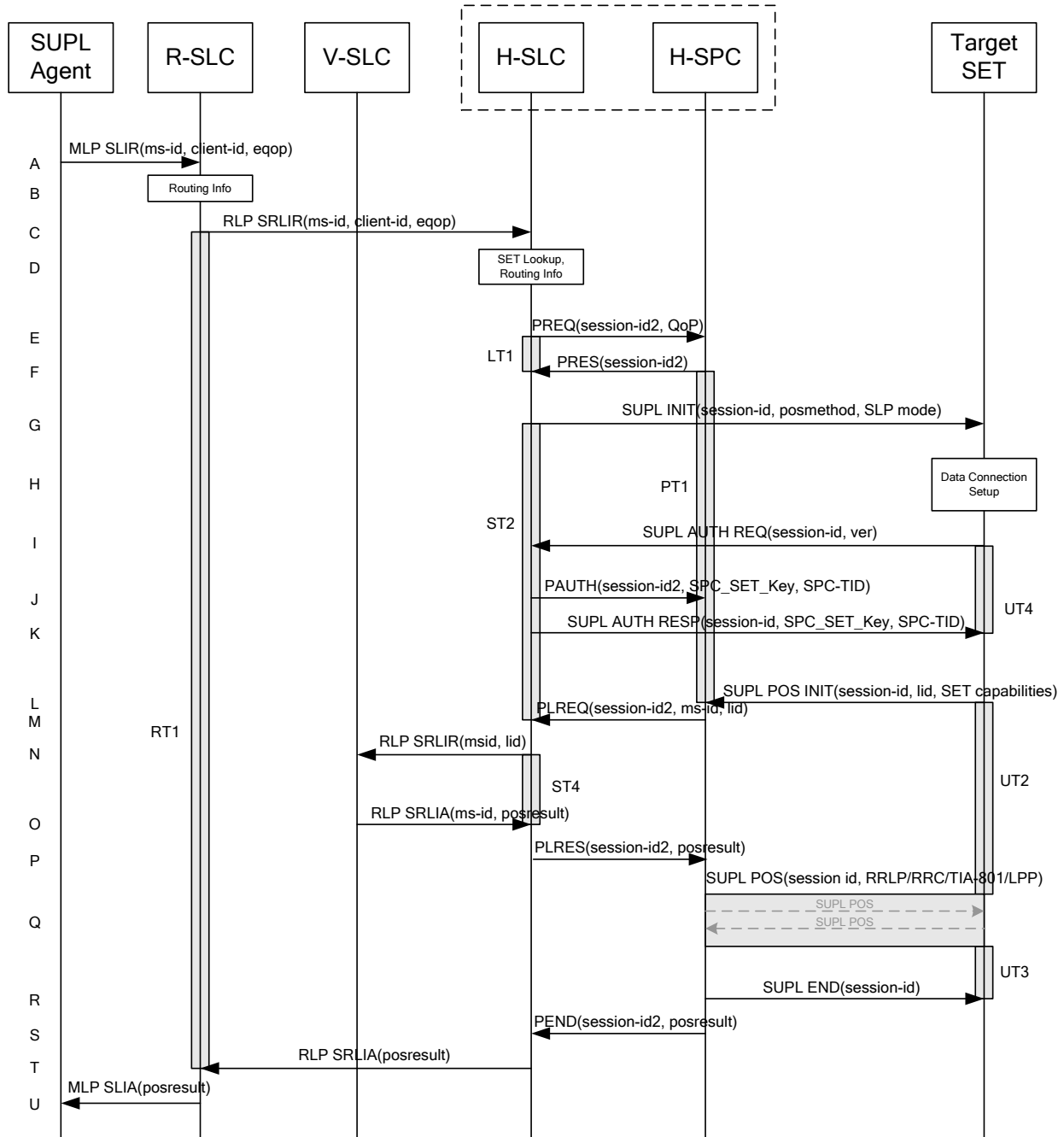
NOTE 5: Before sending the SUPL END message the SET SHALL perform the data connection setup procedure of step J to establish a secure connection to the H-SLC.

- J. The SET analyses the received SUPL INIT. If found to be non authentic SET takes no further action. Otherwise the SET takes needed action preparing for establishment or resumption of a secure connection.
- K. The SET uses the address provisioned by the Home Network to establish a connection to the H-SLC. The SET then checks the proxy/non-proxy mode indicator to determine if the H-SLP uses proxy or non-proxy mode. In this case non-proxy mode is used and the SET SHALL send a SUPL AUTH REQ message to the H-SLC. The SUPL AUTH REQ message SHALL contain session-id and a hash of the received SUPL INIT message (ver).
- L. The H-SLP creates SPC\_SET\_Key and SPC-TID to be used for mutual V-SPC/SET authentication. The H-SLC forwards SPC\_SET\_KEY and SPC\_TID to the V-SLC through an RLP SSRP message.
- M. The V-SLC forwards SPC\_SET\_Key and SPC-TID to the V-SPC using the PAUTH message.

- N. The H-SLC returns a SUPL AUTH RESP to the SET. The SUPL AUTH RESP message SHALL contain the session-id, SPC\_SET\_Key and SPC-TID.
- O. The SET will evaluate the Notification rules and follow the appropriate actions. The SET establishes a secure connection to the V-SPC according to the address received in step I. The SET and V-SPC perform mutual authentication and the SET sends a SUPL POS INIT message to start a SUPL positioning session with the V-SPC. The SET SHALL send the SUPL POS INIT message even if the SET supported positioning technologies do not include the intended positioning method indicated in the SUPL INIT message. The SUPL POS INIT message contains at least session-id, SET capabilities and Location ID (lid). The SET capabilities include the supported positioning methods (e.g., SET-Assisted A-GPS, SET-Based A-GPS) and associated positioning protocols (e.g., RRLP, RRC, TIA-801 or LPP/LPPe). The SET MAY provide NMR specific for the radio technology being used (e.g., for GSM: TA, RXLEV). The SET MAY provide its position, if this is supported. The SET MAY set the Requested Assistance Data element in the SUPL POS INIT. The SET SHALL also release the connection to the H-SLC. If an initial position calculated based on information received in the SUPL POS INIT message is available which meets the requested QoP, the V-SPC MAY directly proceed to step S and no SUPL POS positioning session takes place..
- P. If the V-SPC cannot translate the lid received in step O into an initial position, the V-SPC sends a PLREQ message to the V-SLC. The PLREQ message contains the session-id2 and the lid. This step is optional and not required if the V-SPC can perform the translation from lid into an initial position itself.
- Q. This step is conditional and only occurs if step P was performed. The V-SLC reports the initial position result back to the V-SPC in a PLRES message. PLRES contains the session-id2 and the posresult. If the initial position meets the required QoP, the V-SPC MAY directly proceed to step S and not engage in a SUPL POS session.
- R. Based on the SUPL POS INIT message including posmethod(s) supported by the SET, the V-SPC SHALL determine the posmethod. If the V-SLC included its approved positioning methods in step F, the V-SPC SHALL only choose an approved method. If required for the posmethod, the V-SPC SHALL use the supported positioning protocol (e.g., RRLP, RRC, TIA-801 or LPP/LPPe) from the SUPL POS INIT message. The SET and the V-SPC exchange several successive positioning procedure messages (a SUPL POS message exchange is shown conceptually in dotted lines). The V-SPC calculates the position estimate based on the received positioning measurements (SET-Assisted) or the SET calculates the position estimate based on assistance obtained from the V-SPC (SET-Based).
- S. Once the position calculation is complete the V-SPC sends a SUPL END message to the SET informing it that no further positioning procedure will be started and that the positioning session is finished. The SET SHALL release all resources related to this session.
- T. The V-SPC informs the V-SLC using a PEND message that the positioning procedure is completed and returns the position result. The V-SPC SHALL release all resources related to this session.
- U. The V-SLC sends a RLP SSRP to the H-SLC carrying the position result. The V-SLC SHALL release all resources related to this session.
- V. The H-SLC sends the position estimate back to the R-SLC using the RLP SRLIA message. The H-SLC SHALL release all resources related to this session.
- W. The R-SLC sends the position estimate back to the SUPL Agent using the MLP SLIA message.

### 5.2.3 Roaming with H-SPC Positioning Successful Case

SUPL Roaming where the H-SPC is involved in the positioning calculation.



**Figure 9: Network Initiated Roaming Successful Case – Non-Proxy-mode with H-SPC**

NOTE 1: See Appendix C for timer descriptions.

- A. The SUPL Agent issues an MLP SLIR message to the R-SLC, with which the SUPL Agent is associated. The R-SLC SHALL authenticate the SUPL Agent and check if the SUPL Agent is authorized for the service it requests, based on the client-id received.
- B. The R-SLC determines the H-SLC based on the received msid. If the R-SLC determines that the SUPL Agent is not authorized for this request, Step U will be returned with the applicable MLP return code.

NOTE 2: The specifics for determining the H-SLC are considered outside scope of SUPL. However, there are various environment dependent mechanisms.

- C. The R-SLC then forwards the location request to the H-SLC of the target subscriber, using RLP protocol. Based on the received ms-id the H-SLC SHALL apply subscriber privacy against the client-id. If a previously computed position which meets the requested QoP is available at the H-SLC and no notification or verification is required, the H-SLC SHALL directly proceed to step T. If notification and verification or notification only is required, the H-SLC SHALL proceed to step G after having performed step D.
- D. The H-SLC verifies that the target SET is currently SUPL Roaming. In addition the H-SLC MAY also verify that the target SET supports SUPL.

NOTE 3: The specifics for determining if the SET is SUPL Roaming or not is considered outside scope of SUPL. However, there are various environment dependent mechanisms.

NOTE 4: Alternatively, the H-SLP may determine whether the SET is SUPL Roaming in a later step using the location identifier (lid) received from the SET.

NOTE 5: The specifics for determining if the SET supports SUPL are beyond SUPL 2.1 scope.

- E. The H-SLC requests service from the H-SPC for the SUPL session by sending a PREQ message containing the session-id2 and the QoP. The H-SLC MAY include its approved positioning methods for this session. If the approved positioning methods are not included, the H-SPC SHALL assume that all its available positioning methods have been approved.
- F. The H-SPC confirms its readiness for a SUPL session with a PRES message containing the session-id2. The H-SPC MAY include a preferred positioning method in the PRES. The H-SPC MAY include its supported positioning methods in the PRES.
- G. The H-SLC initiates the location session with the SET using the SUPL INIT message. The SUPL INIT message contains at least session-id, address of the H-SPC, proxy/non-proxy mode indicator and the intended positioning method. If the result of the privacy check in Step C indicates that notification or verification to the target subscriber is needed, the H-SLC SHALL also include the Notification element in the SUPL INIT message. If in step C the H-SLC decided to use a previously computed position the SUPL INIT message SHALL indicate this in a 'no position' posmethod parameter value and the SET SHALL respond with a SUPL END message to the H-SLC carrying the results of the verification process (access granted, or access denied). If no verification is required (notification only) the SET SHALL respond with a SUPL END message to the H-SLC. The H-SLC SHALL then directly proceed to step T.

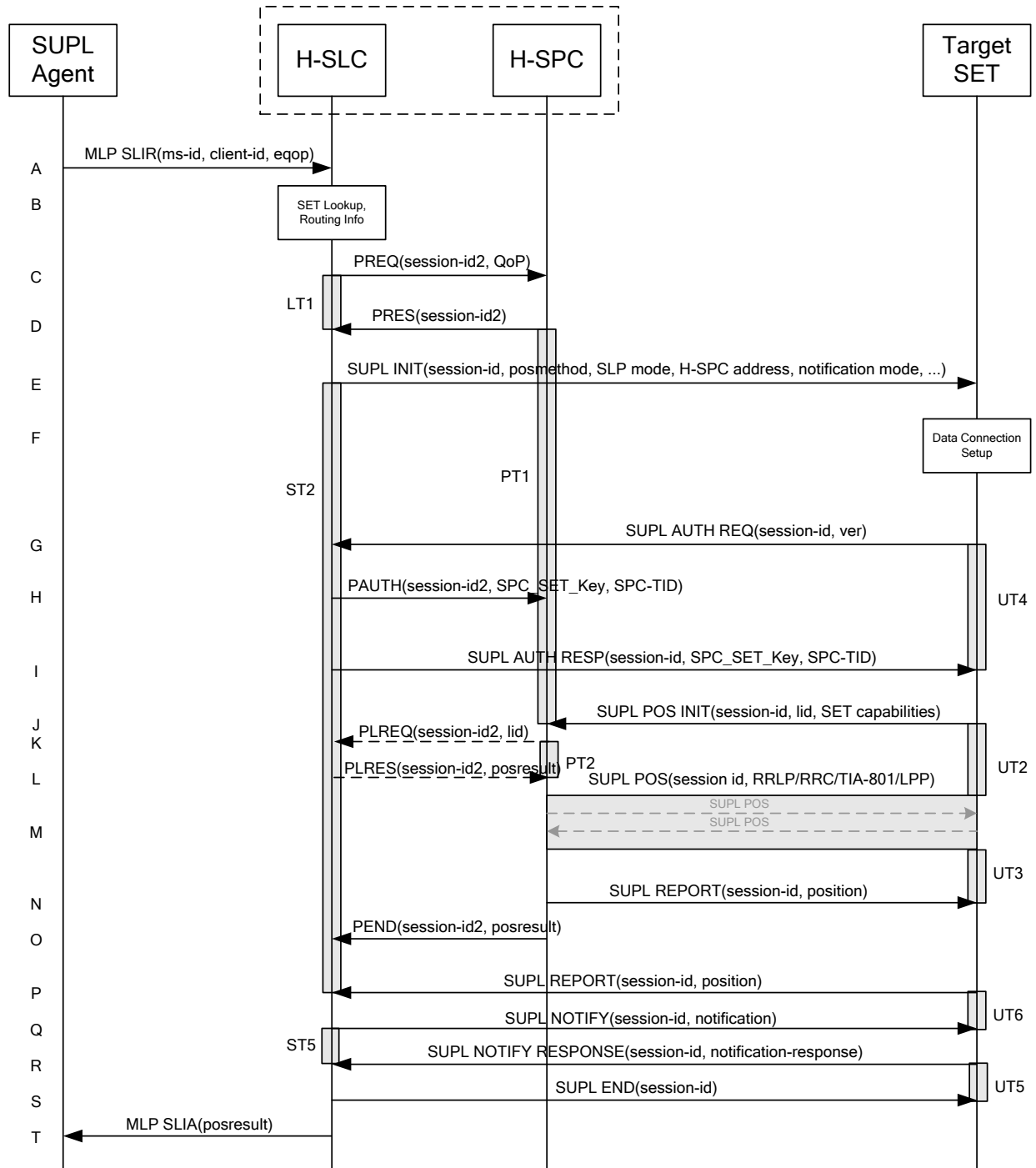
NOTE 6: Before sending the SUPL END message the SET SHALL perform the data connection setup procedure of step H to establish a secure connection to the H-SLC.

- H. The SET analyses the received SUPL INIT. If it is found to be non authentic, the SET takes no further action. Otherwise the SET takes needed action preparing for establishment or resumption of a secure connection.
- I. The SET uses the address provisioned by the Home Network to establish a secure connection to the H-SLC. The SET then checks the proxy/non-proxy mode indicator to determine if the H-SLC uses proxy or non-proxy mode. In this case non-proxy mode is used and the SET SHALL send a SUPL AUTH REQ message to the H-SLC. The SUPL AUTH REQ message SHALL contain session-id and a hash of the received SUPL INIT message (ver).
- J. The H-SLC creates SPC\_SET\_Key and SPC-TID to be used for mutual H-SPC/SET authentication. The H-SLC forwards SPC\_SET\_Key and SPC-TID to the H-SPC using a PAUTH message.
- K. The H-SLC sends a SUPL AUTH RESP message to the SET. The SUPL AUTH RESP message SHALL contain the session-id, SPC\_SET\_Key and SPC-TID.
- L. The SET will evaluate the Notification rules and follow the appropriate actions. The SET establishes a secure connection to the H-SPC according to the address received in step G. The SET and H-SPC perform mutual authentication and the SET then sends a SUPL POS INIT message to start a positioning session with the H-SPC. The SET SHALL send the SUPL POS INIT message even if the SET supported positioning technologies do not include the intended positioning method indicated in the SUPL INIT message. The SUPL POS INIT message contains at least session-id, SET capabilities and Location ID (lid). The SET capabilities include the supported positioning methods (e.g., SET-Assisted A-GPS, SET-Based A-GPS) and associated positioning protocols (e.g.,

RRLP, RRC, TIA-801 or LPP/LPPE). The SET MAY provide NMR specific data for the radio technology being used (e.g., for GSM: TA, RXLEV). The SET MAY provide its position, if this is supported. The SET MAY set the Requested Assistance Data element in the SUPL POS INIT. If an initial position calculated based on information received in the SUPL POS INIT message is available which meets the requested QoP, the H-SPC MAY directly proceed to step R. The SET SHALL also release the connection to the H-SLC.

- M. The H-SPC sends a PLREQ message to the H-SLC informing it that the target SET has established the session and including the lid and optionally the NMR specific data for the radio technology being used (e.g., for GSM: TA, RXLEV).
- N. The H-SLC sends an RLP SRLIR request to the V-SLC to determine an initial position for further exchange of SUPL POS messages between SET and H-SPC. The RLP request contains at least the msid and the Location ID (lid). Optionally the H-SLC MAY forward NMR provided by the SET to the V-SLC.
- O. The V-SLC returns a RLP SRLIA message to the H-SLC. The RLP SRLIA message contains at least the position result.
- P. The H-SLC informs the H-SPC of the initial position in a PLRES message. If the computed position meets the requested QoP, the H-SPC MAY directly move to step R and not engage in a SUPL POS session.
- Q. Based on the SUPL POS INIT message including posmethod(s) supported by the SET the H-SPC SHALL determine the posmethod. If the H-SLC included its approved positioning methods in step E, the H-SPC SHALL only choose an approved method. If required for the posmethod the H-SPC SHALL use the supported positioning protocol (e.g., RRLP, RRC, TIA-801 or LPP/LPPE) from the SUPL POS INIT message.  
The SET and the H-SPC exchange several successive positioning procedure messages (a SUPL POS message exchange is shown conceptually in dotted lines).  
The H-SPC calculates the position estimate based on the received positioning measurements (SET-Assisted) or the SET calculates the position estimate based on assistance obtained from the H-SPC (SET-Based).
- R. Once the position calculation is complete the H-SPC sends SUPL END message to the SET informing it that no further positioning procedure will be started and that the positioning session is finished. The SET SHALL release all resources related to this session.
- S. The H-SPC informs the H-SLC in a PEND message that the positioning procedure is completed and includes the position estimate result. The H-SPC SHALL release all resources related to this session.
- T. The H-SLC sends the position estimate back to the R-SLC using the RLP SRLIA message. The H-SLC SHALL release all resources related to this session.
- U. The R-SLC sends the position estimate back to the SUPL Agent using the MLP SLIA message.

### 5.2.4 Non-Roaming Successful Case, Notification/Verification based on current location



**Figure 10: Notification/Verification based on current location, Network Initiated Non-Roaming Successful Case – Non-Proxy mode**

NOTE 1: See Appendix C for timer descriptions.

- A. The SUPL Agent issues an MLP SLIR message to the H-SLC, with which SUPL Agent is associated. The H-SLC shall authenticate the SUPL Agent and check if the SUPL Agent is authorized for the service it requests, based on

the client-id received. Further, based on the received ms-id the H-SLC shall apply subscriber privacy against the client-id.

If a previously computed position which meets the requested QoP is available at the H-SLC and, based on that position, no notification or verification is required, the H-SLC SHALL directly proceed to step T. If, based on that position, notification and verification or notification only is required, the H-SLC SHALL proceed to step B.

- B. The H-SLC verifies that the target SET is currently not SUPL Roaming.  
The H-SLC MAY also verify that the target SET supports SUPL.

NOTE 2: The specifics for determining if the SET is SUPL Roaming or not is considered outside scope of SUPL. However, there are various environment dependent mechanisms.

- C. The H-SLC requests service from the H-SPC for a SUPL session by sending a PREQ message containing the session-id2 and the QoP. If notification or verification based on current location is required, the H-SLC SHALL include the notification mode parameter. The H-SLC MAY include its approved positioning methods for this session. If the approved positioning methods are not included, the H-SPC SHALL assume that all its available positioning methods have been approved.
- D. The H-SPC accepts the service request for a SUPL session from the H-SLC with a PRES message containing the session-id2. The H-SPC MAY include a preferred positioning method in the PRES. The H-SPC MAY include its supported positioning methods in the PRES.
- E. The H-SLC initiates the location session with the SET using the SUPL INIT message. The SUPL INIT message contains at least session-id, address of the H-SPC, proxy/non-proxy mode indicator and the intended positioning method. As in this case the result of the privacy check in Step A indicates that subscriber privacy check based on current location is required, the H-SLC SHALL include the Notification Mode element in the SUPL INIT message to indicate notification based on current location and SHALL NOT include the notification element in the SUPL INIT message. If in step A, the H-SLC decided to use a previously computer position, the SUPL INIT message SHALL indicate this in a 'no position' posmethod parameter value and the SET SHALL respond with a SUPL END message carrying the results of the verification process (access granted or access denied). If no explicit verification is required (notification only) the SET SHALL respond with a SUPL END message. The H-SLC SHALL then directly proceed to step T.

NOTE 3: Before sending the SUPL END message the SET SHALL perform the data connection setup procedure of step F.

- F. The SET analyses the received SUPL INIT. If it is found to be non authentic, the SET takes no further action. Otherwise the SET takes needed action preparing for establishment or resumption of a secure connection.
- G. The SET uses the address provisioned by the Home Network to establish a secure connection to the H-SLC. The SET then checks the proxy/non-proxy mode indicator to determine if the H-SLP uses proxy or non-proxy mode. In this case non-proxy mode is used and the SET SHALL send a SUPL AUTH REQ message to the H-SLC. The SUPL AUTH REQ message SHALL contain session-id and a hash of the received SUPL INIT message (ver).
- H. The H-SLC creates SPC\_SET\_Key and SPC-TID to be used for mutual H-SPC/SET authentication. The H-SLC forwards SPC\_SET\_Key and SPC-TID to the H-SPC using a PAUTH message which also includes the session id.
- I. The H-SLC returns a SUPL AUTH RESP message to the SET. The SUPL AUTH RESP message SHALL contain the session-id, SPC\_SET\_Key and SPC-TID.
- J. The SET will evaluate the Notification rules and follow the appropriate actions. The SET checks the notification mode indicator and determines that in this case the notification is performed based on the location of the SET. The SET establishes a secure connection to the H-SPC according to the address received in step E. The SET and H-SPC perform mutual authentication and the SET sends a SUPL POS INIT message to start a positioning session with the H-SPC. The SUPL POS INIT message contains at least session-id, SET capabilities and Location ID (lid). The SET capabilities include the supported positioning methods (e.g., SET-Assisted A-GPS, SET-Based A-GPS) and associated positioning protocols (e.g., RRLP, RRC, TIA-801 or LPP/LPPE). The SET MAY provide NMR specific for the radio technology being used (e.g., for GSM: TA, RXLEV). The SET MAY provide its position, if these are available and supported by both SET and H-SPC. The SET MAY set the Requested Assistance Data element in the

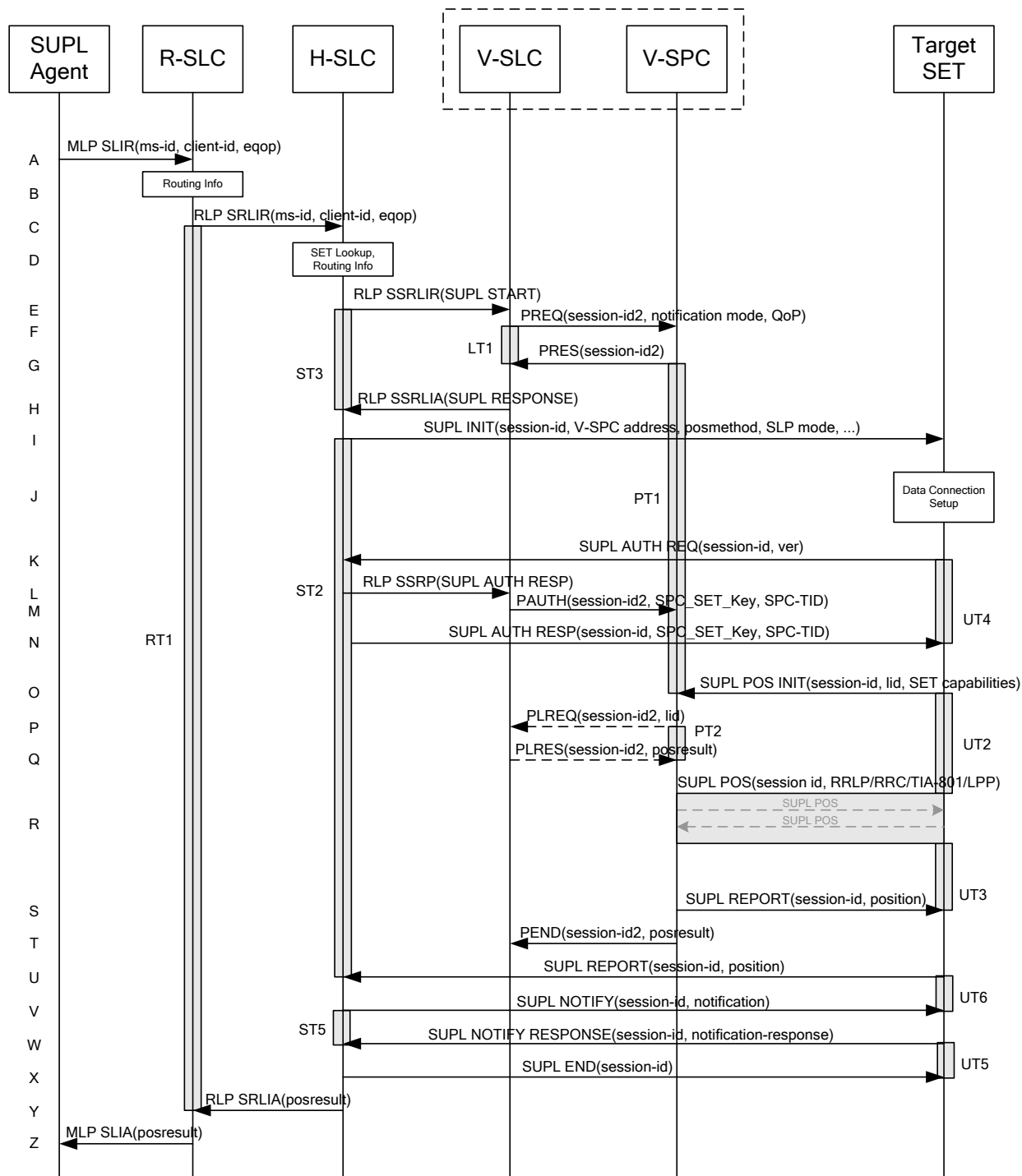


SUPL POS INIT. The SET SHALL also release the IP connection to the H-SLC and release all resources related to this session. If an initial position calculated based on information received in the SUPL POS INIT message is available which meets the requested QoP, the H-SPC MAY directly proceed to step N and no SUPL POS positioning session takes place.

- K. If the H-SPC cannot translate the lid received in step J into an initial position, the H-SPC sends a PLREQ message to the H-SLC. The PLREQ message contains the session-id2 and the lid. This step is optional and not required if the H-SPC can perform the translation from lid into an initial position itself.
- L. This step is conditional and only occurs if step K was performed. The H-SLC reports the initial position result back to the H-SPC in a PLRES message. PLRES contains the session-id2 and the posresult. If the initial position meets the required QoP, the H-SPC MAY directly proceed to step N and not engage in a SUPL POS session.
- M. Based on the SUPL POS INIT message including posmethod(s) supported by the SET the H-SPC SHALL determine the posmethod. If the H-SLC included its approved positioning methods in step C, the H-SPC SHALL only choose an approved method. If required for the posmethod the H-SPC SHALL use the supported positioning protocol (e.g., RRLP, RRC, TIA-801 or LPP/LPPe) from the SUPL POS INIT message  
The SET and the H-SPC exchange several successive positioning procedure messages.  
The H-SPC calculates the position estimate based on the received positioning measurements (SET-Assisted) or the SET calculates the position estimate based on assistance obtained from the H-SPC (SET-Based).
- N. As in this case in step C the H-SLC indicated that notification or verification is required based on the position of the SET, the H-SPC sends the calculated position to the SET in a SUPL REPORT message.
- O. The H-SPC sends a PEND message to the H-SLC indicating the end of the SUPL session. The H-SPC SHALL release all resources related to this session
- P. As in this case in step E the H-SLC indicated that notification or verification is based on the position of the SET, the SET sends the calculated position to the H-SLC in a SUPL REPORT message.
- Q. The H-SLC applies subscriber privacy against the SET position estimate. If, based on this position, notification and verification or notification only is required, the H-SLP SHALL send a SUPL NOTIFY message to the SET. The SUPL NOTIFY message contains the notification element. If, based on this position, no notification and verification is required, the H-SLP SHALL directly proceed to Step S.
- R. The SET SHALL then send an SUPL NOTIFY RESPONSE message to the H-SLC. If notification and verification was required in Step Q then this will contain the notification response from the user.
- S. Once the position calculation is complete the H-SLC sends the SUPL END message to the SET informing it that no further positioning procedure will be started and that the SUPL session is finished. The SET SHALL release the secure connection to the H-SLC and release all resources related to this session.
- T. The H-SLC sends the position estimate back to the SUPL Agent in an MLP SLIA message and H-SLC can release all resources related to this session. The H-SLC SHALL release all resources related to this session.

### 5.2.5 Roaming with V-SPC Positioning Successful Case, Notification/Verification based on current location

SET Roaming where the V-SPC is involved in the positioning calculation.



**Figure 11: Notification/Verification based on current location, Network Initiated Roaming Successful Case – Non-Proxy-mode with V-SPC positioning**

NOTE 1: See Appendix C for timer descriptions.

- A. The SUPL Agent issues an MLP SLIR message to the R-SLC, with which SUPL Agent is associated. The R-SLC SHALL authenticate the SUPL Agent and check if the SUPL Agent is authorized for the service it requests, based on the client-id received.

- B. The R-SLC determines the H-SLC based on the received msid. If the R-SLC determines that the SUPL Agent is not authorized for this request, Step Z will be returned with the applicable MLP return code.

NOTE 2: The specifics for determining the H-SLC are considered outside scope of SUPL. However, there are various environment dependent mechanisms.

- C. The R-SLC then forwards the location request to the H-SLC of the target subscriber, using RLP protocol. If a previously computed position which meets the requested QoP is available at the H-SLC and, based on that position, no notification or verification is required, the H-SLC SHALL directly proceed to step Y. If, based on that position, notification and verification or notification only is required, the H-SLP SHALL proceed to step I after having performed the SET Lookup and Routing Info procedures of step D. Based on the received ms-id the H-SLC SHALL apply subscriber privacy against the client-id.
- D. The H-SLC verifies that the target SET is currently SUPL Roaming. In addition the H-SLP MAY also verify that the target SET supports SUPL.

NOTE 3: The specifics for determining if the SET is SUPL Roaming or not is considered outside scope of SUPL. However, there are various environment dependent mechanisms.

- E. The H-SLC allocates a session-id for the SUPL session and decides that the V-SLP will provide assistance data or perform the position calculation. The H-SLC sends an RLP SSRLIR to the V-SLC to inform the V-SLC that the target SET will initiate a SUPL positioning procedure. Mandatory parameters in SUPL START that are not known to H-SLP (lid and SET capabilities) shall be populated with arbitrary values by H-SLC and be ignored by V-SLC. If the result of the privacy check in Step C indicates that notification and verification is required based on the actual location of the target SET user, the H-SLC will inform the V-SLC accordingly.
- F. The V-SLC requests service from the V-SPC for a SUPL session by sending a PREQ message containing the session-id2 and the QoP. As in this case, notification or verification based on current location is required, the H-SLC SHALL include the notification mode parameter. The V-SLC MAY include its approved positioning methods for this session. If the approved positioning methods are not included, the V-SPC SHALL assume that all its available positioning methods have been approved.
- G. The V-SPC accepts the service request for a SUPL session from the V-SLC with a PRES message containing the session-id2. The V-SPC MAY include a preferred positioning method in the PRES. The V-SPC MAY include its supported positioning methods in the PRES.
- H. The V-SLC acknowledges that V-SPC is ready to engage in a SUPL positioning procedure with an RLP SSRLIA back to the H-SLC. The message includes the address of the V-SPC.
- I. The H-SLC initiates the location session with the SET using the SUPL INIT message. The SUPL INIT message contains at least session-id, address of the V-SPC, proxy/non-proxy mode indicator and the intended positioning method. If the result of the privacy check in Step D indicates that subscriber privacy check based on current location is required, the H-SLP SHALL include the Notification Mode element in the SUPL INIT message to indicate notification based on current location and SHALL NOT include the notification element in the SUPL INIT message.

If in step C the H-SLP decided to use a previously computed position the SUPL INIT message SHALL indicate this in a 'no position' posmethod parameter value and the SET SHALL respond with a SUPL END message to the H-SLP carrying the results of the verification process (access granted, or access denied). If no verification is required (notification only) the SET SHALL respond with a SUPL END message to the H-SLC. The H-SLC SHALL then directly proceed to step Y.

NOTE 4: Before sending the SUPL END message the SET SHALL perform the data connection setup procedure of step J.

- J. The SET analyses the received SUPL INIT. If it is found to be non authentic, the SET takes no further action. Otherwise the SET takes needed action preparing for establishment or resumption of a secure connection.
- K. The SET uses the address provisioned by the Home Network to establish a connection to the H-SLC. The SET then checks the proxy/non-proxy mode indicator to determine if the H-SLP uses proxy or non-proxy mode. In this case

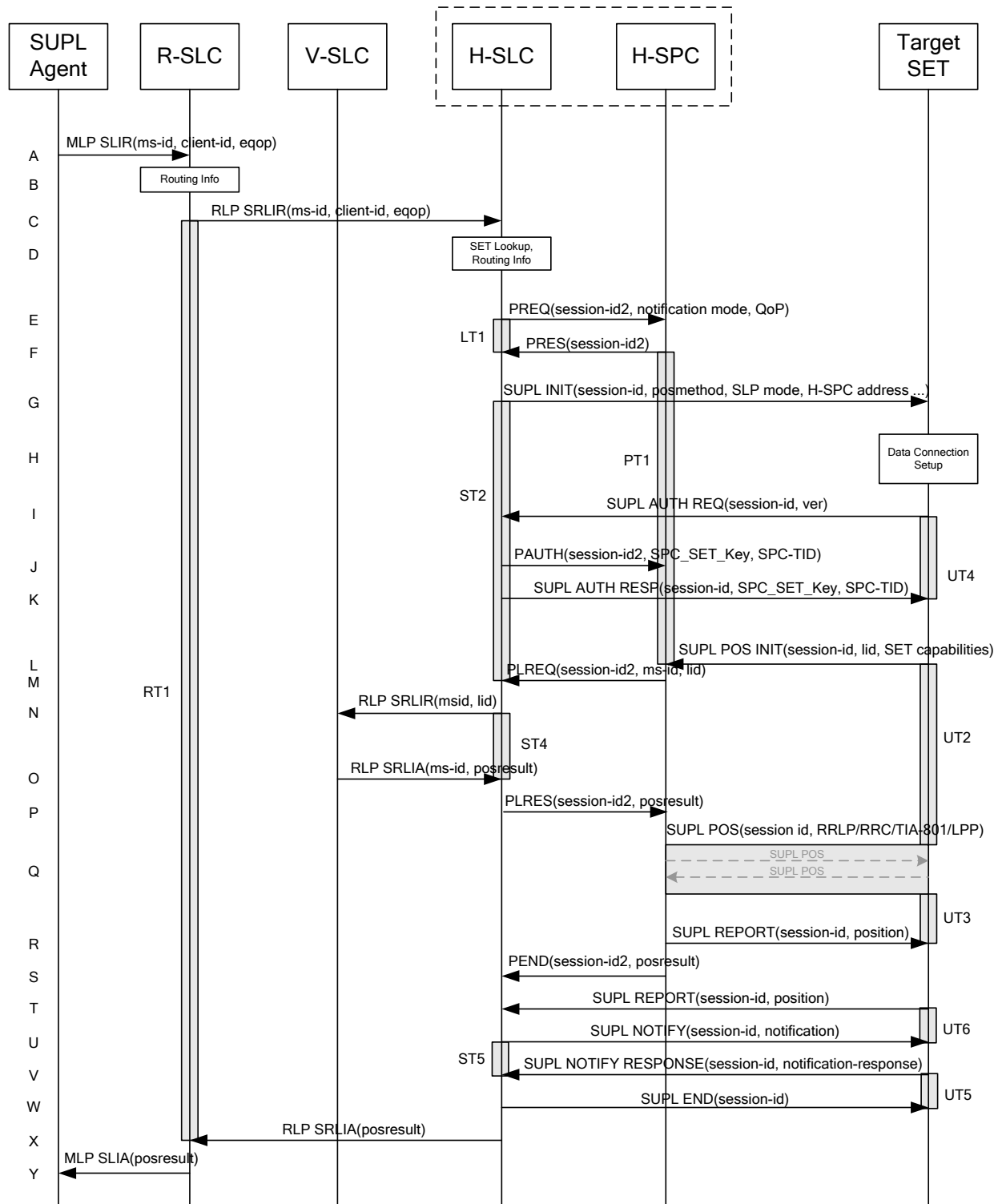
non-proxy mode is used and the SET SHALL send a SUPL AUTH REQ message to the H-SLC. The SUPL AUTH REQ message SHALL contain session-id and a hash of the received SUPL INIT message (ver).

- L. The H-SLC creates SPC\_SET\_Key and SPC-TID to be used for mutual V-SPC/SET authentication. The H-SLC forwards SPC\_SET\_Key and SPC-TID to the V-SLC through an RLP SSRP message.
- M. The V-SLC forwards SPC\_SET\_Key and SPC-TID to the V-SPC using the PAUTH message.
- N. The H-SLC returns a SUPL AUTH RESP to the SET. The SUPL AUTH RESP message SHALL contain the session-id, SPC\_SET\_Key and SPC-TID.
- O. The SET will evaluate the Notification rules and follow the appropriate actions. The SET checks the notification mode indicator and determines that in this case the notification is performed based on the location of the SET. The SET establishes a secure connection to the V-SPC according to the address received in step I. The SET and V-SPC perform mutual authentication and the SET sends a SUPL POS INIT message to start a SUPL positioning session with the V-SPC. The SUPL POS INIT message contains at least session-id, SET capabilities and Location ID (lid). The SET capabilities include the supported positioning methods (e.g., SET-Assisted A-GPS, SET-Based A-GPS) and associated positioning protocols (e.g., RRLP, RRC, TIA-801 or LPP/LPPE). The SET MAY provide NMR specific for the radio technology being used (e.g., for GSM: TA, RXLEV). The SET MAY provide its position, if these are available and supported by both SET and V-SPC. The SET MAY set the Requested Assistance Data element in the SUPL POS INIT. The SET SHALL also release the connection to the H-SLC. If an initial position calculated based on information received in the SUPL POS INIT message is available which meets the requested QoP, the V-SPC MAY directly proceed to step S and no SUPL POS positioning session takes place.
- P. If the V-SPC cannot translate the lid received in step O into an initial position, the V-SPC sends a PLREQ message to the V-SLC. The PLREQ message contains the session-id2 and the lid. This step is optional and not required if the V-SPC can perform the translation from lid into an initial position itself.
- Q. This step is conditional and only occurs if step P was performed. The V-SLC reports the initial position result back to the V-SPC in a PLRES message. PLRES contains the session-id2 and the posresult. If the initial position meets the required QoP, the V-SPC MAY directly proceed to step S and not engage in a SUPL POS session.
- R. Based on the SUPL POS INIT message including posmethod(s) supported by the SET, the V-SPC SHALL determine the posmethod. If the V-SLC included its approved positioning methods in step F, the V-SPC SHALL only choose an approved method. If required for the posmethod, the V-SPC SHALL use the supported positioning protocol (e.g., RRLP, RRC, TIA-801 or LPP/LPPE) from the SUPL POS INIT message. The SET and the V-SPC exchange several successive positioning procedure messages. The V-SPC calculates the position estimate based on the received positioning measurements (SET-Assisted) or the SET calculates the position estimate based on assistance obtained from the V-SPC (SET-Based).
- S. As in this case in step F the V-SLC indicated that notification or verification is required based on the position of the SET, the V-SPC sends the calculated position to the SET in a SUPL REPORT message.
- T. The V-SPC informs the V-SLC using a PEND message that the positioning procedure is completed and returns the position result. The V-SPC SHALL release all resources related to this session.
- U. As in this case in step I the H-SLC indicated that notification or verification is based on the position of the SET, the SET sends the calculated position to the H-SLC in a SUPL REPORT message.
- V. The H-SLC applies subscriber privacy against the SET position estimate. If, based on this position, notification and verification or notification only is required, the H-SLP SHALL send a SUPL NOTIFY message to the SET. The SUPL NOTIFY message contains notification element. If, based on this position, no notification and verification is required, the H-SLC SHALL directly proceed to Step X.
- W. The SET SHALL then send an SUPL NOTIFY RESPONSE message to the H-SLP. If notification and verification was required in Step V then this will contain the notification response from the user.
- X. Once the position calculation is complete the H-SLC sends a SUPL END message to the SET informing it that no further positioning procedure will be started and that the positioning session is finished. The SET SHALL release all resources related to this session.

- Y. The H-SLC sends the position estimate back to the R-SLC in an RLP SRLIA message. The H-SLP SHALL release all resources related to this session.
- Z. The R-SLC sends the position estimate back to the SUPL Agent in an MLP SLIA message.

## **5.2.6 Roaming with H-SPC Positioning Successful Case, Notification/Verification based on current location**

SUPL Roaming where the H-SPC is involved in the positioning calculation.



**Figure 12: Notification/Verification based on current location, Network Initiated Roaming Successful Case – Non-Proxy-mode with H-SPC positioning**

NOTE 1: See Appendix C for timer descriptions.

- A. The SUPL Agent issues an MLP SLIR message to the R-SLC, with which SUPL Agent is associated. The R-SLC SHALL authenticate the SUPL Agent and check if the SUPL Agent is authorized for the service it requests, based on the client-id received.
- B. The R-SLC determines the H-SLC based on the received msid. If the R-SLC determines that the SUPL Agent is not authorized for this request, Step Y will be returned with the applicable MLP return code.

NOTE 2: The specifics for determining the H-SLC are considered outside scope of SUPL. However, there are various environment dependent mechanisms.

- C. The R-SLC then forwards the location request to the H-SLC of the target subscriber, using RLP protocol. If a previously computed position which meets the requested QoP is available at the H-SLC and, based on that position, no notification or verification is required, the H-SLC SHALL directly proceed to step X. If, based on that position, notification and verification or notification only is required, the H-SLC SHALL proceed to step G after having performed the SET Lookup and Routing Info procedures of step D.
- D. Based on the received ms-id the H-SLC SHALL apply subscriber privacy against the client-id. The H-SLC verifies that the target SET is currently SUPL Roaming. In addition the H-SLC MAY also verify that the target SET supports SUPL.

NOTE 3: The specifics for determining if the SET is SUPL Roaming or not is considered outside scope of SUPL. However, there are various environment dependent mechanisms.

NOTE 4: Alternatively, the H-SLP may determine whether the SET is SUPL Roaming in a later step using the location identifier (lid) received from the SET.

- E. The H-SLC requests service from the H-SPC for a SUPL session by sending a PREQ message containing the session-id2 and the QoP. If notification or verification based on current location is required, the H-SLC SHALL include the notification mode parameter. The H-SLC MAY include its approved positioning methods for this session. If the approved positioning methods are not included, the H-SPC SHALL assume that all its available positioning methods have been approved.
- F. The H-SPC accepts the service request for a SUPL session from the H-SLC with a PRES message containing the session-id2. The H-SPC MAY include a preferred positioning method in the PRES. The H-SPC MAY include its supported positioning methods in the PRES.
- G. The H-SLC initiates the location session with the SET using the SUPL INIT message. The SUPL INIT message contains at least session-id, address of the H-SPC, proxy/non-proxy mode indicator and the intended positioning method. As in this case the result of the privacy check in Step D indicates that subscriber privacy check based on current location is required, the H-SLC SHALL include the Notification Mode element in the SUPL INIT message to indicate notification based on current location and SHALL NOT include the notification element in the SUPL INIT message .  
If in step C the H-SLC decided to use a previously computed position the SUPL INIT message SHALL indicate this in a 'no position' posmethod parameter value and the SET SHALL respond with a SUPL END message to the H-SLC carrying the results of the verification process (access granted, or access denied). If no verification is required (notification only) the SET SHALL respond with a SUPL END message to the H-SLC. The H-SLC SHALL then directly proceed to step X.

NOTE 5: Before sending the SUPL END message the SET SHALL perform the data connection setup procedure of step H.

- H. The SET analyses the received SUPL INIT. If it is found to be non authentic, the SET takes no further action. Otherwise the SET takes needed action preparing for establishment or resumption of a secure connection.
- I. The SET uses the address provisioned by the Home Network to establish a secure connection to the H-SLC. The SET then checks the proxy/non-proxy mode indicator to determine if the H-SLC uses proxy or non-proxy mode. In this case non-proxy mode is used and the SET SHALL send a SUPL AUTH REQ message to the H-SLC. The SUPL AUTH REQ message SHALL contain session-id and a hash of the received SUPL INIT message (ver).

- J. The H-SLC creates SPC\_SET\_Key and SPC-TID to be used for mutual H-SPC/SET authentication. The H-SLC forwards SPC\_SET\_Key and SPC-TID to the H-SPC using a PAUTH message.
- K. The H-SLC returns a SUPL AUTH RESP message to the SET. The SUPL AUTH RESP message SHALL contain the session-id, SPC\_SET\_Key and SPC-TID.
- L. The SET will evaluate the Notification rules and follow the appropriate actions. The SET checks the notification mode indicator and determines that in this case the notification is performed based on the location of the SET. The SET establishes a secure connection to the H-SPC according to the address received in step G. The SET and H-SPC perform mutual authentication and the SET then sends a SUPL POS INIT message to start a positioning session with the H-SPC. The SUPL POS INIT message contains at least session-id, SET capabilities and Location ID (lid). The SET capabilities include the supported positioning methods (e.g., SET-Assisted A-GPS, SET-Based A-GPS) and associated positioning protocols (e.g., RRLP, RRC, TIA-801 or LPP/LPPe). The SET MAY provide NMR specific data for the radio technology being used (e.g., for GSM: TA, RXLEV). The SET MAY provide its position, if these are available and supported by both SET and H-SPC. The SET MAY set the Requested Assistance Data element in the SUPL POS INIT. If an initial position calculated based on information received in the SUPL POS INIT message is available which meets the requested QoP, the H-SPC MAY directly proceed to step R. The SET SHALL also release the connection to the H-SLC.
- M. The H-SPC sends a PLREQ message to the H-SLC informing it that that the target SET has established the session and including the lid and optionally the NMR specific data for the radio technology being used (e.g., for GSM: TA, RXLEV).
- N. The H-SLC sends a RLP SRLIR request to the V-SLC to determine an initial position for further exchange of SUPL POS messages between SET and H-SPC. The RLP request contains at least the msid and the Location ID (lid). Optionally the H-SLC MAY forward NMR provided by the SET to the V-SLC.
- O. The V-SLP returns a RLP SRLIA message. The RLP SRLIA message contains the position result.
- P. The H-SLC informs the H-SPC of the initial position in a PLRES message. If the computed position meets the requested QoP, the H-SPC MAY directly move to step R and not engage in a SUPL POS session.
- Q. Based on the SUPL POS INIT message including posmethod(s) supported by the SET the H-SPC SHALL determine the posmethod. If the H-SLC included its approved positioning methods in step E, the H-SPC SHALL only choose an approved method. If required for the posmethod the H-SPC SHALL use the supported positioning protocol (e.g., RRLP, RRC, TIA-801 or LPP/LPPe) from the SUPL POS INIT message.  
The SET and the H-SPC exchange several successive positioning procedure messages.  
The H-SPC calculates the position estimate based on the received positioning measurements (SET-Assisted) or the SET calculates the position estimate based on assistance obtained from the H-SPC (SET-Based).
- R. As in this case in step E the H-SLC indicated that notification or verification is required based on the position of the SET, the H-SPC sends the calculated position to the SET in a SUPL REPORT message.
- S. The H-SPC informs the H-SLC in a PEND message that the positioning procedure is completed and includes the position estimate result. The H-SPC SHALL release all resources related to this session.
- T. As in this case in step G the H-SLC indicated that notification or verification is based on the position of the SET, the SET sends the calculated position to the H-SLC in a SUPL REPORT message.
- U. The H-SLC applies subscriber privacy against the SET position estimate. If, based on this position, notification and verification or notification only is required, the H-SLC SHALL send a SUPL NOTIFY message to the SET. The SUPL NOTIFY message contains notification element. If, based on this position, no notification and verification is required, the H-SLC SHALL directly proceed to Step W.
- V. The SET SHALL then send an SUPL NOTIFY RESPONSE message to the H-SLC. If notification and verification was required in step U then this will contain the notification response from the user.
- W. Once the position calculation is complete the H-SLC sends SUPL END message to the SET informing it that no further positioning procedure will be started and that the positioning session is finished. The SET SHALL release all resources related to this session.



- X. The H-SLC sends the position estimate back to the R-SLP in an RLP SRLIA message. The H-SLC SHALL release all resources related to this session.
- Y. The R-SLP sends the position estimate back to the SUPL Agent in an MLP SLIA message.

### 5.3 Exception Procedures

This section describes the exception procedures for Network Initiated Immediate scenarios.

#### 5.3.1 SET Does Not Allow Positioning for Non Roaming

After receiving a SUPL INIT message the SET executes the notification/verification procedure. In this scenario, the subscriber rejects the location request. The flow shown in Figure 13 applies to both proxy and non-proxy mode.

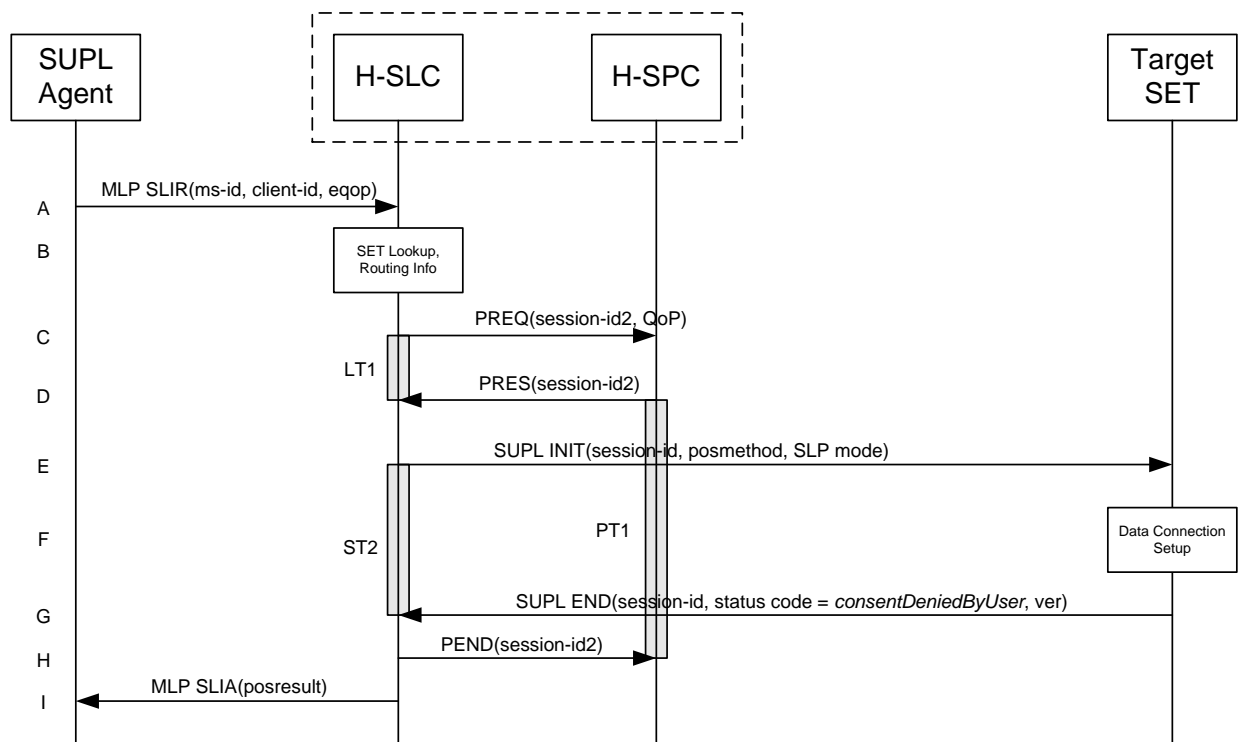


Figure 13: Network Initiated SET User Rejects Positioning for Non-Roaming.

NOTE 1: See Appendix C for timer descriptions.

- A. SUPL Agent issues an MLP SLIR message to the H-SLP, with which the SUPL Agent is associated. The H-SLP SHALL authenticate the SUPL Agent and check if the SUPL Agent is authorized for the service it requests, based on the client-id received. Further, based on the received ms-id the H-SLP SHALL apply subscriber privacy against the client-id.
- B. The H-SLP verifies that the target SET is currently not SUPL Roaming. The H-SLP may also verify that the target SET supports SUPL.

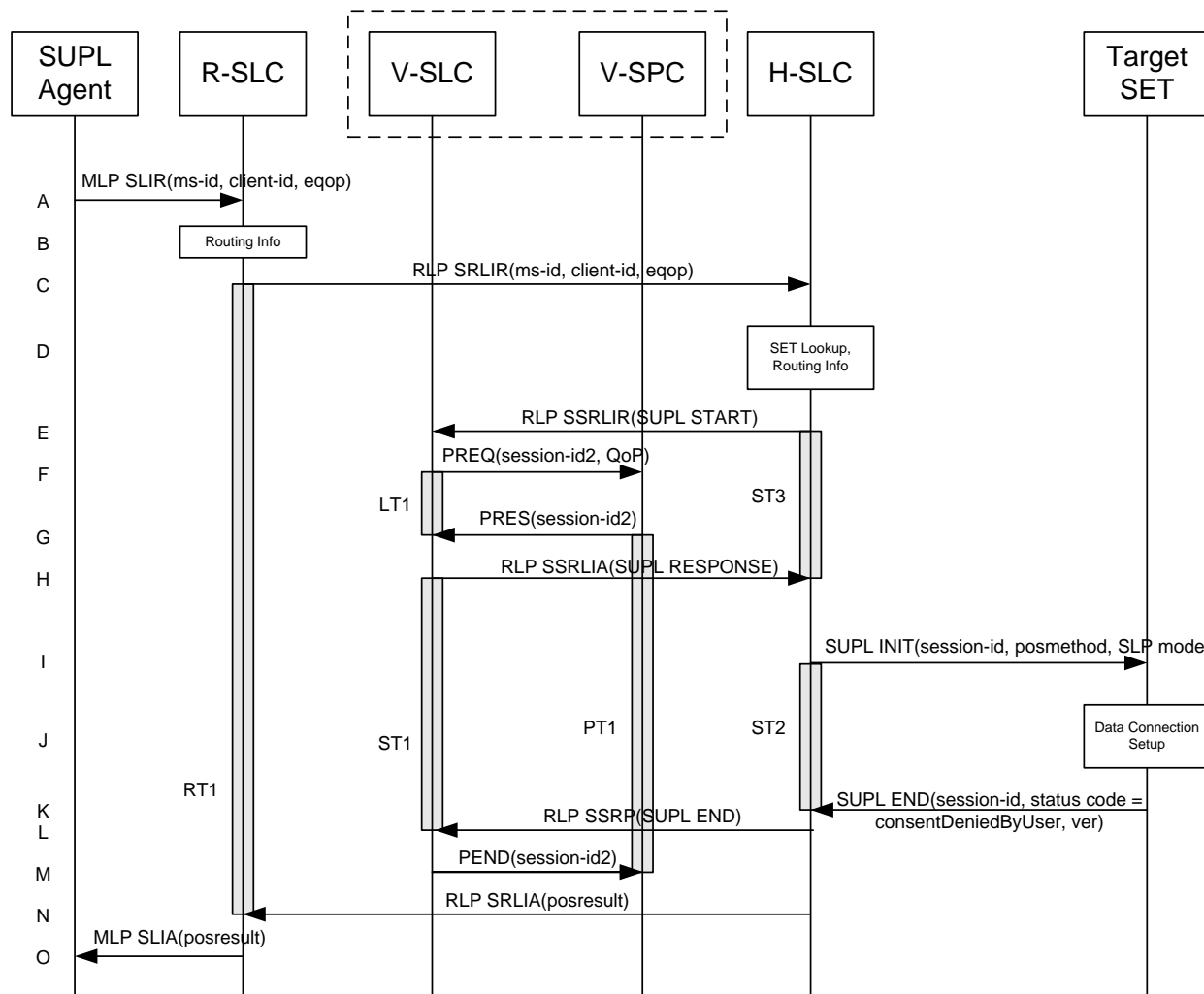
NOTE 2: The specifics for determining if the SET is SUPL Roaming or if the SET supports SUPL is considered out of scope for SUPL (there are various environment dependent mechanisms).

- C. The H-SLC requests service from the H-SPC for a SUPL session by sending a PREQ message containing the session-id2 and the QoP. The H-SLC MAY include its approved positioning methods for this session. If the approved positioning methods are not included, the H-SPC SHALL assume that all its available positioning methods have been approved.

- D. The H-SPC accepts the service request for a SUPL session from the H-SLC with a PRES message containing the session-id2. The H-SPC MAY include a preferred positioning method in the PRES. The H-SPC MAY include its supported positioning methods in the PRES.
- E. The H-SLP initiates the location session with the SET using the SUPL INIT message. The SUPL INIT message contains at least session-id, proxy/non-proxy mode indicator and the intended positioning method. The SUPL INIT MAY contain the protection level, the desired QoP and the address of the H-SLP. The protection level indicates the level of protection for the SUPL INIT message. In this case the result of the privacy check in Step A indicated that notification or verification to the target subscriber is required, and the H-SLP therefore includes the Notification element in the SUPL INIT message
- F. The SET analyses the received SUPL INIT. If found to be non authentic, the SET takes no further action. Otherwise the SET takes needed action preparing for establishment or resumption of a secure connection.
- G. The SET evaluates the notification rules and alerts the subscriber of the position request. In this case the user rejects the location request, either by explicit action or implicitly by not responding to the notification. The SET returns a SUPL END message to the H-SLC containing the session-id, a hash of the received SUPL INIT message (ver) and the status code *consentDeniedByUser*.
- H. The H-SLC sends a PEND message to the H-SPC to terminate the SUPL session.
- I. The H-SLC sends the position response, containing the ms-id, client-id, and the appropriate error-code back to the SUPL Agent using an MLP SLIA message.

### 5.3.2 SET Does Not Allow Positioning for Roaming with V-SLP

After receiving a SUPL INIT message the SET executes the notification/verification procedure. In this scenario, the subscriber rejects the location request. The flow shown in Figure 14 applies to both proxy and non-proxy mode for roaming with V-SLP.



**Figure 14: Network Initiated SET User Denies Positioning for Roaming with V-SLP**

NOTE 1: See Appendix C for timer descriptions.

- A. The SUPL Agent issues an MLP SLIR message to the R-SLC, with which SUPL Agent is associated. The R-SLC SHALL authenticate the SUPL Agent and check if the SUPL Agent is authorized for the service it requests, based on the client-id received.
- B. The R-SLC determines the H-SLC based on the received msid. If the R-SLP determines that the SUPL Agent is not authorized for this request, Step L will be returned with the applicable MLP return code.

NOTE 2: The specifics for determining the H-SLC are considered outside scope of SUPL (there are various environment dependent mechanisms).

- C. The R-SLC forwards the location request to the H-SLC of the target subscriber, using the RLP protocol. Based on the received ms-id the H-SLC SHALL apply subscriber privacy against the client-id. If a previously computed position which meets the requested QoP is available at the H-SLC, the H-SLC SHALL proceed to step I after having performed the step D.
- D. The H-SLC verifies that the target SET is currently SUPL Roaming. In addition the H-SLC MAY also verify that the target SET supports SUPL.

NOTE 3: The specifics for determining if the SET is SUPL Roaming or not is considered outside the scope of SUPL. However, there are various environment dependent mechanisms.

NOTE 4: The specifics for determining if the SET supports SUPL are beyond SUPL 2.1 scope

- E. The H-SLC sends an RLP SSRLIR to the V-SLC to inform the V-SLC that the target SET will initiate a SUPL positioning procedure. Mandatory parameters in SUPL START that are not known to the H-SLC (lid and SET capabilities) shall be populated with arbitrary values by the H-SLC and be ignored by V-SLC. The SET part of the session-id will not be included in this message by the H-SLC to distinguish this scenario from a SET Initiated scenario.
- F. The V-SLC requests service from the V-SPC for a SUPL session by sending a PREQ message containing the session-id2 and the QoP. The V-SLC MAY include its approved positioning methods for this session. If the approved positioning methods are not included, the V-SPC SHALL assume that all its available positioning methods have been approved.
- G. The V-SPC accepts the service request for a SUPL session from the V-SLC with a PRES message containing the session-id2. The V-SPC MAY include a preferred positioning method in the PRES. The V-SPC MAY include its supported positioning methods in the PRES.
- H. The V-SLC acknowledges that it is ready to initiate a SUPL positioning procedure with an RLP SSRLIA back to the H-SLC.
- I. The H-SLC initiates the location session with the SET using the SUPL INIT message. The SUPL INIT message contains at least session-id, proxy/non-proxy mode indicator and the intended positioning method. In this case the result of the privacy check in Step D indicated that notification or verification to the target subscriber is needed and the H-SLC therefore includes the Notification element in the SUPL INIT message. Before the SUPL INIT message is sent the H-SLC also computes and stores a hash of the message. If in step C the H-SLC decided to use a previously computed position the SUPL INIT message SHALL indicate this in a 'no position' posmethod parameter value.
- J. The SET analyses the received SUPL INIT. If it is found to be non authentic, the SET takes no further action. Otherwise the SET takes needed action preparing for establishment or resumption of a secure connection.
- K. The SET evaluates the notification rules and alerts the subscriber of the position request. In this case the user rejects the location request, either by explicit action or implicitly by not responding to the notification, and the SET returns a SUPL END message to the H-SLC containing the session-id, a hash of the received SUPL INIT message (ver) and the status code *consentDeniedByUser*
- L. The H-SLC SHALL check that the hash of SUPL INIT matches the one it has computed for this particular session. The H-SLC then tunnels the SUPL END message to the V-SLC using RLP.
- M. The V-SLC sends a PEND message to the V-SPC to terminate the SUPL session.
- N. The H-SLC sends an RLP SRLIA message to the R-SLC indicating the error condition user rejected location request. The H-SLC SHALL release all resources related to this session.
- O. The H-SLC sends the position response, containing the ms-id, client-id, and the appropriate error-code back to the SUPL Agent using an MLP SLIA message.

### 5.3.3 SET Does Not Allow Positioning for Roaming with H-SLP

This scenario is identical to the non-roaming scenario (see section 5.3.1)

### 5.3.4 SUPL Protocol Error

When a SUPL protocol error occurs and as a result the SUPL session is terminated, a PEND message is used by the SLC or SPC to notify its counterpart (i.e. SPC or SLC) about the end of the SUPL session.

### 5.3.5 Timer expiration

Timer expirations are defined in Appendix C.

## 5.4 SET Initiated – Proxy mode

This section describes the SET Initiated Proxy mode scenarios.

### 5.4.1 Non-Roaming Successful Case

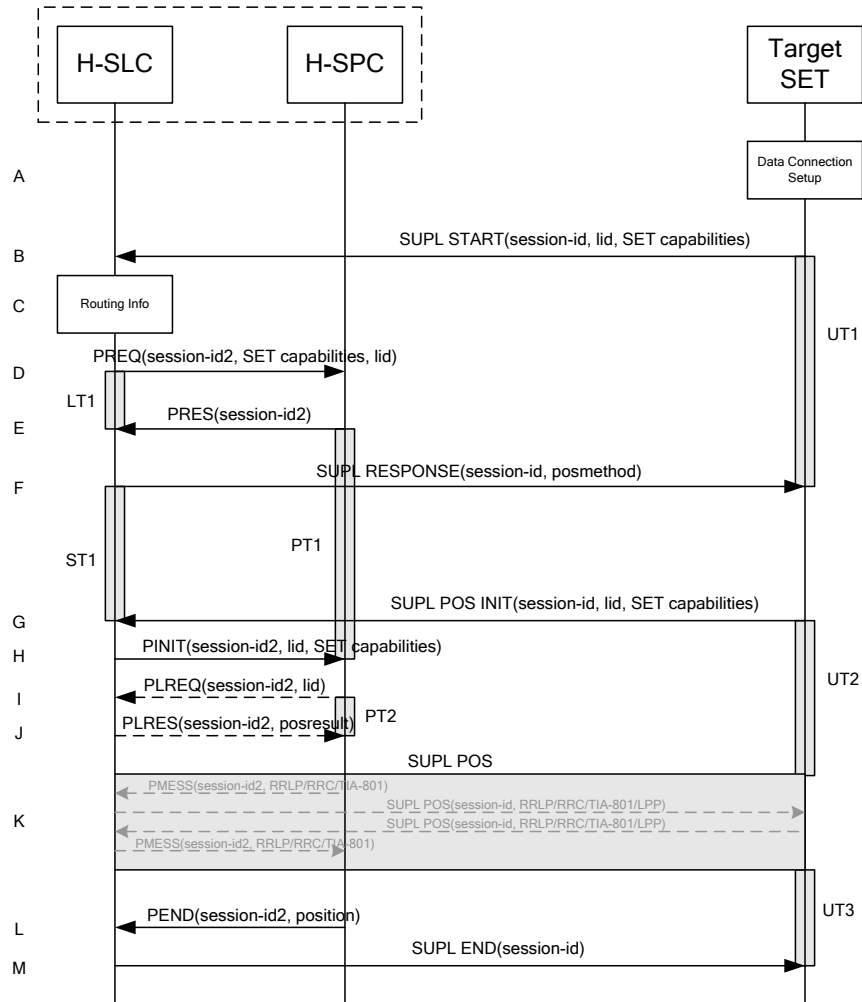


Figure 15: SET-Initiated Non-Roaming Successful Case - Proxy mode

NOTE 1: See Appendix C for timer descriptions.

- A. The SUPL Agent on the SET receives a request for position from an application running on the SET. The SET takes appropriate action establishing or resuming a secure connection.
- B. The SUPL Agent on the SET uses the default address provisioned by the Home Network to establish a secure connection to the H-SLC and sends a SUPL START message to start a positioning session with the H-SLP. The SUPL START message contains session-id, SET capabilities and Location ID (lid). The SET capabilities include the supported positioning methods (e.g., SET-Assisted A-GPS, SET-Based A-GPS) and associated positioning protocols (e.g., RRLP, RRC, TIA-801 or LPP/LPPE). If a previously computed position which meets any requested QoP is available at the H-SLC the H-SLC SHALL directly proceed to step M and send the position to the SET in the SUPL END message (step N is not executed in this case)..
- C. The H-SLC verifies that the target SET is currently not SUPL Roaming.

NOTE 2: The specifics for determining if the SET is SUPL Roaming or not is considered outside scope of SUPL. However, there are various environment dependent mechanisms.

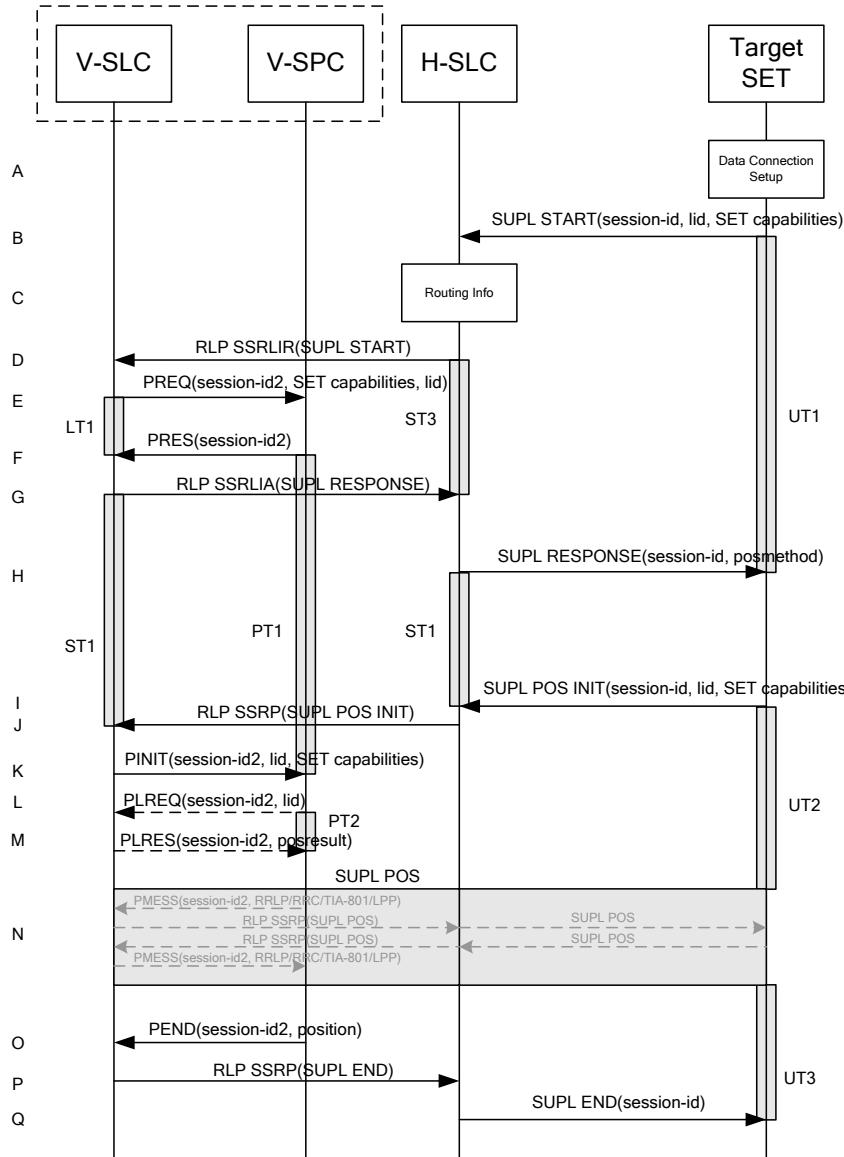
- D. The H-SLC inspects the SUPL START message and determines if the SET is allowed to directly access the H-SPC. The H-SLC requests service from the H-SPC for a SUPL session by sending a PREQ message containing the session-id2, lid, posmethod and optionally the QoP. The H-SLC MAY include its approved positioning methods for this session. If the approved positioning methods are not included, the H-SPC SHALL assume that all its available positioning methods have been approved.
- E. The H-SPC accepts the service request for a SUPL session from the H-SLC with a PRES message containing the session-id2. The H-SPC MAY include a preferred positioning method in the PRES. The H-SPC MAY include its supported positioning methods in the PRES. It MAY also contain a position based on information received in the PREQ message. This position does not need to meet the QoP.
- F. Consistent with the SUPL START message including posmethod(s) supported by the SET, the H-SLC MAY determine the posmethod. If the H-SPC included a list of supported posmethods in step E, the chosen posmethod SHALL be on this list. If required for the posmethod, the H-SLC SHALL use the supported positioning protocol (e.g., RRLP, RRC, TIA-801 or LPP/LPPe) from the SUPL START message. The H-SLC SHALL respond with the SUPL RESPONSE to the SET. The SUPL RESPONSE contains the session-id but no H-SLC address, to indicate to the SET that a new connection SHALL NOT be established. The SUPL RESPONSE also contains the posmethod. The SUPL RESPONSE MAY contain location information, not meeting the QoP, but giving an initial approximation of the position. If a coarse position computed based on information received in the SUPL START message meets the requested QoP, the H-SLC MAY directly proceed to step M and terminate the session with the H-SPC using a PEND message.
- G. After the SET receives the SUPL RESPONSE from the H-SLC, the SET sends a SUPL POS INIT message. The SUPL POS INIT message contains at least session-id, SET capabilities and Location ID (lid). The SET capabilities include the supported positioning methods (e.g., SET-Assisted A-GPS, SET-Based A-GPS) and associated positioning protocols (e.g., RRLP, RRC, TIA-801 or LPP/LPPe). The SET MAY optionally provide NMR specific for the radio technology being used (e.g., for GSM: TA, RXLEV). The SET MAY provide its position, if this is supported. The SET MAY include the first SUPL POS element in the SUPL POS INIT message. The SET MAY set the Requested Assistance Data element in the SUPL POS INIT.
- H. The H-SLC sends a PINIT message to the H-SPC including session-id2, location id and SET capabilities. The H-SLC MAY include a posmethod in the PINIT. This posmethod may either be the posmethod recommended by the H-SPC in step E, or a different posmethod of the H-SLC's choosing, as long as it is one supported by the H-SPC. Based on the PINIT message including posmethod(s) supported by the SET (as part of the SET capabilities) the SET capabilities, the H-SPC SHALL then determine the posmethod. If a posmethod has been included in the PINIT by the H-SLC, the H-SPC SHALL use that posmethod, unless it does not meet the SET capabilities. If no posmethod parameter was included in the PINIT, the H-SPC shall choose any posmethod in line with that meets the SET capabilities and which was approved by the H-SLC in step D. If a coarse position calculated based on information received in the PINIT message is available that meets any required QoP, the H-SPC MAY directly proceed to step L and not engage in a SUPL POS session.
- I. If the H-SPC cannot translate the lid received in step H into a coarse position, the H-SPC sends a PLREQ message to the H-SLC. The PLREQ message contains the session-id2 and the lid. This step is optional and not required if the H-SPC can perform the translation from lid into a coarse position itself.
- J. This step is conditional and only occurs if step I was performed. The H-SLC reports the coarse position result back to the H-SPC in a PLRES message. PLRES contains the session-id2 and the posresult. If the coarse position meets the required QoP, the H-SPC MAY directly proceed to step L and not engage in a SUPL POS session.

- K. The SET and the H-SPC exchange several successive positioning procedure messages. Thereby the positioning procedure payload (RRLP/RRC/TIA-801/LPP/LPPe) is transferred between the H-SPC and the H-SLC using PMESS messages. PMESS includes the session-id2 and the positioning procedure payload (RRLP/RRC/TIA-801/LPP/LPPe). The positioning procedure payload (RRLP/RRC/TIA-801/LPP/LPPe) is transferred between the H-SLC and the SET using SUPL POS messages (the PMESS – SUPL POS – SUPL POS – PMESS message exchange is conceptually shown in dotted lines).  
The H-SPC calculates the position estimate based on the received positioning measurements (SET-Assisted) or the SET calculates the position estimate based on assistance obtained from the H-SPC (SET-Based).
- L. Once the position calculation is complete the H-SPC sends a PEND message to the H-SLC.
- M. The H-SLC sends the SUPL END message to the SET informing it that no further positioning procedure will be started and that the location session is finished. Depending on positioning method and used positioning protocol the H-SLP MAY add the determined position to the SUPL END message. The SET SHALL release the secure connection to the H-SLC and release all resources related to this session.

## 5.4.2 Roaming with V-SLP Positioning Successful Case

SET Roaming where the V-SLP is involved in the positioning calculation.

A policy of a single SET to H-SLP SUPL session is maintained by encapsulating the messages between the SET and V-SLP through the use of the RLP protocol.



**Figure 16: SET-Initiated Roaming Successful Case – Proxy mode with V-SLP positioning**

NOTE 1: See Appendix C for timer descriptions.

- A. The SUPL Agent on the SET receives a request for position from an application running on the SET. The SET takes appropriate action establishing or resuming a secure connection.
- B. The SUPL Agent on the SET uses the default address provisioned by the Home Network to establish a secure connection to the H-SLC and sends a SUPL START message to start a positioning session with the H-SLC. The SUPL START message contains session-id, SET capabilities and Location ID (lid). The SET capabilities include the supported positioning methods (e.g., SET-Assisted A-GPS, SET-Based A-GPS) and associated positioning protocols (e.g., RRLP, RRC, TIA-801 or LPP/LPPe). If a previously computed position which meets any requested QoP is available at the H-SLC the H-SLC SHALL directly proceed to step Q and send the position to the SET in the SUPL END message (step Q of this flow will then not be executed).
- C. The H-SLC verifies that the target SET is currently SUPL Roaming.

NOTE 2: The specifics for determining if the SET is SUPL Roaming or not is considered outside scope of SUPL. However, there are various environment dependent mechanisms.



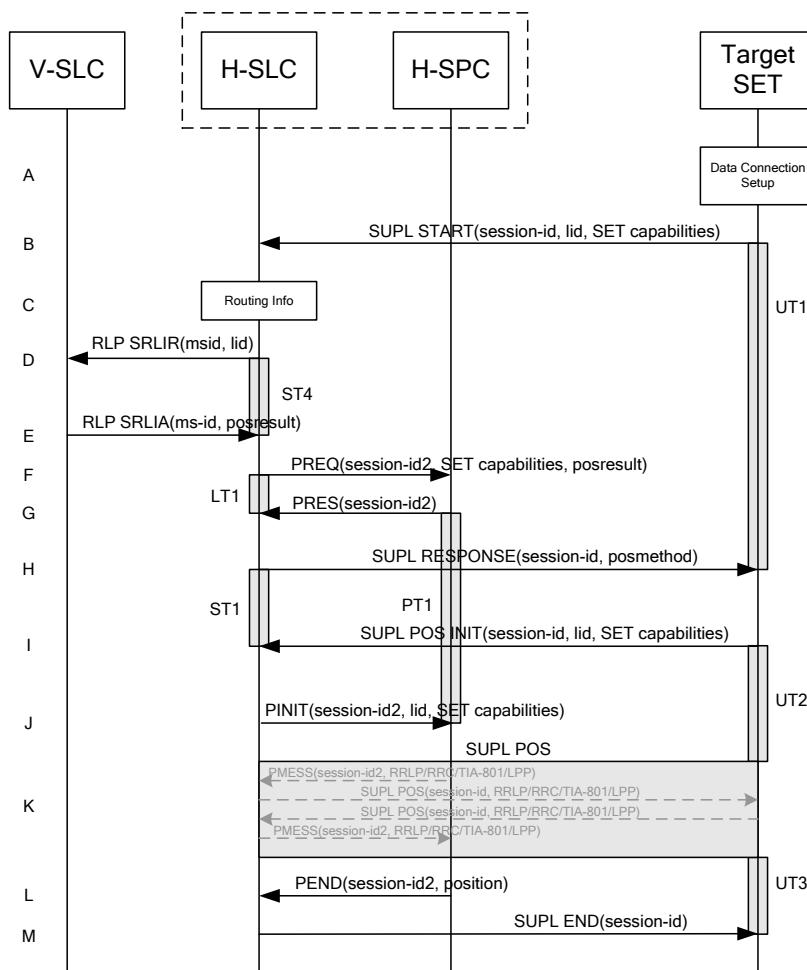
- D. The H-SLC decides that the assistance data/position calculation is done by the V-SLP and sends a RLP SSRLIR tunnelling the SUPL START message to the V-SLC.
- E. The V-SLC requests service from the V-SPC for a SUPL session by sending a PREQ message containing the session-id2, lid, the SET capabilities and optionally the QoP. The V-SLC MAY include its approved positioning methods for this session. If the approved positioning methods are not included, the V-SPC SHALL assume that all its available positioning methods have been approved.
- F. The V-SPC accepts the service request for a SUPL session from the V-SLC with a PRES message containing the session-id2. The V-SPC MAY include a preferred positioning method in the PRES. The V-SPC MAY include its supported positioning methods in the PRES. It MAY also contain a position based on information received in the PREQ message. This position does not need to meet the QoP.
- G. Consistent with the SUPL START message including posmethod(s) supported by the SET, the V-SLC MAY determine the posmethod. If the V-SPC included a list of supported posmethods in step F, the chosen posmethod SHALL be on this list. If required for the posmethod, the V-SLC SHALL use the supported positioning protocol (e.g., RRLP, RRC, TIA-801 or LPP/LPPe) from the SUPL START message. The V-SLC responds with a SUPL RESPONSE tunnelled over RLP back to the H-SLC that it is capable of supporting this request. The SUPL RESPONSE contains at least the sessionid and posmethod. The SUPL RESPONSE MAY contain location information, not meeting the QoP, but giving an initial approximation of the position. If a coarse position calculated based on information received in the RLP SSRLIR (SUPL START) message meets any requested QoP, the V-SLC SHALL send a RLP SSRLIA (SUPL END) message - as opposed to RLP SSRLIA (SUPL RESPONSE) - including the position estimate to the H-SLC in which case the H-SLC SHALL then proceed to step Q and terminate the session with the H-SPC using a PEND message (step R of this flow will then not be executed).
- H. The H-SLC forwards the SUPL RESPONSE to the SET. The SUPL RESPONSE contains the session-id but no H-SLC address, to indicate to the SET that a new connection SHALL NOT be established. The SUPL RESPONSE also contains the posmethod. The SUPL RESPONSE MAY contain location information, not meeting the QoP, but giving an initial approximation of the position.
- I. After the SET receives the SUPL RESPONSE from the H-SLC, the SET sends a SUPL POS INIT message. The SUPL POS INIT message contains at least session-id, SET capabilities and Location ID (lid). The SET capabilities include the supported positioning methods (e.g., SET-Assisted A-GPS, SET-Based A-GPS) and associated positioning protocols (e.g., RRLP, RRC, TIA-801 or LPP/LPPe). The SET MAY provide NMR specific for the radio technology being used (e.g., for GSM: TA, RXLEV). The SET MAY provide its position, if this is supported. The SET MAY include the first SUPL POS element in the SUPL POS INIT message. The SET MAY set the Requested Assistance Data element in the SUPL POS INIT.
- J. The H-SLC forwards the SUPL POS INIT to the V-SLC over the RLP tunnel.
- K. The V-SLC sends a PINIT message to the V-SPC including session-id2, location id and SET capabilities. The V-SLC MAY include a posmethod in the PINIT. This posmethod may either be the posmethod recommended by the V-SPC in step F, or a different posmethod of the V-SLC's choosing, as long as it is one supported by the V-SPC. Based on the PINIT message including the SET capabilities, the V-SPC SHALL then determine the posmethod. If a posmethod has been included in the PINIT by the V-SLC, the V-SPC SHALL use that posmethod, unless it does not meet the SET capabilities. If no posmethod parameter was included in the PINIT, the V-SPC shall choose any posmethod in line with the SET capabilities which was approved by the V-SLC in step E. If a coarse position calculated based on information received in PINIT message is available that meets the required QoP, the V-SPC MAY directly proceed to step O and not engage in a SUPL POS session.
- L. If the V-SPC cannot translate the lid received in step K into a coarse position, the V-SPC sends a PLREQ message to the V-SLC. The PLREQ message contains the session-id2 and the lid. This step

is optional and not required if the V-SPC can perform the translation from lid into a coarse position itself.

- M. This step is conditional and only occurs if step L was performed. The V-SLC reports the coarse position result back to the V-SPC in a PLRES message. PLRES contains the session-id2 and the posresult. If the coarse position meets the required QoP, the V-SPC MAY directly proceed to step K and not engage in a SUPL POS session.
- N. The SET and the V-SPC exchange several successive positioning procedure messages. Thereby the positioning procedure payload (RRLP/RRC/TIA-801/LPP/LPPE) is transferred between the V-SPC and the V-SLC using PMESS messages. PMESS includes the session-id2 and the positioning procedure payload (RRLP/RRC/TIA-801/LPP/LPPE). The positioning procedure payload (RRLP/RRC/TIA-801/LPP/LPPE) is transferred between the V-SLC and the H-SLC using SUPL POS over RLP tunnel messages. The positioning procedure payload (RRLP/RRC/TIA-801/LPP/LPPE) is transferred between the H-SLC and the SET using SUPL POS messages. The flow sequence PMESS – RLP SSRP(SUPL POS) – SUPL POS – SUPL POS – RLP SSRP(SUPL POS) – PMESS is conceptually shown in dotted lines.  
The V-SPC calculates the position estimate based on the received positioning measurements (SET-Assisted) or the SET calculates the position estimate based on assistance obtained from the V-SPC via H-SLC (SET-Based).
- O. Once the position calculation is complete the V-SPC sends a PEND message to the V-SLC.
- P. The V-SLC then sends a SUPL END message to the SET, which is tunnelled over RLP via the H-SLC. The V-SLC MAY add the determined position to the SUPL END message. The V-SLP SHALL release all resources related to this session.
- Q. The H-SLC forwards the SUPL END to the SET informing it that no further positioning procedure will be started and that the location session is finished. The SET SHALL release the secure connection and release all resources related to this session. The H-SLC SHALL release all resources related to this session.

### 5.4.3 Roaming with H-SLP Positioning Successful Case

SET Roaming where the H-SLP is involved in the positioning calculation.



**Figure 17: SET-Initiated Roaming Successful Case – Proxy mode with H-SLP positioning**

NOTE 1: See Appendix C for timer descriptions.

- A. The SUPL Agent on the SET receives a request for position from an application running on the SET. The SET takes appropriate action establishing or resuming a secure connection.
- B. The SUPL Agent on the SET uses the default address provisioned by the Home Network to establish a secure connection to the H-SLC and sends a SUPL START message to start a positioning session with the H-SLC. The SUPL START message contains session-id, SET capabilities and Location ID (lid). The SET capabilities include the supported positioning methods (e.g., SET-Assisted A-GPS, SET-Based A-GPS) and associated positioning protocols (e.g., RRLP, RRC, TIA-801 or LPP/LPPE). If a previously computed position which meets any requested QoP is available at the H-SLC the H-SLC SHALL directly proceed to step M and send a SUPL END message including the position to the SET and end the session (step N of this flow will then not be executed).
- C. The H-SLC verifies that the target SET is currently SUPL Roaming.

NOTE 2: The specifics for determining if the SET is SUPL Roaming or not is considered outside scope of SUPL. However, there are various environment dependent mechanisms.

- D. The H-SLC decides that the H-SLP will provide assistance/position calculation and the H-SLC sends a plain RLP SRLIR request to the V-SLC to determine a coarse position for further exchange of SUPL POS messages between SET and H-SLP. The RLP request contains at least the msid and the Location ID (lid).

- E. The V-SLC returns a RLP SRLIA message. The RLP SRLIA message contains at least the position result (e.g., coarse position for A-GPS positioning). If the computed position meets the requested QoP, the H-SLC MAY directly proceed directly to step M.
- F. The H-SLC inspects the SUPL START message and determines if the SET is allowed to directly access the H-SPC. The H-SLC requests service from the H-SPC for a SUPL session by sending a PREQ message containing the session-id2, coarse position estimate, SET capabilities and optionally the QoP. The H-SLC MAY include its approved positioning methods for this session. If the approved positioning methods are not included, the H-SPC SHALL assume that all its available positioning methods have been approved.
- G. The H-SPC accepts the service request for a SUPL session from the H-SLC with a PRES message containing the session-id2. The H-SPC MAY include a preferred positioning method in the PRES. The H-SPC MAY include its supported positioning methods in the PRES. It MAY also contain a position based on information received in the PREQ message. This position does not need to meet the QoP.
- H. Consistent with the SUPL START message including posmethod(s) supported by the SET, the H-SLC MAY determine the posmethod. If the H-SPC included a list of supported posmethods in step G, the chosen posmethod SHALL be on this list. If required for the posmethod, the H-SLC SHALL use the supported positioning protocol (e.g., RRLP, RRC, TIA-801 or LPP/LPPe) from the SUPL START message.  
The H-SLC responds with the SUPL RESPONSE to the SET. The SUPL RESPONSE contains the session-id but no H-SPC address, to indicate to the SET that a new connection SHALL NOT be established. The SUPL RESPONSE also contains the posmethod. The SUPL RESPONSE MAY contain location information, not meeting the QoP, but giving an initial approximation of the position. If a coarse position computed based on information received in the SUPL START message meets the requested QoP, the H-SLC MAY directly proceed to step M and terminate the session with the H-SPC using a PEND message.
- I. After the SET receives the SUPL RESPONSE from H-SLC, the SET sends a SUPL POS INIT message. The SUPL POS INIT message contains at least session-id, SET capabilities and Location ID (lid). The SET capabilities include the supported positioning methods (e.g., SET-Assisted A-GPS, SET-Based A-GPS) and associated positioning protocols (e.g., RRLP, RRC, TIA-801 or LPP/LPPe). The SET MAY provide NMR specific for the radio technology being used (e.g., for GSM: TA, RXLEV). The SET MAY provide its position, if this is supported. The SET MAY include the first SUPL POS element in the SUPL POS INIT message. The SET MAY set the Requested Assistance Data element in the SUPL POS INIT.
- J. The H-SLC sends a PINIT message to the H-SPC including session-id2, location id and SET capabilities. If a position computed based on information received in the PINIT message is available which meets any required QoP, the H-SPC MAY directly proceed to L and not engage in a SUPL POS session. The H-SLC MAY include a posmethod in the PINIT. This posmethod may either be the posmethod recommended by the H-SPC in step G, or a different posmethod of the H-SLC's choosing, as long as it is one supported by the H-SPC. Based on the PINIT message including the SET capabilities, the H-SPC SHALL then determine the posmethod. If a posmethod has been included in the PINIT by the H-SLC, the H-SPC SHALL use that posmethod, unless it does not meet the SET capabilities. If no posmethod parameter was included in the PINIT, the H-SPC shall choose any posmethod in line with the SET capabilities which was approved by the H-SLC in step F.
- K. The SET and the H-SCP exchange several successive positioning procedure messages. Thereby the positioning procedure payload (RRLP/RRC/TIA-801/LPP/LPPe) is transferred between the H-SPC and the H-SLC using PMESS messages. PMESS includes the session-id2 and the positioning procedure payload (RRLP/RRC/TIA-801/LPP/LPPe). The positioning procedure payload (RRLP/RRC/TIA-801/LPP/LPPe) is transferred between the H-SLC and the SET using SUPL POS messages (the PMESS – SUPL POS – SUPL POS – PMESS message exchange is conceptually shown in dotted lines).  
The H-SPC calculates the position estimate based on the received positioning measurements (SET-Assisted) or the SET calculates the position estimate based on assistance obtained from the H-SPC (SET-Based).

- L. Once the position calculation is complete the H-SPC sends a PENDING message to the H-SLC.
- M. The H-SLC sends a SUPL END message to the SET informing it that no further positioning procedure will be started and that the location session is finished. Depending on positioning method and used positioning protocol the H-SLP MAY add the determined position to the SUPL END message. The SET SHALL release the secure connection to the H-SLC and release all resources related to this session

#### **5.4.4 SET-Initiated Location Request of another SET**

This scenario does not involve ILP.

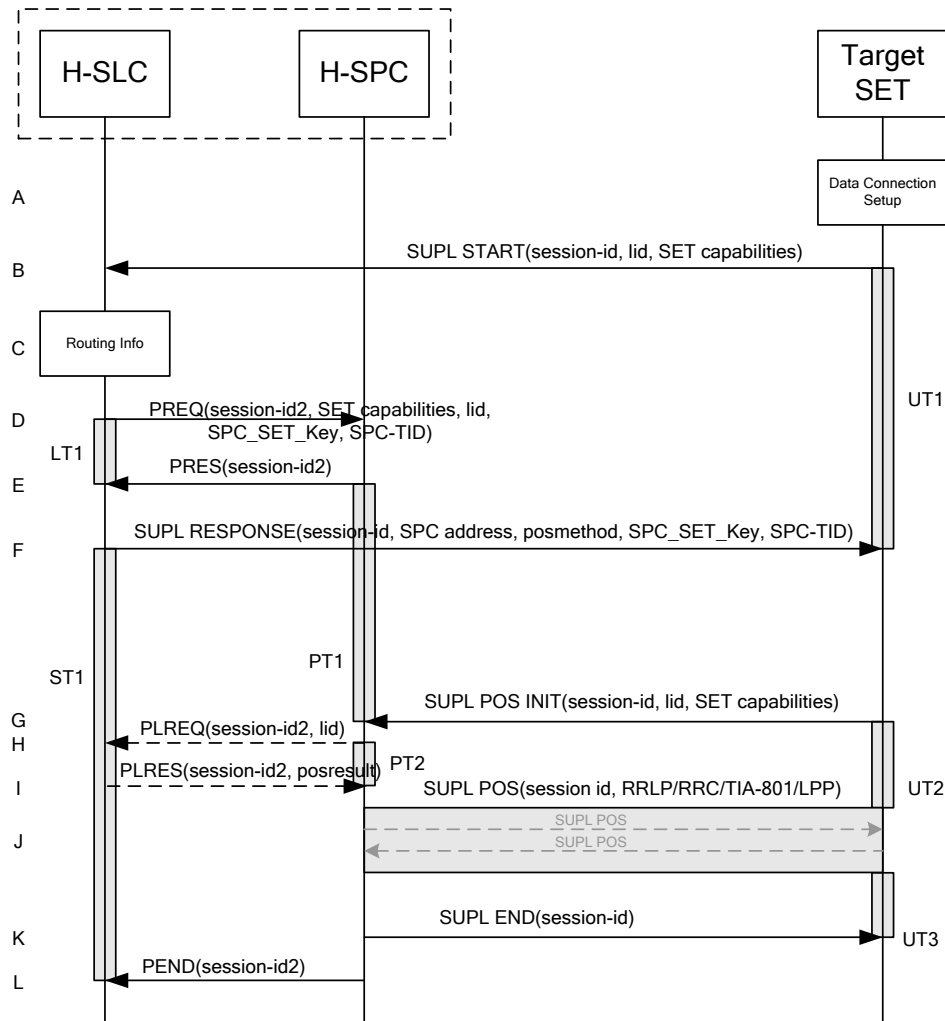
#### **5.4.5 Location Request of Transfer Location to Third Party**

All scenarios to do with transfer of location to a third party are identical to the equivalent scenarios without transfer of location as far as ILP is concerned.

### **5.5 SET Initiated – Non-Proxy mode**

This section describes the SET Initiated Non-Proxy mode scenarios.

### 5.5.1 Non-Roaming Successful Case



**Figure 18: SET-Initiated Non-Roaming Successful Case – Non-Proxy mode**

NOTE 1: See Appendix C for timer descriptions.

- A. The SUPL Agent on the SET receives a request for position from an application running on the SET. The SET takes appropriate action establishing or resuming a secure connection.
- B. The SUPL Agent on the SET uses the address provisioned by the Home Network to establish a secure connection to the H-SLC and sends a SUPL START message to start a positioning session with the H-SLC. The SUPL START message contains session-id, SET capabilities and Location ID (lid). The SET capabilities include the supported positioning methods (e.g., SET-Assisted A-GPS, SET-Based A-GPS) and associated positioning protocols (e.g., RRLP, RRC, TIA-801 or LPP/LPPE). If a previously computed position which meets any requested QoP is available at the H-SLC the H-SLC shall respond with a SUPL END message to the SET containing the position and end the SUPL session.
- C. The H-SLC verifies that the target SET is currently not SUPL Roaming.

NOTE 2: The specifics for determining if the SET is SUPL Roaming or not is considered outside scope of SUPL. However, there are various environment dependent mechanisms.

- D. The H-SLC will inspect the SUPL START message and determine if the SET is allowed to directly access the H-SPC. The H-SLC requests service from the H-SPC for a SUPL session by sending a PREQ message containing the session-id2, lid, SET capabilities and optionally the QoP. The H-SLC creates SPC\_SET\_Key and SPC-TID to be used for mutual H-SPC/SET authentication and forwards them to the H-SPC in the PREQ message. The H-SLC MAY include its approved positioning methods for this session in the PREQ. If the approved positioning methods are not included, the H-SPC SHALL assume that all its available positioning methods have been approved.
- E. The H-SPC accepts the service request for a SUPL session from the H-SLC with a PRES message containing the session-id2. The H-SPC MAY include a preferred positioning method in the PRES. The H-SPC MAY include its supported positioning methods in the PRES. It MAY also contain a position based on information received in the PREQ message. This position does not need to meet the QoP.
- F. Consistent with the SUPL START message including posmethod(s) supported by the SET, the H-SLC MAY determine the posmethod. If the H-SPC included a list of supported posmethods in step E, the chosen posmethod SHALL be on this list. If required for the posmethod, the H-SLC SHALL use the supported positioning protocol (e.g., RRLP, RRC, TIA-801 or LPP/LPPE) from the SUPL START message.  
The H-SLC SHALL respond with a SUPL RESPONSE to the SET. The SUPL RESPONSE contains the session-id, SPC\_SET\_Key and SPC-TID to be used by the SET for mutual H-SPC/SET authentication, and the address of the H-SPC to indicate to the SET that a new secure connection SHALL be established. The SUPL RESPONSE MAY contain location information, not meeting the QoP, but giving an initial approximation of the position.  
If a coarse position computed based on information received in the SUPL START message meets any requested QoP, the H-SLC MAY respond with a SUPL END message (instead of the SUPL RESPONSE) to the SET containing the position to end the SUPL session and terminate the session with the H-SPC using a PEND message.
- G. To initiate the actual positioning session the SET opens a new secure connection to the H-SPC using the address indicated in step F. The SET and H-SPC perform mutual authentication through the keys received in step D and step F, and the SET sends a SUPL POS INIT message. Before the new secure connection is established the existing secure connection to the H-SLC is closed. The SUPL POS INIT message contains at least session-id, SET capabilities and Location ID (lid). The SET capabilities include the supported positioning methods (e.g., SET-Assisted A-GPS, SET-Based A-GPS) and associated positioning protocols (e.g., RRLP, RRC, TIA-801 or LPP/LPPE). The SET MAY provide NMR specific for the radio technology being used (e.g., for GSM: TA, RXLEV). The SET MAY provide its position, if this is supported. The SET MAY include the first SUPL POS element in the SUPL POS INIT message. The SET MAY set the Requested Assistance Data element in the SUPL POS INIT. If a coarse position calculated based on information received in the SUPL POS INIT message is available that meets any required QoP, the H-SPC MAY directly proceed to step K and not engage in a SUPL POS session.
- H. If the H-SPC cannot translate the lid received in step G into a coarse position, the H-SPC sends a PLREQ message to the H-SLC. The PLREQ message contains the session-id2 and the lid. This step is optional and not required if the H-SPC can perform the translation from lid into a coarse position itself.
- I. This step is conditional and only occurs if step H was performed. The H-SLC reports the coarse position result back to the H-SPC in a PLRES message. PLRES contains the session-id2 and the posresult. If the coarse position meets the required QoP, the H-SPC MAY directly proceed to step K and not engage in a SUPL POS session.
- J. Based on the SUPL POS INIT message including posmethod(s) supported by the SET the H-SPC SHALL determine the posmethod. If the H-SLC included its approved positioning methods in step D, the H-SPC SHALL only choose an approved method. The SET and the SPC exchange several successive positioning procedure messages (a SUPL POS message exchange is shown conceptually in dotted lines).  
The H-SPC calculates the position estimate based on the received positioning measurements (SET-

Assisted) or the SET calculates the position estimate based on assistance obtained from the H-SPC (SET-Based).

- K. Once the position calculation is complete the H-SPC SHALL send the SUPL END message to the SET informing it that no further positioning procedure will be started and that the location session is finished. Depending on positioning method and used positioning protocol the SPC MAY add the determined position to the SUPL END message. When the SUPL END is received the SET SHALL release the secure connection to the H-SPC and release all resources related to this session. The H-SPC informs the H-SLC that the positioning procedure is finished. The H-SPC SHALL release all resources related to this session.
- L. The H-SPC sends a PEND message to the H-SLC indicating that all resources related to this session are to be released.

### 5.5.2 Roaming with V-SPC Positioning Successful Case

SET Roaming where the V-SPC is involved in the positioning calculation.

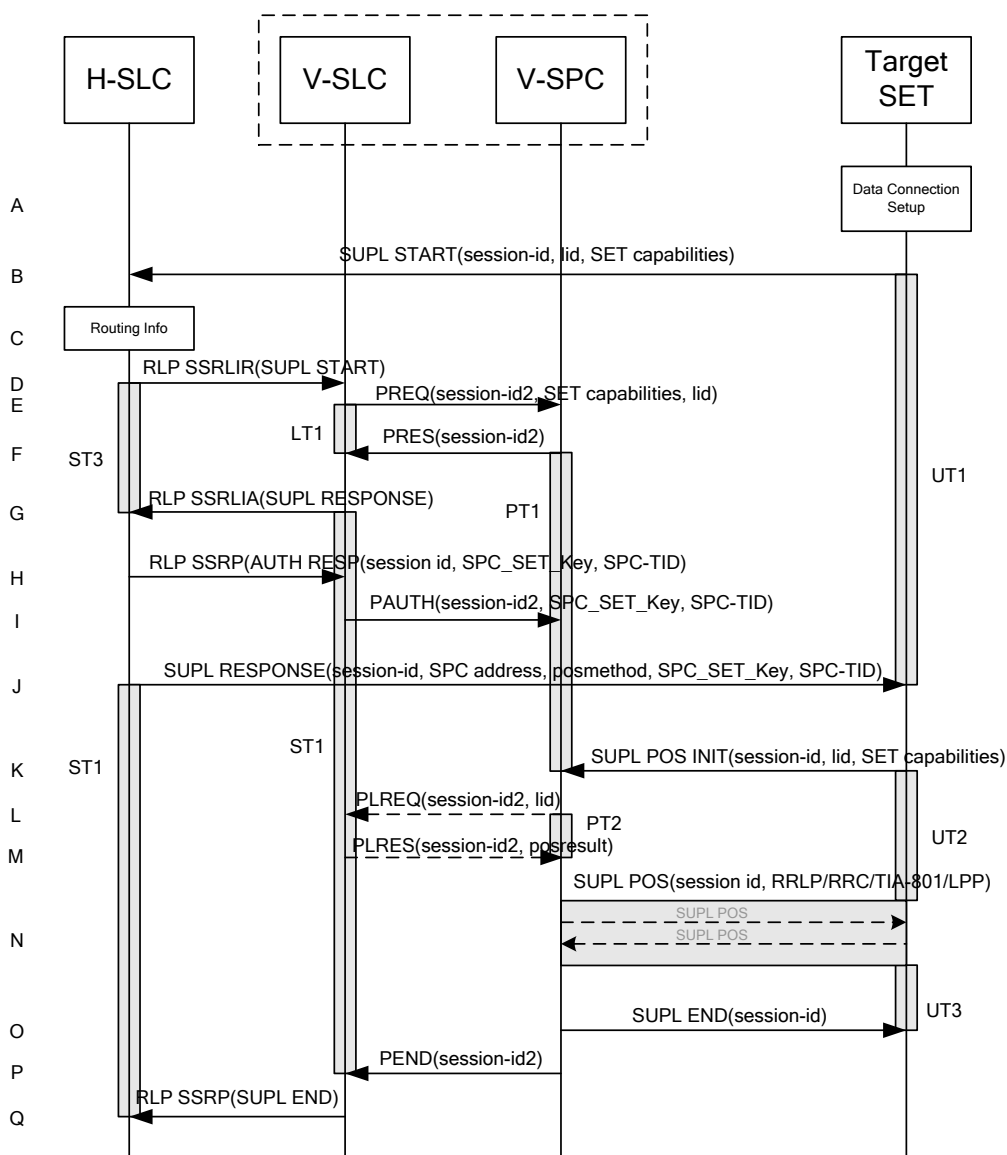


Figure 19: SET-Initiated Roaming Successful Case – Non-Proxy mode with V-SPC positioning

NOTE 1: See Appendix C for timer descriptions.



- A. The SUPL Agent on the SET receives a request for position from an application running on the SET. The SET takes appropriate action establishing or resuming a secure connection.
- B. The SUPL Agent on the SET uses the address provisioned by the Home Network to establish a secure connection to the H-SLC and sends a SUPL START message to start a positioning session with the H-SLC. The SUPL START message contains session-id, SET capabilities and Location ID (lid). The SET capabilities include the supported positioning methods (e.g., SET-Assisted A-GPS, SET-Based A-GPS) and associated positioning protocols (e.g., RRLP, RRC, TIA-801 or LPP/LPPe). If a previously computed position which meets any requested QoP is available at the H-SLC the H-SLC SHALL send a SUPL END message including the position to the SET and end the session.
- C. The H-SLP verifies that the target SET is currently SUPL Roaming.

NOTE 2: The specifics for determining if the SET is SUPL Roaming or not is considered outside scope of SUPL. However, there are various environment dependent mechanisms.

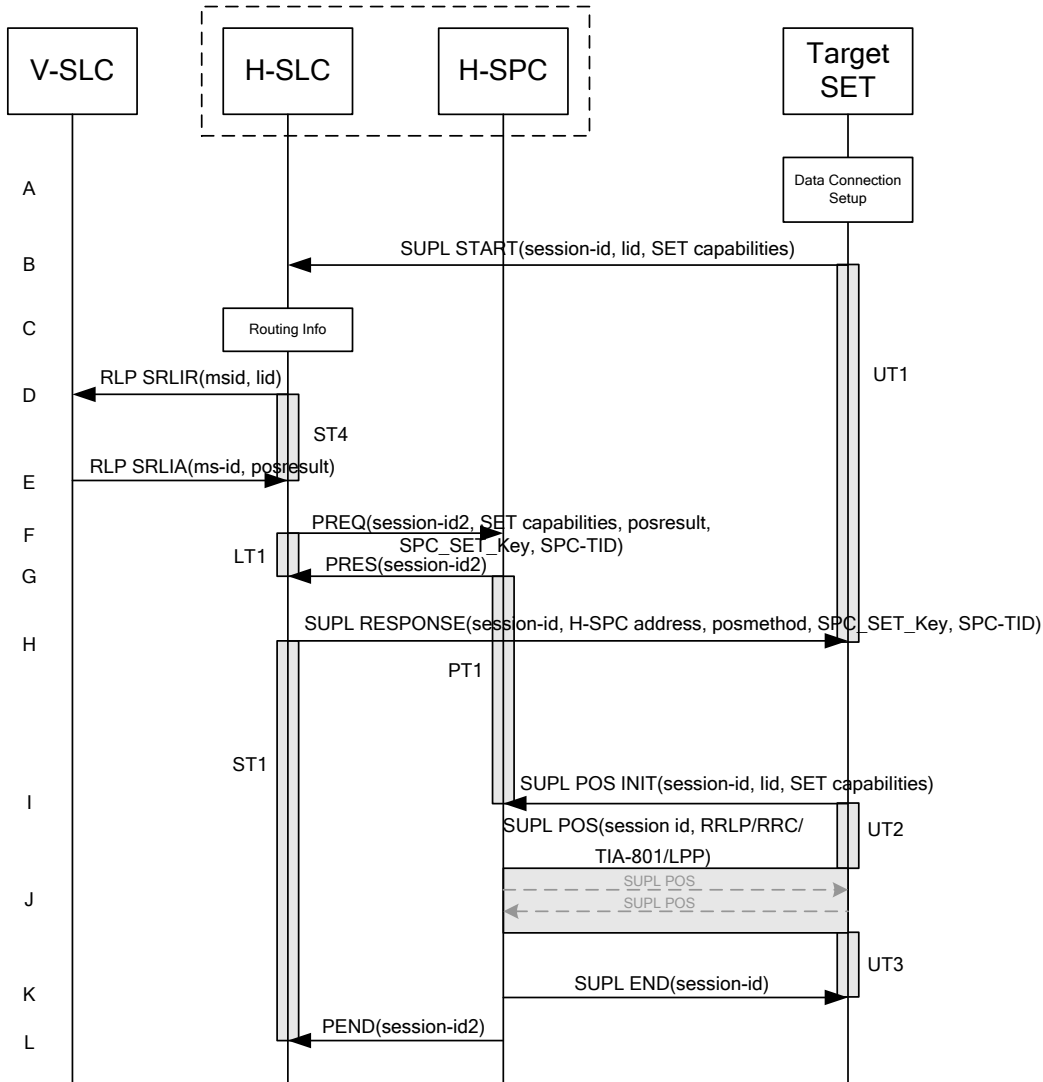
- D. The H-SLC decides that the assistance data/position calculation is done by the V-SPC, allocates a sessionid and sends an RLP SSRILIR tunnelling the SUPL START message to the V-SLC.
- E. The V-SLC requests service from the V-SPC for a SUPL session by sending a PREQ message containing the session-id2, lid, SET capabilities and optionally the QoP. The V-SLC MAY include its approved positioning methods for this session in the PREQ. If the approved positioning methods are not included, the V-SPC SHALL assume that all its available positioning methods have been approved.
- F. The V-SPC accepts the service request for a SUPL session from the V-SLC with a PRES message containing the session-id2. The V-SPC MAY include a preferred positioning method in the PRES. The V-SPC MAY include its supported positioning methods in the PRES. It MAY also contain a position based on information received in the PREQ message. This position does not need to meet the QoP.
- G. Consistent with the SUPL START message including posmethod(s) supported by the SET, the V-SLC MAY determine the posmethod. If the V-SPC included a list of supported posmethods in step F, the chosen posmethod SHALL be on this list. If required for the posmethod, the V-SLC SHALL use the supported positioning protocol (e.g., RRLP, RRC, TIA-801 or LPP/LPPe) from the SUPL START message.  
The V-SLC responds with a SUPL RESPONSE tunnelled over RLP back to the H-SLC that it is capable of supporting this request. The SUPL RESPONSE contains at least the sessionid, and the V-SPC address. The SUPL RESPONSE also contains the posmethod. The SUPL RESPONSE MAY contain location information, not meeting the QoP, but giving an initial approximation of the position. If a coarse position calculated based on information received in the RLP SSRILIR (SUPL START) message meets any requested QoP, the V-SLC MAY send a RLP SSRILIA (SUPL END) message - as opposed to RLP SSRILIA (SUPL RESPONSE) - including the position estimate to the H-SLC in which case the H-SLC sends a SUPL END message carrying the session id and including the position estimate to the SET (as opposed to the SUPL RESPONSE message) to terminates the ULP session and terminates the session with the H-SPC using a PEND message.
- H. The H-SLC creates SPC\_SET\_Key and SPC-TID to be used for mutual V-SPC/SET authentication. The H-SLC forwards SPC\_SET\_Key and SPC-TID to the V-SLC through an RLP SSRP message.
- I. The V-SLC forwards SPC\_SET\_Key and SPC-TID to the V-SPC through a PAUTH message.
- J. The H-SLC forwards the SUPL RESPONSE to the SET. The SUPL RESPONSE contains at least session-id, posmethod, SPC\_SET\_Key and SPC-TID to be used by the SET for mutual V-SPC/SET authentication, and the address of the V-SPC to indicate to the SET that a new secure connection SHALL be established. The SUPL RESPONSE MAY contain location information, not meeting the QoP, but giving an initial approximation of the position.
- K. To initiate the actual positioning session the SET opens a new secure connection to the V-SPC using the address indicated in step J. The SET and V-SPC perform mutual authentication through the keys received in step I and step J and the SET sends a SUPL POS INIT message. Before the new secure

connection is established the existing secure connection to the H-SLC is closed. The SUPL POS INIT message contains at least session-id, SET capabilities and Location ID (lid). The SET capabilities include the supported positioning methods (e.g., SET-Assisted A-GPS, SET-Based A-GPS) and associated positioning protocols (e.g., RRLP, RRC, TIA-801 or LPP/LPPE). The SET MAY provide NMR specific for the radio technology being used (e.g., for GSM: TA, RXLEV). The SET MAY provide its position, if this is supported. The SET MAY include the first SUPL POS element in the SUPL POS INIT message. The SET MAY set the Requested Assistance Data element in the SUPL POS INIT. If a coarse position calculated based on information received in the SUPL POS INIT message is available that meets the required QoP, the V-SPC MAY directly proceed to step O and not engage in a SUPL POS session.

- L. If the V-SPC cannot translate the lid received in step K into a coarse position, the V-SPC sends a PLREQ message to the V-SLC. The PLREQ message contains the session-id2 and the lid. This step is optional and not required if the V-SPC can perform the translation from lid into a coarse position itself.
- M. This step is conditional and only occurs if step L was performed. The V-SLC reports the coarse position result back to the V-SPC in a PLRES message. PLRES contains the session-id2 and the posresult. If the coarse position meets any required QoP, the V-SPC MAY directly proceed to step K and not engage in a SUPL POS session.
- N. Based on the SUPL POS INIT message including posmethod(s) supported by the SET the V-SPC SHALL determine the posmethod. If the V-SLC included its approved positioning methods in step E, the V-SPC SHALL only choose an approved method. The SET and the V-SPC exchange several successive positioning procedure messages (a SUPL POS message exchange is shown conceptually in dotted lines).  
The V-SPC calculates the position estimate based on the received positioning measurements (SET-Assisted) or the SET calculates the position estimate based on assistance obtained from the V-SPC (SET-Based).
- O. Once the position estimate or calculation is complete, the V-SPC sends a SUPL END to the SET and depending on positioning method and positioning protocol optionally includes the position. The SET SHALL release the secure connection and release all resources related to this session.
- P. The V-SPC informs the V-SLC of the end of the SUPL positioning session. The V-SPC SHALL release all resources related to this session.
- Q. The V-SLC sends a RLP SSRP to the H-SLC to inform about the end of the SUPL session. The H-SLC and V-SLC SHALL release all resources related to this session.

### 5.5.3 Roaming with H-SPC Positioning Successful Case

SET Roaming where the H-SPC is involved in the positioning calculation.



**Figure 20: SET-Initiated Roaming Successful Case – Non-Proxy mode with H-SPC positioning**

NOTE 1: See Appendix C for timer descriptions.

- A. The SUPL Agent on the SET receives a request for position from an application running on the SET. The SET takes appropriate action establishing or resuming a secure connection.
- B. The SUPL Agent on the SET uses the address provisioned by the Home Network to establish a secure connection to the H-SLC and sends a SUPL START message to the H-SLC to start a SUPL session with the H-SLC and to request authorization to start a SUPL positioning session with the H-SPC. The SUPL START message contains session-id, SET capabilities and Location ID (lid). The SET capabilities include the supported positioning methods (e.g., SET-Assisted A-GPS, SET-Based A-GPS) and associated positioning protocols (e.g., RRLP, RRC, TIA-801 or LPP/LPPE). If a previously computed position which meets any requested QoP is available at the H-SLC the H-SLC SHALL send a SUPL END message including the position to the SET and end the session.
- C. The H-SLC verifies that the target SET is currently SUPL Roaming.

NOTE 2: The specifics for determining if the SET is SUPL Roaming or not is considered outside scope of SUPL.

- D. The H-SLC decides that the H-SPC will provide assistance/position calculation and the H-SLC sends a plain RLP SRLIR request to the V-SLC to determine a coarse position for further exchange

of SUPL POS messages between SET and H-SPC. The RLP request contains at least the msid and the Location ID (lid).

- E. The V-SLC returns a RLP SRLIA message. The RLP SRLIA message contains at least the position result (e.g., coarse position for A-GPS positioning). If the coarse position received from the V-SLC meets any requested QoP the H-SLC MAY send a SUPL END to the SET carrying the sessionid and the position result and terminate the SUPL session.
- F. The H-SLC will inspect the SUPL START message and determine if the SET is allowed to directly access the H-SPC. The H-SLC requests service from the H-SPC for a SUPL session by sending a PREQ message containing the session-id2, coarse position estimate, SET capabilities and optionally the QoP. The H-SLC MAY include its approved positioning methods for this session in the PREQ. If the approved positioning methods are not included, the H-SPC SHALL assume that all its available positioning methods have been approved. The H-SLC also creates SPC\_SET\_Key and SPC-TID to be used for mutual H-SPC/SET authentication. SPC\_SET\_Key and SPC-TID are forwarded to the H-SPC in the PREQ message.
- G. The H-SPC accepts the service request for a SUPL session from the H-SLC with a PRES message containing the session-id2. The H-SPC MAY include a preferred positioning method in the PRES. The H-SPC MAY include its supported positioning methods in the PRES. It MAY also contain a position based on information received in the PREQ message. This position does not need to meet the QoP.
- H. Consistent with the SUPL START message including posmethod(s) supported by the SET, the H-SLC MAY determine the posmethod. If the H-SPC included a list of supported posmethods in step G, the chosen posmethod SHALL be on this list. If required for the posmethod, the H-SLC SHALL use the supported positioning protocol (e.g., RRLP, RRC, TIA-801 or LPP/LPPE) from the SUPL START message.  
The H-SLC responds with the SUPL RESPONSE to the SET. The SUPL RESPONSE contains the session-id, SPC\_SET\_Key and SPC-TID to be used by the SET for mutual H-SPC/SET authentication, and the H-SPC address. The SUPL RESPONSE also contains the posmethod. The SUPL RESPONSE MAY contain location information, not meeting the QoP, but giving an initial approximation of the position. If a coarse position computed based on information received in the SUPL START message meets any requested QoP, the H-SLC MAY respond with a SUPL END message (instead of the SUPL RESPONSE) to the SET containing the position to end the SUPL session and terminate the session with the H-SPC using a PEND message.
- I. To initiate the actual positioning session the SET opens a new secure connection to the H-SPC using the address indicated in step H. The SET and H-SPC perform mutual authentication through the keys received in step F and step H, and the SET sends a SUPL POS INIT message. Before the new secure connection is established the existing secure connection to the H-SLC is closed. The SUPL POS INIT message contains at least session-id, SET capabilities and Location ID (lid). The SET capabilities include the supported positioning methods (e.g., SET-Assisted A-GPS, SET-Based A-GPS) and associated positioning protocols (e.g., RRLP, RRC, TIA-801 or LPP/LPPE). The SET MAY provide NMR specific for the radio technology being used (e.g., for GSM: TA, RXLEV). The SET MAY provide its position, if this is supported. The SET MAY include the first SUPL POS element in the SUPL POS INIT message. The SET MAY set the Requested Assistance Data element in the SUPL POS INIT. If a position computed based on information received in the PINIT message is available which meets any required QoP, the H-SPC MAY directly proceed to K and not engage in a SUPL POS session.
- J. Based on the SUPL POS INIT message including posmethod(s) supported by the SET the H-SPC SHALL determine the posmethod. If the H-SLC included its approved positioning methods in step F, the H-SPC SHALL only choose an approved method. The SET and the H-SPC exchange several successive positioning procedure messages (a SUPL POS message exchange is shown conceptually in dotted lines).  
The H-SPC calculates the position estimate based on the received positioning measurements (SET-Assisted) or the SET calculates the position estimate based on assistance obtained from the H-SPC (SET-Based).

- K. Once the position calculation is complete the H-SPC sends a SUPL END message to the SET informing it that no further positioning procedure will be started and that the location session is finished. Depending on the positioning protocol used and positioning method the location estimate is optionally included in the SUPL END message. The SET SHALL release the secure connection and release all resources related to this session. The H-SPC informs the H-SLC that the positioning procedure is finished. The H-SPC SHALL release all resources related to this session.
- L. The H-SPC sends a PEND message to the H-SLC indicating that all resources related to this session are to be released.

#### **5.5.4 SET-Initiated Location Request of another SET**

This scenario does not involve ILP.

#### **5.5.5 Location Request of Transfer Location to Third Party**

All scenarios to do with transfer of location to a third party are identical to the equivalent scenarios without transfer of location as far as ILP is concerned.

### **5.6 Exception Procedures**

This section describes the exception procedures for SET Initiated Immediate scenarios.

#### **5.6.1 SET Authorization Failure**

This error case does not impact the Llp interface.

#### **5.6.2 SUPL Protocol Error**

When a SUPL protocol error occurs and as a result the SUPL session is terminated, a PEND message is used by the SLC or SPC to notify its counterpart (i.e. SPC or SLC) about the end of the SUPL session.

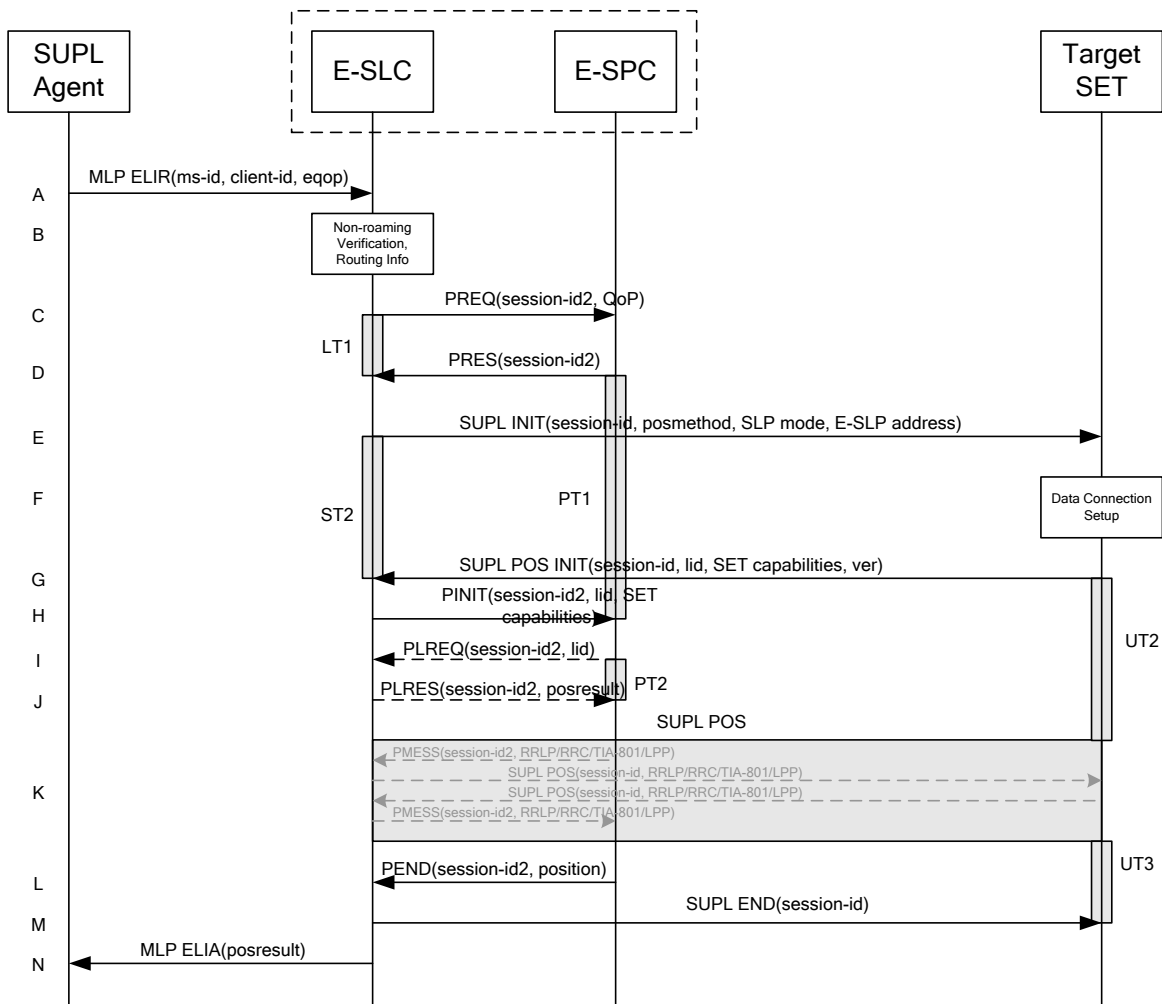
#### **5.6.3 Timer expiration**

Timer expirations are defined in Appendix C.

### **5.7 Emergency Services Location Request – Proxy Mode**

This section describes the handling of Emergency Service Location Requests in Proxy Mode.

### 5.7.1 Non-Roaming Successful Case



**Figure 21: Network Initiated Emergency Services Non-Roaming Successful Case – Proxy Mode**

NOTE 1: See Appendix C for timer descriptions.

- A. The SUPL Agent issues an MLP ELIR message to the E-SLC, with which SUPL Agent is associated. The MLP ELIR message may include the SET IP address and location data. The E-SLC shall authenticate the SUPL Agent and check if the SUPL Agent is authorized for the service it requests, based on the client-id received. If a previously computed position which meets the requested QoP is available at the E-SLC and no notification or verification is required according to local regulatory requirements, the E-SLC SHALL directly proceed to step N. If notification and verification or notification only is required, the E-SLC SHALL proceed to step B.
- B. The E-SLC may use any location data and/or any SET IP address received in step A to verify that the target SET is currently not SUPL Roaming.

NOTE 2: The specifics for determining if the SET is SUPL Roaming or not is considered outside the scope of SUPL (there are various environment dependent mechanisms).

- C. The E-SLC requests service from the E-SPC for a SUPL session by sending a PREQ message containing the session-id2 and the QoP. The E-SLC MAY include its approved positioning methods for this session. If the approved positioning methods are not included, the E-SPC SHALL assume that all its available positioning methods have been approved.

- D. The E-SPC accepts the service request for a SUPL session from the E-SLC with a PRES message containing the session-id2. The E-SPC MAY include a preferred positioning method in the PRES. The E-SPC MAY include its supported positioning methods in the PRES message.
- E. The E-SLC initiates the location session with the SET using the SUPL INIT message. The SUPL INIT message contains at least session-id, proxy/non-proxy mode indicator and the intended positioning method. The SUPL INIT message SHALL contain the E-SLP address if the E-SLP is not the H-SLP for the SET. The SUPL INIT MAY contain the desired QoP. The E-SLP SHALL also include the Notification element in the SUPL INIT message indicating location for emergency services and, according to local regulatory requirements, whether notification or verification to the target SET is or is not required. Before the SUPL INIT message is sent the E-SLC also computes and stores a hash of the message.  
If in step A the E-SLC decided to use a previously computed position, the SUPL INIT message SHALL indicate this in a 'no position' posmethod parameter value and the SET SHALL respond with a SUPL END message carrying the results of the verification process (access granted, or access denied). If no explicit verification is required (notification only) the SET SHALL respond with a SUPL END message. The E-SLC SHALL then directly proceed to step N.
- NOTE 3: Before sending the SUPL END message the SET SHALL perform the data connection setup procedure of step F and use the procedures described in step G to establish a secure connection to the E-SLC.
- F. The SET takes needed action preparing for establishment or resumption of a secure connection.
- G. The SET will evaluate the Notification rules and follow the appropriate actions. The SET also checks the proxy/non-proxy mode indicator to determine if the E-SLP uses proxy or non-proxy mode. In this case, proxy mode is used, and the SET SHALL establish a secure connection to the E-SLC using either the provisioned H-SLP or defaulted E-SLP address, if no E-SLP address was received in step E, or the E-SLP address received in step E. The SET then sends a SUPL POS INIT message to start a positioning session with the E-SLP. The SET SHALL send the SUPL POS INIT message even if the SET supported positioning technologies do not include the intended positioning method indicated in the SUPL INIT message. The SUPL POS INIT message contains at least session-id, SET capabilities, a hash of the received SUPL INIT message (ver) and Location ID (lid). The SET capabilities include the supported positioning methods (e.g., SET-Assisted A-GPS, SET-Based A-GPS) and associated positioning protocols (e.g., RRLP, RRC, TIA-801 or LPP/LPPE). The SET MAY provide NMR specific for the radio technology being used (e.g., for GSM: TA, RXLEV). The SET MAY provide its position, if this is supported. The SET MAY set the Requested Assistance Data element in the SUPL POS INIT.
- H. The E-SLC sends a PINIT message to the E-SPC including session-id2, location id and SET capabilities. The E-SLC MAY include a posmethod in the PINIT. This posmethod may either be the posmethod recommended by the E-SPC in step D, or a different posmethod of the E-SLC's choosing, as long as it is one supported by the E-SPC. Based on the PINIT message including the SET capabilities, the E-SPC SHALL then determine the posmethod. If a posmethod has been included in the PINIT by the E-SLC, the E-SPC SHALL use that posmethod, unless it does not meet the SET capabilities. If no posmethod parameter was included in the PINIT, the E-SPC shall choose any posmethod in line with the SET capabilities which was approved by the E-SLC in step C. If required for the posmethod the E-SPC SHALL use the supported positioning protocol (e.g., RRLP, RRC, TIA-801 or LPP/LPPE) from the PINIT message. If a position received from or calculated based on information received in the PINIT message is available that meets the required QoP, the E-SPC MAY directly proceed to step L and not engage in a SUPL POS session.
- I. If the E-SPC cannot translate the lid received in step H into a position, the E-SPC sends a PLREQ message to the E-SLC. The PLREQ message contains the session-id2 and the lid. This step is optional and not required if the E-SPC can perform the translation from lid into a position itself.
- J. This step is conditional and only occurs if step I was performed. The E-SLC reports the position result back to the E-SPC in a PLRES message. PLRES contains the session-id2 and the posresult. If the position meets the required QoP, the E-SPC MAY directly proceed to step L and not engage in a SUPL POS session.
- K. The SET and the E-SPC exchange several successive positioning procedure messages. Thereby the positioning procedure payload (RRLP/RRC/TIA-801/LPP/LPPE) is transferred between the E-SPC and the E-SLC using PMESS messages. PMESS includes the session-id2 and the positioning procedure payload (RRLP/RRC/TIA-801/LPP/LPPE). The positioning procedure payload (RRLP/RRC/TIA-801/LPP/LPPE) is transferred between the E-

SLC and the SET using SUPL POS messages (the PMESS – SUPL POS – SUPL POS – PMESS message exchange is conceptually shown in dotted lines).

The E-SPC calculates the position estimate based on the received positioning measurements (SET-Assisted) or the SET calculates the position estimate based on assistance obtained from the E-SLP (SET-Based).

- L. Once the position calculation is complete the E-SPC sends a PEND message to the E-SLC including the position result.
- M. The E-SLC sends a SUPL END message to the SET informing it that no further positioning procedure will be started and that the location session is finished. The SET SHALL release the secure connection to the E-SLC and release all resources related to this session.
- N. The E-SLC sends the position estimate back to the SUPL Agent using an MLP ELIA message. The E-SLP SHALL release all resources related to this session.

### 5.7.2 Roaming with V-SLP Positioning Successful Case

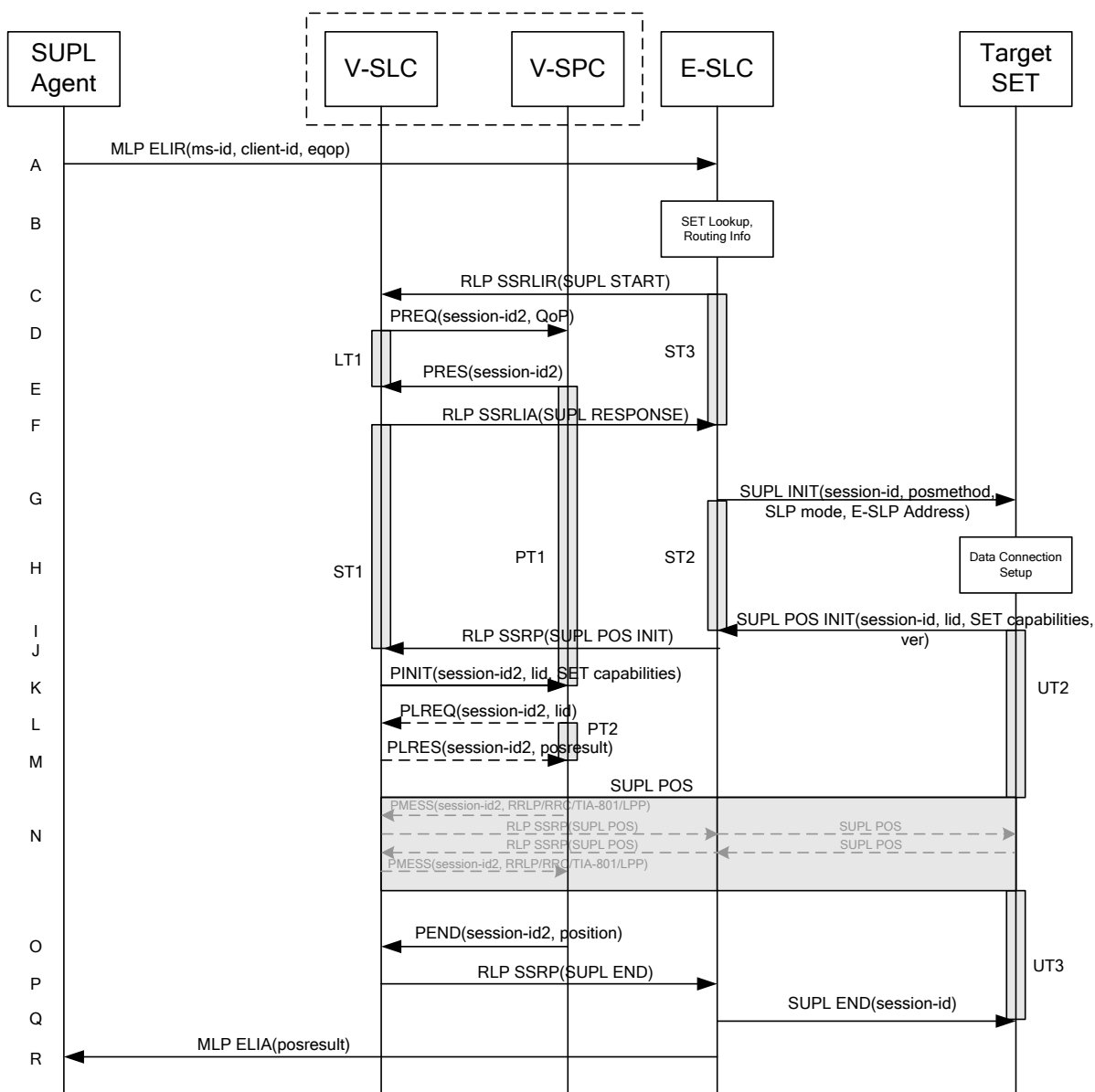


Figure 22: Network Initiated Emergency Services Roaming Successful Case – Proxy Mode with V-SLP positioning



NOTE 1: See Appendix C for timer descriptions.

- A. The SUPL Agent issues an MLP ELIR message to the E-SLC, with which SUPL Agent is associated. The MLP ELIR message may include the SET IP address and location data. The E-SLC SHALL authenticate the SUPL Agent and check if the SUPL Agent is authorized for the service it requests, based on the client-id received. If a previously computed position which meets the requested QoP is available at the E-SLC and no notification or verification is required according to local regulatory requirements, the E-SLC SHALL directly proceed to step R. If notification and verification or notification only is required, the E-SLC SHALL proceed to step G after having performed step B.
- B. The E-SLC may use any location data and/or any SET IP address received in step A to verify that the target SET is currently SUPL Roaming.

NOTE 2: The specifics for determining if the SET is SUPL Roaming or not is considered outside the scope of SUPL (there are various environment dependent mechanisms).

- C. The E-SLC sends an RLP SSRLIR to the V-SLC to inform the V-SLC that the target SET will initiate a SUPL positioning procedure. Mandatory parameters in SUPL START that are not known to the E-SLC (lid and SET capabilities) shall be populated with arbitrary values by the E-SLC and be ignored by V-SLC. The SET part of the session-id will not be included in this message by the E-SLC to distinguish this scenario from a SET Initiated scenario.
- D. The V-SLC requests service from the V-SPC for a SUPL session by sending a PREQ message containing the session-id2 and the QoP. The V-SLC MAY include its approved positioning methods for this session. If the approved positioning methods are not included, the V-SPC SHALL assume that all its available positioning methods have been approved.
- E. The V-SPC accepts the service request for a SUPL session from the V-SLC with a PRES message containing the session-id2. The V-SPC MAY include a preferred positioning method in the PRES. The V-SPC MAY include its supported positioning methods in the PRES.
- F. The V-SLC acknowledges that it is ready to initiate a SUPL positioning procedure with an RLP SSRLIA back to the E-SLC.
- G. The E-SLC initiates the location session with the SET using the SUPL INIT message. The SUPL INIT message contains at least session-id, proxy/non-proxy mode indicator and the intended positioning method. The SUPL INIT SHALL contain the E-SLP address if the E-SLP is not the H-SLP for the SET. The SUPL INIT MAY contain the desired QoP. The E-SLC SHALL also include the Notification element in the SUPL INIT message indicating location for emergency services and, according to local regulatory requirements, whether notification or verification to the target SET is or is not required. Before the SUPL INIT message is sent the E-SLC also computes and stores a hash of the message.  
If in step A the E-SLC decided to use a previously computed position, the SUPL INIT message SHALL indicate this in a 'no position' posmethod parameter value and the SET SHALL respond with a SUPL END message to the E-SLC carrying the results of the verification process (access granted, or access denied). If no verification is required (notification only) the SET SHALL respond with a SUPL END message to the E-SLC. The E-SLP SHALL then directly proceed to step R.

NOTE 3: Before sending the SUPL END message the SET SHALL perform the data connection setup procedure of step H and use the procedures described in step I to establish a secure connection to the E-SLC.

- H. The SET takes needed action preparing for establishment or resumption of a secure connection.
- I. The SET will evaluate the Notification rules and follow the appropriate actions. The SET also checks the proxy/non-proxy mode indicator to determine if the E-SLP uses proxy or non-proxy mode. In this case, proxy mode is used, and the SET SHALL establish a secure connection to the E-SLC using either the H-SLP address, if no E-SLP address was received in step G, or the E-SLP address received in step G. The SET then sends a SUPL POS INIT message to start a positioning session with the E-SLC. The SET SHALL send the SUPL POS INIT message even if the SET supported positioning technologies do not include the intended positioning method indicated in the SUPL INIT message. The SUPL POS INIT message contains at least session-id, SET capabilities, a hash of the received SUPL INIT message (ver) and Location ID (lid). The SET capabilities include the supported positioning methods

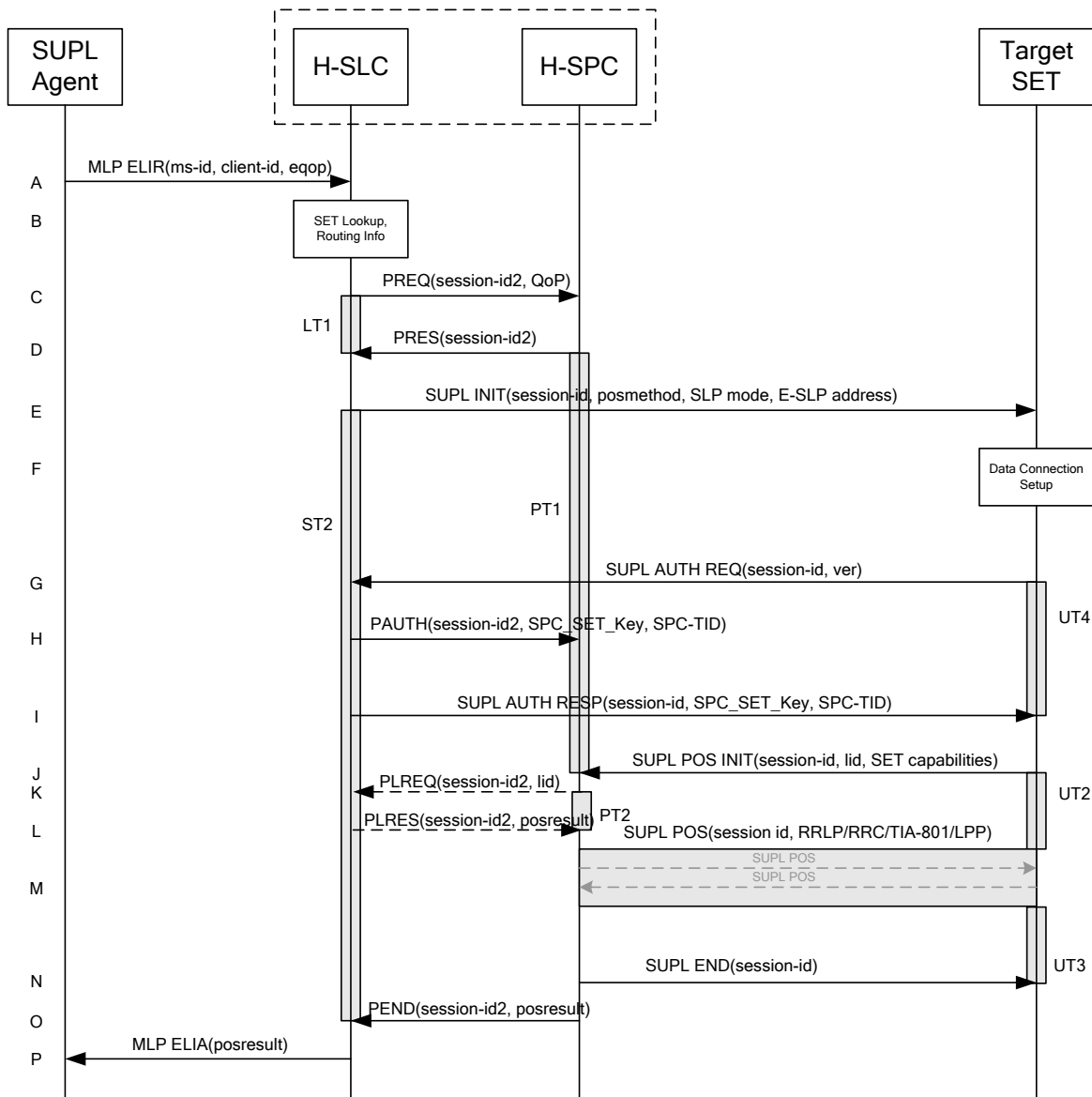
(e.g., SET-Assisted A-GPS, SET-Based A-GPS) and associated positioning protocols (e.g., RRLP, RRC, TIA-801 or LPP/LPPe). The SET MAY optionally provide NMR specific for the radio technology being used (e.g., for GSM: TA, RXLEV). The SET MAY provide its position, if this is supported. The SET MAY set the Requested Assistance Data element in the SUPL POS INIT.

- J. The E-SLC SHALL check that the hash of SUPL INIT matches the one it has computed for this particular session. The E-SLC then tunnels the SUPL POS INIT message to the V-SLC using RLP.
- K. The V-SLC sends a PINIT message to the V-SPC including session-id2, location id and SET capabilities. The V-SLC MAY include a posmethod in the PINIT. This posmethod may either be the posmethod recommended by the V-SPC in step E, or a different posmethod of the V-SLC's choosing, as long as it is one supported by the V-SPC. Based on the PINIT message including the SET capabilities, the V-SPC SHALL determine the posmethod. If a posmethod has been included in the PINIT by the V-SLC, the V-SPC SHALL use that posmethod, unless it does not meet the SET capabilities. If no posmethod parameter was included in the PINIT, the V-SPC shall choose any posmethod in line with the SET capabilities which was approved by the V-SLC in step D. If required for the posmethod the V-SPC SHALL use the supported positioning protocol (e.g., RRLP, RRC, TIA-801 or LPP/LPPe) from the PINIT message. If an initial position calculated based on information received in the PINIT message is available that meets the required QoP, the V-SPC MAY directly proceed to step O and not engage in a SUPL POS session.
- L. If the V-SPC cannot translate the lid received in step K into an initial position, the V-SPC sends a PLREQ message to the V-SLC. The PLREQ message contains the session-id2 and the lid. This step is optional and not required if the V-SPC can perform the translation from lid into an initial position itself.
- M. This step is conditional and only occurs if step L was performed. The V-SLC reports an initial position result back to the V-SPC in a PLRES message. PLRES contains the session-id2 and the posresult. If the initial position meets the required QoP, the V-SPC MAY directly proceed to step O and not engage in a SUPL POS session.
- N. The SET and the V-SPC exchange several successive positioning procedure messages. Thereby the positioning procedure payload (RRLP/RRC/TIA-801/LPP/LPPe) is transferred between the V-SPC and the V-SLC using PMESS messages. PMESS includes the session-id2 and the positioning procedure payload (RRLP/RRC/TIA-801/LPP/LPPe). The positioning procedure payload (RRLP/RRC/TIA-801/LPP/LPPe) is transferred between the V-SLC and the E-SLC using SUPL POS over RLP tunnel messages. The positioning procedure payload (RRLP/RRC/TIA-801/LPP/LPPe) is transferred between the E-SLC and the SET using SUPL POS messages. The flow sequence PMESS – RLP SSRP (SUPL POS) – SUPL POS – SUPL POS – RLP SSRP(SUPL POS) – PMESS is conceptually shown in dotted lines.  
The V-SPC calculates the position estimate based on the received positioning measurements (SET-Assisted) or the SET calculates the position estimate based on assistance obtained from the V-SPC (SET-Based).
- O. Once the position calculation is complete, the V-SPC sends a PEND message to the V-SLC including the position result.
- P. The V-SLC sends a SUPL END message to the E-SLC over RLP. The SUPL END message SHALL contain the session id and the position result.
- Q. The E-SLC sends the SUPL END message to the SET informing it that no further positioning procedure will be started and that the location session is finished. The SET SHALL release the secure connection to the E-SLC and release all resources related to this session.
- R. The E-SLC sends the position estimate back to the SUPL Agent using an MLP ELIA message.

## 5.8 Emergency Services Location Request – Non-Proxy Mode

This section describes the handling of an Emergency Services Location Request in Non-Proxy Mode.

### 5.8.1 Non-Roaming Successful Case



**Figure 23: Network Initiated Non-Roaming Successful Case – Non-Proxy mode**

NOTE 1: See Appendix C for timer descriptions.

- A. The SUPL Agent issues an MLP ELIR message to the E-SLC, with which SUPL Agent is associated. The MLP ELIR message may include the SET IP address and location data. The E-SLC SHALL authenticate the SUPL Agent and check if the SUPL Agent is authorized for the service it requests, based on the client-id received. If a previously computed position which meets the requested QoP is available at the E-SLC and no notification or verification is required according to local regulatory requirements, the E-SLC SHALL directly proceed to step P. If notification and verification or notification only is required, the E-SLC SHALL proceed to step E after having performed the SET Lookup and Routing Info procedures of step B.
- B. The E-SLC may use any location data and/or any SET IP address received in step A to verify that the target SET is currently not SUPL Roaming.

NOTE 2: The specifics for determining if the SET is SUPL Roaming or not is considered outside scope of SUPL (there are various environment dependent mechanisms).

- C. The E-SLC requests service from the E-SPC for a SUPL session by sending a PREQ message containing the session-id2 and the QoP. The E-SLC MAY include its approved positioning methods for this session. If the approved positioning methods are not included, the E-SPC SHALL assume that all its available positioning methods have been approved.
- D. The E-SPC accepts the service request for a SUPL session from the E-SLC with a PRES message containing the session-id2. The E-SPC MAY include a preferred positioning method in the PRES. The E-SPC MAY include its supported positioning methods in the PRES message.
- E. The E-SLC initiates the location session with the SET using the SUPL INIT message. The SUPL INIT message SHALL contain session-id, address of the V-SPC, proxy/non-proxy mode indicator and the intended positioning method. The SUPL INIT SHALL also contain the E-SLP address if the E-SLP is not the H-SLP for the SET. The SUPL INIT MAY contain the desired QoP. The E-SLC SHALL also include the Notification element in the SUPL INIT message indicating location for emergency services and, according to local regulatory requirements, whether notification or verification to the target SET is or is not required. Before the SUPL INIT message is sent the E-SLC also computes and stores a hash of the message.  
If in step A the E-SLC decided to use a previously computed position, the SUPL INIT message SHALL indicate this in a 'no position' posmethod parameter value and the SET SHALL respond with a SUPL END message carrying the results of the verification process (access granted, or access denied). If no explicit verification is required (notification only) the SET SHALL respond with a SUPL END message. The H-SLC SHALL then directly proceed to step P. Note: before sending the SUPL END message the SET SHALL perform the data connection setup procedure of step F to establish a secure connection to the E-SLC.
- F. The SET takes needed action preparing for establishment or resumption of a secure connection.
- G. The SET will evaluate the Notification rules and follow the appropriate actions. The SET SHALL establish a secure connection to the E-SLC using either the provisioned H-SLP or defaulted E-SLP address, if no E-SLP address was received in step E, or the E-SLP address received in step E. The SET also checks the proxy/non-proxy mode indicator to determine if the E-SLP uses proxy or non-proxy mode. In this case, non-proxy mode is used and the SET SHALL send a SUPL AUTH REQ to the E-SLC. The SUPL AUTH REQ SHALL contain the session-id and a hash of the received SUPL INIT message (ver).
- H. The E-SLC creates SPC\_SET\_Key and SPC-TID to be used for mutual E-SPC/SET authentication. The E-SLC forwards SPC\_SET\_Key and SPC-TID to the E-SPC using a PAUTH message with also includes the session-id.
- I. The E-SLC returns a SUPL AUTH RESP message to the SET. The SUPL AUTH RESP message SHALL contain the session-id, SPC\_SET\_Key and SPC-TID.
- J. The SET will evaluate the Notification rules and follow the appropriate actions. The SET establishes a secure connection to the E-SPC according to the address received in step E. The SET and E-SPC perform mutual authentication and the SET sends a SUPL POS INIT message to start a positioning session with the E-SPC. The SET SHALL send the SUPL POS INIT message even if the SET supported positioning technologies do not include the intended positioning method indicated in the SUPL INIT message. The SUPL POS INIT message contains at least session-id, SET capabilities and Location ID (lid). The SET capabilities include the supported positioning methods (e.g., SET-Assisted A-GPS, SET-Based A-GPS) and associated positioning protocols (e.g., RRLP, RRC, TIA-801 or LPP/LPPE). The SET MAY provide NMR specific for the radio technology being used (e.g., for GSM: TA, RXLEV). The SET MAY provide its position, if this is supported. The SET MAY set the Requested Assistance Data element in the SUPL POS INIT. The SET SHALL also release the IP connection to the E-SLC and release all resources related to this session. If an initial position calculated based on information received in the SUPL POS INIT message is available which meets the requested QoP, the E-SPC MAY directly proceed to step N and no SUPL POS positioning session takes place.
- K. If the E-SPC cannot translate the lid received in step J into an initial position, the E-SPC sends a PLREQ message to the E-SLC. The PLREQ message contains the session-id2 and the lid. This step is optional and not required if the E-SPC can perform the translation from lid into an initial position itself.

- L. This step is conditional and only occurs if step K was performed. The E-SLC reports the initial position result back to the E-SPC in a PLRES message. PLRES contains the session-id2 and the posresult. If the initial position meets the required QoP, the E-SPC MAY directly proceed to step N and not engage in a SUPL POS session.
- M. Based on the SUPL POS INIT message including posmethod(s) supported by the SET the E-SPC SHALL determine the posmethod. If the E-SLC included its approved positioning methods in step C, the E-SPC SHALL only choose an approved method. If required for the posmethod the E-SPC SHALL use the supported positioning protocol (e.g., RRLP, RRC, TIA-801 or LPP/LPPE) from the SUPL POS INIT message.  
The SET and the E-SPC exchange several successive positioning procedure messages (a SUPL POS message exchange is shown conceptually in dotted lines).  
The E-SPC calculates the position estimate based on the received positioning measurements (SET-Assisted) or the SET calculates the position estimate based on assistance obtained from the E-SPC (SET-Based).
- N. Once the position calculation is complete, the E-SPC sends the SUPL END message to the SET informing it that no further positioning procedure will be started and that the SUPL session is finished. The SET SHALL release the secure connection to the E-SPC and release all resources related to this session.
- O. The E-SPC sends the position estimate to the E-SLC using a PEND message. This also indicates the end of the SUPL session. The E-SPC SHALL release all resources related to this session.
- P. The E-SLC sends the position estimate back to the SUPL Agent using an MLP ELIA message. The E-SLC SHALL release all resources related to this session.

## 5.8.2 Roaming Successful Case with V-SPC Positioning

SET Roaming where the V-SPC is involved in the positioning calculation

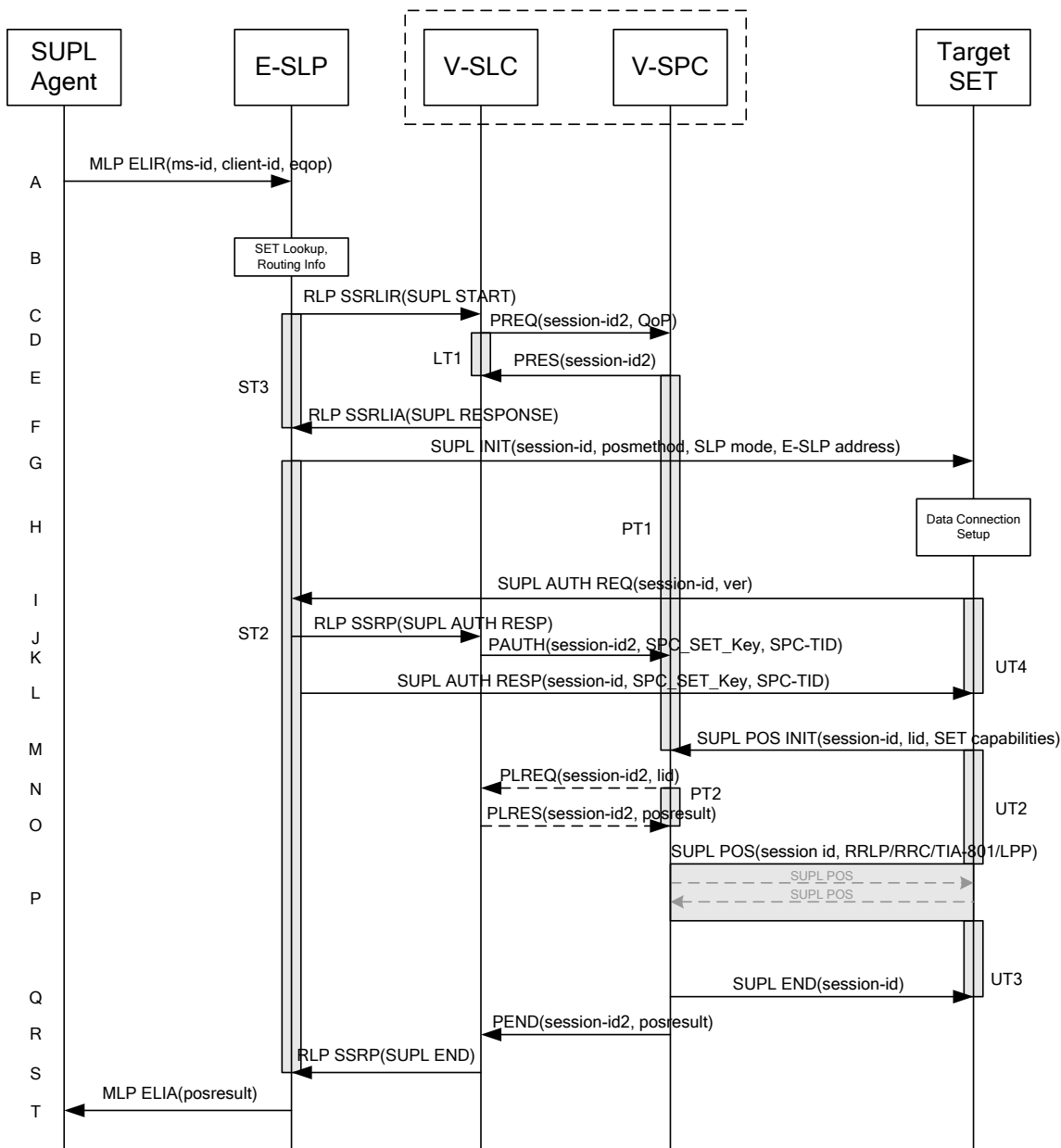


Figure 24: Network Initiated Roaming Successful Case – Non-Proxy-mode with V-SPC positioning

NOTE 1: See Appendix C for timer descriptions.

- A. SUPL Agent issues an MLP ELIR message to the E-SLP, with which SUPL Agent is associated. The MLP ELIR message may include the SET IP address and location data. The E-SLP SHALL authenticate the SUPL Agent and check if the SUPL Agent is authorized for the service it requests, based on the client-id received. If a previously computed position which meets the requested QoP is available at the E-SLP and no notification or verification is required according to local regulatory requirements, the E-SLP SHALL directly proceed to step T. If notification and verification or notification only is required, the E-SLP SHALL proceed to step G after having performed the Roaming Verification and Routing Info procedures of step B.
- B. The E-SLP may use any location data and/or any SET IP address received in step A to verify that the target SET is currently SUPL Roaming.

NOTE 2: The specifics for determining if the SET is SUPL Roaming or not is considered outside scope of SUPL (there are various environment dependent mechanisms).

- C. The E-SLP allocates a session-id for the SUPL session and decides that the V-SPC will provide assistance data or perform the position calculation. The E-SLP sends an RLP SSRLIR to the V-SLC to inform the V-SLC that the target SET will initiate a SUPL positioning procedure. Mandatory parameters in SUPL START that are not known to E-SLP (lid and SET capabilities) shall be populated with arbitrary values by E-SLP and be ignored by V-SLP. The SET part of the session-id will not be included in this message by the E-SLP to distinguish this scenario from a SET Initiated scenario.
- D. The V-SLC requests service from the V-SPC for a SUPL session by sending a PREQ message containing the session-id2 and the QoP. The V-SLC MAY include its approved positioning methods for this session. If the approved positioning methods are not included, the V-SPC SHALL assume that all its available positioning methods have been approved.
- E. The V-SPC accepts the service request for a SUPL session from the V-SLC with a PRES message containing the session-id2. The V-SPC MAY include a preferred positioning method in the PRES. The V-SPC MAY include its supported positioning methods in the PRES.
- F. The V-SLC acknowledges that V-SPC is ready to initiate a SUPL positioning procedure with an RLP SSRLIA back to the H-SLC. The message includes at least session-id, posmethod and the address of the V-SPC.
- G. The E-SLP initiates the location session with the SET using the SUPL INIT message. The SUPL INIT message SHALL contain session-id, address of the V-SPC, proxy/non-proxy mode indicator and the intended positioning method. The SUPL INIT SHALL also contain the E-SLP address if the E-SLP is not the H-SLP for the SET. The SUPL INIT MAY contain the desired QoP. The E-SLP SHALL also include Notification element in the SUPL INIT message indicating location for emergency services and, according to local regulatory requirements, whether notification or verification to the target SET is or is not required.  
If in step A the E-SLP decided to use a previously computed position the SUPL INIT message SHALL indicate this in a 'no position' posmethod parameter value and the SET SHALL respond with a SUPL END message to the E-SLP carrying the results of the verification process (access granted, or access denied). If no verification is required (notification only) the SET SHALL respond with a SUPL END message to the E-SLP. The E-SLP SHALL then directly proceed to step T.

NOTE 3: Before sending the SUPL END message the SET SHALL perform the data connection setup procedure of step H and use the procedures described in step I to establish an IP connection to the E-SLP.

- H. The SET takes needed action preparing for establishment or resumption of a secure connection.
- I. The SET establishes a secure connection to the E-SLP using either the provisioned H-SLP or defaulted E-SLP address, if no E-SLP address was received in step G, or the E-SLP address provided in step G. The SET then checks the proxy/non-proxy mode indicator to determine if the E-SLP uses proxy or non-proxy mode. In this case non-proxy mode is used and the SET SHALL send a SUPL AUTH REQ message to the E-SLP. The SUPL AUTH REQ message SHALL contain session-id and a hash of the SUPL INIT message (ver).
- J. The E-SLP creates SPC\_SET\_Key and SPC-TID to be used for mutual V-SPC/SET authentication. The E-SLP forwards SPC\_SET\_Key and SPC-TID to the V-SLC through an RLP SSRP message.
- K. The V-SLC forwards SPC\_SET\_Key and SPC-TID to the V-SPC using the PAUTH message.
- L. The H-SLC returns a SUPL AUTH RESP to the SET. The SUPL AUTH RESP message SHALL contain the session-id, SPC\_SET\_Key and SPC-TID.
- M. The SET will evaluate the Notification rules and follow the appropriate actions. The SET establishes an IP connection to the V-SPC according to the address received in step G. The SET and V-SPC may perform mutual authentication and the SET sends a SUPL POS INIT message to start a SUPL positioning session with the V-SPC. The SET SHALL send the SUPL POS INIT message even if the SET supported positioning technologies do not include the intended positioning method indicated in the SUPL INIT message. The SUPL POS INIT message contains at least session-id, SET capabilities and Location ID (lid). The SET capabilities include the supported positioning methods (e.g., SET-Assisted A-GPS, SET-Based A-GPS) and associated positioning protocols (e.g., RRLP, RRC, TIA-801 or LPP/LPPe). The SET MAY provide NMR specific for the radio technology being used (e.g., for GSM: TA, RXLEV). The SET MAY provide its position, if this is supported. The SET MAY set the

Requested Assistance Data element in the SUPL POS INIT. The SET SHALL also release the IP connection to the E-SLP and release all resources related to this session.

- N. If the V-SPC cannot translate the lid received in step M into an initial position, the V-SPC sends a PLREQ message to the V-SLC. The PLREQ message contains the session-id2 and the lid. This step is optional and not required if the V-SPC can perform the translation from lid into an initial position itself.
- O. This step is conditional and only occurs if step N was performed. The V-SLC reports the initial position result back to the V-SPC in a PLRES message. PLRES contains the session-id2 and the posresult. If the initial position meets the required QoP, the V-SPC MAY directly proceed to step Q and not engage in a SUPL POS session.
- P. Based on the SUPL POS INIT message including posmethod(s) supported by the SET, the V-SPC SHALL determine the posmethod. If the V-SLC included its approved positioning methods in step D, the V-SPC SHALL only choose an approved method. If required for the posmethod, the V-SPC SHALL use the supported positioning protocol (e.g., RRLP, RRC, TIA-801 or LPP/LPPE) from the SUPL POS INIT message. The SET and the V-SPC exchange several successive positioning procedure messages (a SUPL POS message exchange is shown conceptually in dotted lines).  
The V-SPC calculates the position estimate based on the received positioning measurements (SET-Assisted) or the SET calculates the position estimate based on assistance obtained from the V-SPC (SET-Based).
- Q. Once the position calculation is complete the V-SPC sends a SUPL END message to the SET informing it that no further positioning procedure will be started and that the positioning session is finished. The SET SHALL release all resources related to this session.
- R. The V-SPC informs the V-SLC using a PEND message that the positioning procedure is completed and returns the position result. The V-SPC SHALL release all resources related to this session.
- S. The V-SLC sends a SUPL END message within an RLP SSRP message to the E-SLP carrying the position result. The V-SLC SHALL release all resources related to this session.
- T. The E-SLP sends the position estimate back to the SUPL Agent in an MLP ELIA message.



## 6. Detailed Flows - Triggered Services: Periodic Triggers

The flows in this section are those for which periodic triggers are required.

### Set up and release of connections:

Before sending any ULP messages the SET SHALL take needed actions such that a TLS connection exists to the SLP/SLC. This can be achieved by establishing a new connection, resume a connection or reuse an existing TLS connection. This includes establishment or utilization of various data connectivity resources that depends on the terminal in which the SET resides and the type of access network. Data connectivity below IP-level is out of scope of this document.

The detailed flows in this section describes when a TLS connection no longer is needed. The TLS connection shall then be released unless another SUPL session is using the TLS connection.

### 6.1 Network Initiated – Proxy mode

This section describes the Network Initiated Proxy mode scenarios. It is assumed that the trigger resides in the SET (see [SUPL2 ULP TS] for more details).

The concept of the R-SLC applies as with Immediate Service but for the sake of simplicity has been omitted in this section.

### 6.1.1 Non-Roaming Successful Case

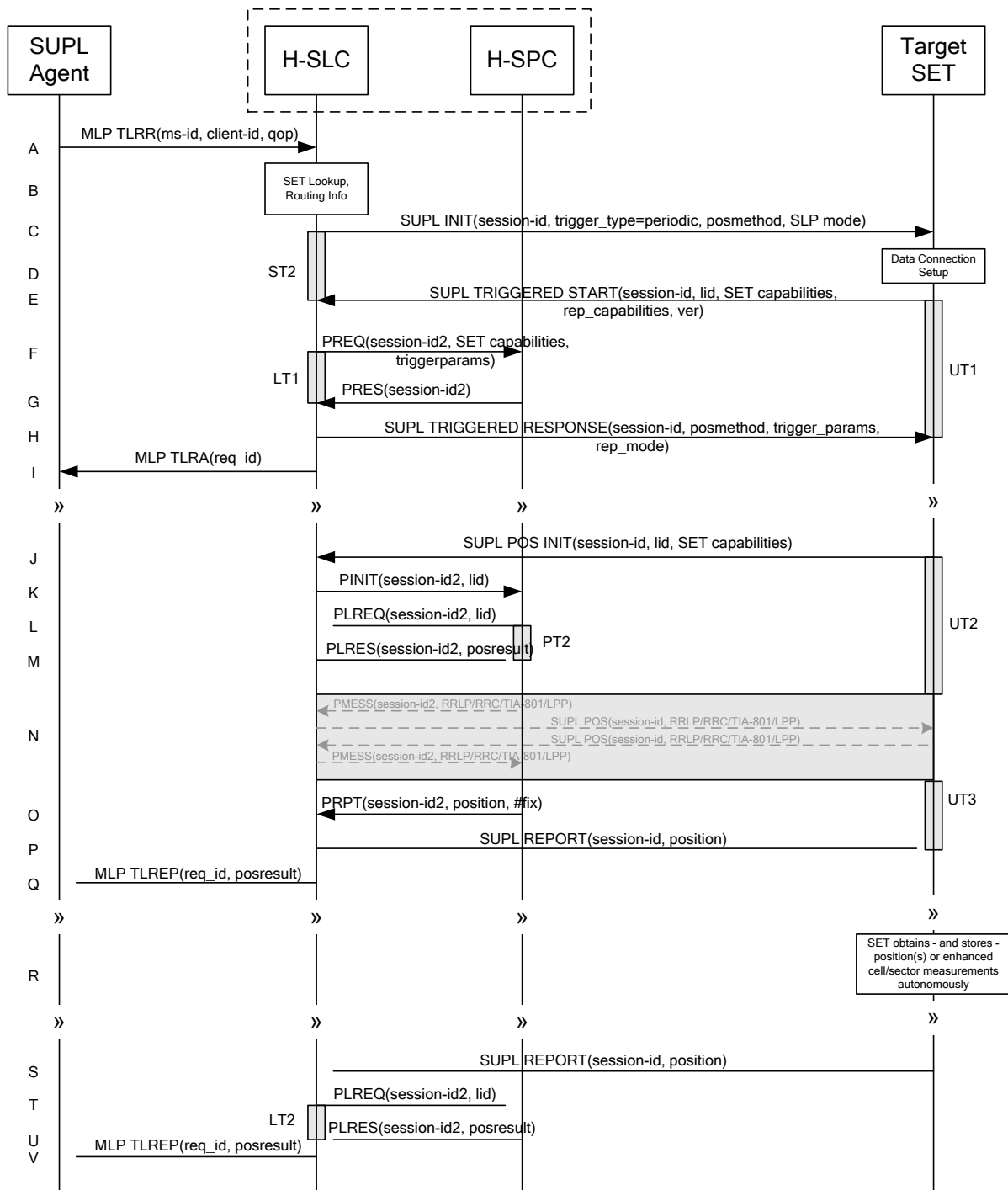


Figure 25: Network Initiated Periodic Trigger Service Non-Roaming Successful Case – Proxy Mode (Part I)

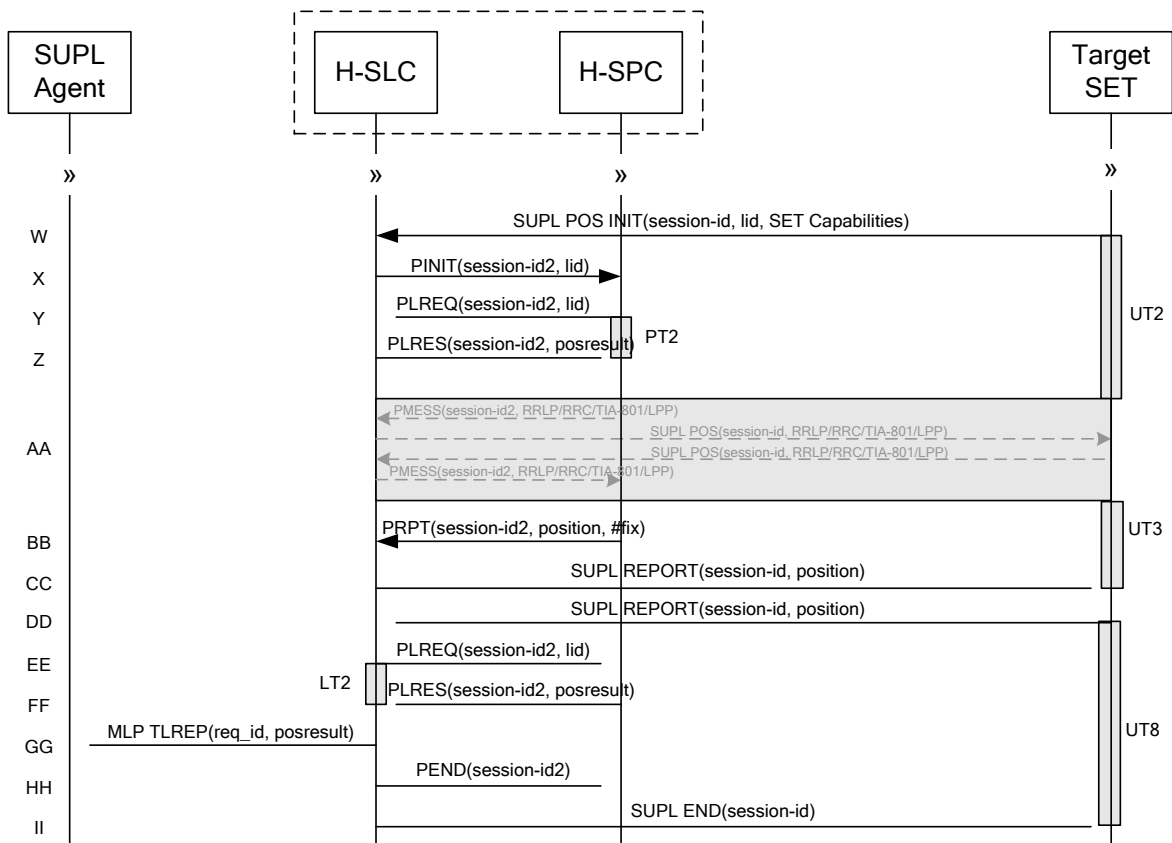


Figure 26: Network Initiated Periodic Trigger Service Non-Roaming Successful Case – Proxy Mode (Part II)

NOTE 1: See Appendix C for timer descriptions.

- A. SUPL Agent issues an MLP TLRR message to the H-SLP, with which SUPL Agent is associated. The H-SLP shall authenticate the SUPL Agent and check if the SUPL Agent is authorized for the service it requests, based on the client-id received. Further, based on the received ms-id the H-SLP shall apply subscriber privacy against the client-id. The TKRR message may indicate that batch reporting or quasi-real time reporting is to be used instead if real time reporting. In the case of batch reporting, the TLRR indicates the conditions for sending batch reports to the H-SLP and any criteria, when the conditions for sending arise, for including or excluding particular stored position estimates (e.g. QoP, time window).
- B. The H-SLP verifies that the target SET is currently not SUPL Roaming. The H-SLP MAY also verify that the target SET supports SUPL.

NOTE 2: The specifics for determining if the SET is SUPL Roaming or not is considered outside the scope of SUPL. However, there are various environment dependent mechanisms.

NOTE 3: Alternatively, the H-SLP may determine whether the SET is SUPL Roaming in a later step using the location identifier (lid) received from the SET.

NOTE 4: The specifics for determining if the SET supports SUPL are beyond SUPL 2.1 scope.

- C. The H-SLP initiates the periodic trigger session with the SET using the SUPL INIT message. The SUPL INIT message contains at least session-id, trigger type indicator (in this case periodic), proxy/non-proxy mode indicator and the intended positioning method. If the result of the privacy check in Step A indicates that notification or verification to the target subscriber is needed, the H-SLP SHALL also include the Notification element in the SUPL INIT message. Before the SUPL INIT message is sent, the H-SLP also computes and stores a hash of the message.

- D. The SET analyses the received SUPL INIT. If it is found to be non authentic, the SET takes no further action. Otherwise the SET takes needed action preparing for establishment or resumption of a secure connection.
- E. The SET will evaluate the Notification rules and follow the appropriate actions. The SET also checks the proxy/non-proxy mode indicator to determine if the H-SLP uses proxy or non-proxy mode. In this case, proxy mode is used, and the SET SHALL establish a secure connection to the H-SLP using SLP address that has been provisioned by the Home Network to the SET.  
The SET then sends a SUPL TRIGGERED START message to start a periodic triggered session with the H-SLP. The SET SHALL send the SUPL TRIGGERED START message even if the SET supported positioning technologies do not include the intended positioning method indicated in the SUPL INIT message. The SUPL TRIGGERED START message contains at least session-id, SET capabilities, a hash of the received SUPL INIT message (ver) and Location ID (lid) and reporting capabilities (rep\_capabilities). The SET capabilities include the supported positioning methods (e.g., SET-Assisted A-GPS, SET-Based A-GPS) and associated positioning protocols (e.g., RRLP, RRC, TIA-801 or LPP/LPPe). The rep\_capabilities parameter indicates whether the SET is capable of batch reporting, real time reporting and/or quasi-real time reporting. The H-SLC SHALL check that the hash of SUPL INIT matches the one it has computed for this particular session.
- F. The H-SLC requests service from the H-SPC for a periodic triggered SUPL session by sending a PREQ message containing the session-id2, the SET capabilities, the triggerparams and the lid. The PREQ MAY also optionally contain the QoP. The H-SLC MAY include its approved positioning methods for this session. If the approved positioning methods are not included, the H-SPC SHALL assume that all its available positioning methods have been approved.
- G. The H-SPC accepts the service request for a SUPL session from the H-SLC with a PRES message containing the session-id2. The H-SPC MAY include a preferred positioning method in the PRES. The H-SPC MAY include its supported positioning methods in the PRES.
- H. Consistent with the SET capabilities received in the SUPL TRIGGERED START message the H-SLC selects the intended positioning method to be used for the periodic triggered session. If the H-SPC included a list of supported posmethods in step G, the chosen posmethod SHALL be on this list. The H-SLC responds with a SUPL TRIGGERED RESPONSE message including session-id, posmethod and periodic trigger parameters. Consistent with the rep\_capabilities of the SET, the H-SLP also indicates the reporting mode (rep\_mode parameter) to be used by the SET: real time reporting, quasi-real time reporting or batch reporting. In the case of batch reporting, the SUPL TRIGGERED RESPONSE message indicates the conditions for sending batch reports to the H-SLP and any criteria, when the conditions for sending arise, for including or excluding particular stored position estimates and/or (if allowed) particular stored enhanced cell/sector measurements. In the case of quasi-real time reporting, the SUPL TRIGGERED RESPONSE message indicates whether the SET is allowed to send enhanced cell/sector measurements in lieu of or in addition to position estimates. If enhanced cell/sector positioning was selected for batch or quasi-real time reporting, the SUPL TRIGGERED RESPONSE message indicates if the SET is permitted to send stored enhanced cell/sector measurements. In this case, if batch reporting was selected, the SET MAY skip steps J to N.
- I. The H-SLP informs the SUPL Agent in an MLP TLRA message that the triggered location response request has been accepted and also includes a req\_id parameter to be used as a transaction id for the entire duration of the periodic triggered session. The SET and the H-SLP MAY release the secure connection.

NOTE 5: The MLP TLRA may be sent earlier at any time after the H-SLP receives the MLP TLRR.

- J. When the periodic trigger in the SET indicates that a position fix has to be performed, the SET takes appropriate action establishing or resuming a secure connection. The SET then sends a SUPL POS INIT message to start a positioning session with the H-SLP. The SUPL POS INIT message contains at least session-id and the Location ID (lid) and the SET capabilities parameter. The SET MAY provide NMR specific for the radio technology being used (e.g., for GSM: TA, RXLEV). The SET MAY provide its position, if this is supported. The SET MAY set the Requested Assistance Data element in the SUPL POS INIT.  
If a position calculated based on information received in the SUPL POS INIT message is available (e.g. a cell-id based position fix) that meets the required QoP, the H-SLP MAY directly proceed to step P and not engage in a SUPL POS session.

- K. The H-SLC sends a PINIT message to the H-SPC including session-id2, location id and SET capabilities. The H-SLC MAY include a posmethod in the PINIT. This posmethod may either be the posmethod recommended by the H-SPC in step G, or a different posmethod of the H-SLC's choosing, as long as it is one supported by the H-SPC. Based on the PINIT message including the SET capabilities, the H-SPC SHALL determine the posmethod. If a posmethod has been included in the PINIT by the H-SLC, the H-SPC SHALL use that posmethod, unless it does not meet the SET capabilities. If no posmethod parameter was included in the PINIT, the H-SPC shall choose any posmethod in line with the SET capabilities, which was approved by the H-SLC in step F. If a coarse position calculated based on information received in the PINIT message is available that meets the required QoP, the H-SPC MAY directly proceed to step O and not engage in a SUPL POS session.
- L. If the H-SPC cannot translate the lid received in step K into a coarse position, the H-SPC sends a PLREQ message to the H-SLC. The PLREQ message contains the session-id2 and the lid. This step is optional and not required if the H-SPC can perform the translation from lid into coarse position itself.
- M. This step is conditional and only occurs if step L was performed. The H-SLC calculates a coarse position based on lid and reports the result back to the H-SPC in a PLRES message. PLRES contains the session-id2 and the posresult. If the coarse position meets the required QoP, the H-SPC MAY directly proceed to step O and not engage in a SUPL POS session.
- N. The SET and the H-SLP exchange several successive positioning procedure messages. Thereby the positioning procedure payload (RRLP/RRC/TIA-801/LPP/LPPe) is transferred between the H-SPC and the H-SLC using PMESS messages. PMESS includes the session-id2 and the positioning procedure payload (RRLP/RRC/TIA-801/LPP/LPPe). The positioning procedure payload (RRLP/RRC/TIA-801/LPP/LPPe) is transferred between the H-SLC and the SET using SUPL POS messages (the PMESS – SUPL POS – SUPL POS – PMESS message exchange is conceptually shown in dotted lines). The H-SPC calculates the position estimate based on the received positioning measurements (SET-Assisted) or the SET calculates the position estimate based on assistance obtained from the H-SPC (SET-Based).
- O. Once the position calculation is complete the H-SPC sends a PRPT message to the H-SLC. PRPT contains the session-id2, the position result if calculated in H-SPC and the number of the fix.
- P. Once the position calculation is complete the H-SLP sends the SUPL REPORT message to the SET informing it that the positioning procedure is completed. The SET MAY release the secure connection to the H-SLP. If the reporting mode is batch reporting, the SET stores all calculated position estimates. In SET Assisted mode the position is calculated by the H-SLP and therefore needs to be included in the message for batch reporting mode.
- If a SET Based positioning method was chosen which allows the SET to autonomously calculate a position estimate (e.g. autonomous GPS or A-GPS SET Based mode where the SET has current GPS assistance data and does not require an assistance data update from the H-SLP) steps J to P are not performed. Instead, the SET autonomously calculates the position estimate and – for real time or quasi-real time reporting – sends the calculated position estimate to the H-SLP using a SUPL REPORT message containing the session-id and the position estimate.
- Q. This step is optional: Once the position calculation is complete and if real time or quasi-real time reporting is used, the H-SLP sends a MLP TLREP message to the SUPL Agent. The MLP TLREP message includes the req\_id and the position result. If the reporting mode is set to batch reporting, this message is not used.
- R. This step is optional: If the SET cannot communicate with the H-SLP (e.g. no radio coverage available) and quasi-real time reporting is used or if batch reporting is used, the SET MAY – if supported - perform SET Based position fixes (autonomous GPS or SET Based A-GPS where the SET has current assistance data) and/or, if allowed by the H-SLP, enhanced cell/sector measurements. In the case of batch reporting, and if explicitly allowed by the H-SLP, enhanced cell/sector measurements are permitted even when the SET can communicate with the H-SLP.
- S. This step is optional and is executed if batch reporting is used and if any of the conditions for sending batch reports have occurred. It is also executed, once the SET is able to re-establish communication with the H-SLP, if quasi-real time reporting is used if one or more previous reports have been missed. The SET sends the stored position estimates and/or, if allowed, the stored enhanced cell/sector measurements in an unsolicited SUPL REPORT message to the H-SLC. The SUPL REPORT message contains the session-id and the position result(s) including date and time information for each position result and optionally the position method used. In the case of batch reporting, the stored position estimates and/or enhanced cell/sector measurements included in the SUPL REPORT

message may be chosen according to criteria received in step H. If no criteria are received in step H, the SET shall include all stored position estimates and/or enhanced cell/sector measurements not previously reported.

- T. This step is optional: if the SUPL REPORT message in step S contained enhanced cell/sector measurements and the H-SPC is required to translate the received enhanced cell/sector measurements into position estimates, the H-SLC sends a PLREQ message to the H-SPC. The PLREQ message contains the session-id2 and the enhanced cell/sector measurements received in step S.
- U. This step is conditional and only used if step T occurred: the H-SPC returns the calculated position estimates to the H-SLC in a PLRES message. PLRES contains session-id2 and the position results.
- V. The H-SLP forwards the reported and/or calculated position estimate(s) to the SUPL Agent in an MLP TLREP message.

Steps J to V are repeated as applicable. When the last position estimate needs to be calculated i.e. the end of the periodic triggered session has been reached, steps W to CC may be performed (a repeat of steps J to P). Alternatively - and if applicable - step R is repeated.

- DD. This step is optional. When real-time reporting is used, it is executed after the last position estimate or, if allowed, last set of enhanced cell/sector measurements has been obtained or was due. When batch or quasi real-time reporting is used, step DD is executed if and as soon as the following conditions apply:
  - i. The SET has stored historic location reports and/or stored historic enhanced cell/sector measurements that have not yet been sent to the H-SLC.
  - ii. The SET is able to establish communication with the H-SLP.
  - iii. In the case of batch reporting, the conditions for sending have arisen or the SET has obtained the last fix according to the number of fixes (in which case an incomplete batch of positions is sent).

The SUPL REPORT message is used to send all or a subset of stored position fixes and/or stored enhanced cell/sector measurements not previously reported to the H-SLC. In the case of batch reporting, the stored position estimates and/or stored enhanced cell/sector measurements included in the SUPL REPORT message may be chosen according to criteria received in step H. If no criteria are received in step H, the SET shall include all stored position estimates and/or stored enhanced cell/sector measurements not previously reported.

- EE. This step is optional: if the SUPL REPORT message in step DD contained enhanced cell/sector measurements and the H-SPC is required to translate the received enhanced cell/sector measurements into position estimates, the H-SLC sends a PLREQ message to the H-SPC. The PLREQ message contains the session-id2 and the enhanced cell/sector measurements received in step DD.
- FF. This step is conditional and only used if step EE occurred: the H-SPC returns the calculated position estimates to the H-SLC in a PLRES message. PLRES contains session-id2 and the position results.
- GG. The H-SLP forwards the reported and/or calculated historical position estimate(s) to the SUPL Agent in an MLP TLREP message. As an option (e.g. if the SUPL Agent is not available), the H-SLP could retain the historic position fixes for later retrieval by the SUPL Agent.
- HH. After the last position result has been reported to the SUPL Agent in step GG or following some timeout on not receiving stored position estimates in step DD, the H-SLC informs the H-SPC about the end of the periodic triggered session by sending a PEND message. PEND contains session-id2.
- II. The H-SLC ends the periodic triggered session by sending a SUPL END message to the SET.

## 6.1.2 Roaming with V-SLP Positioning Successful Case

SUPL Roaming where the V-SLP is involved in the position calculation.

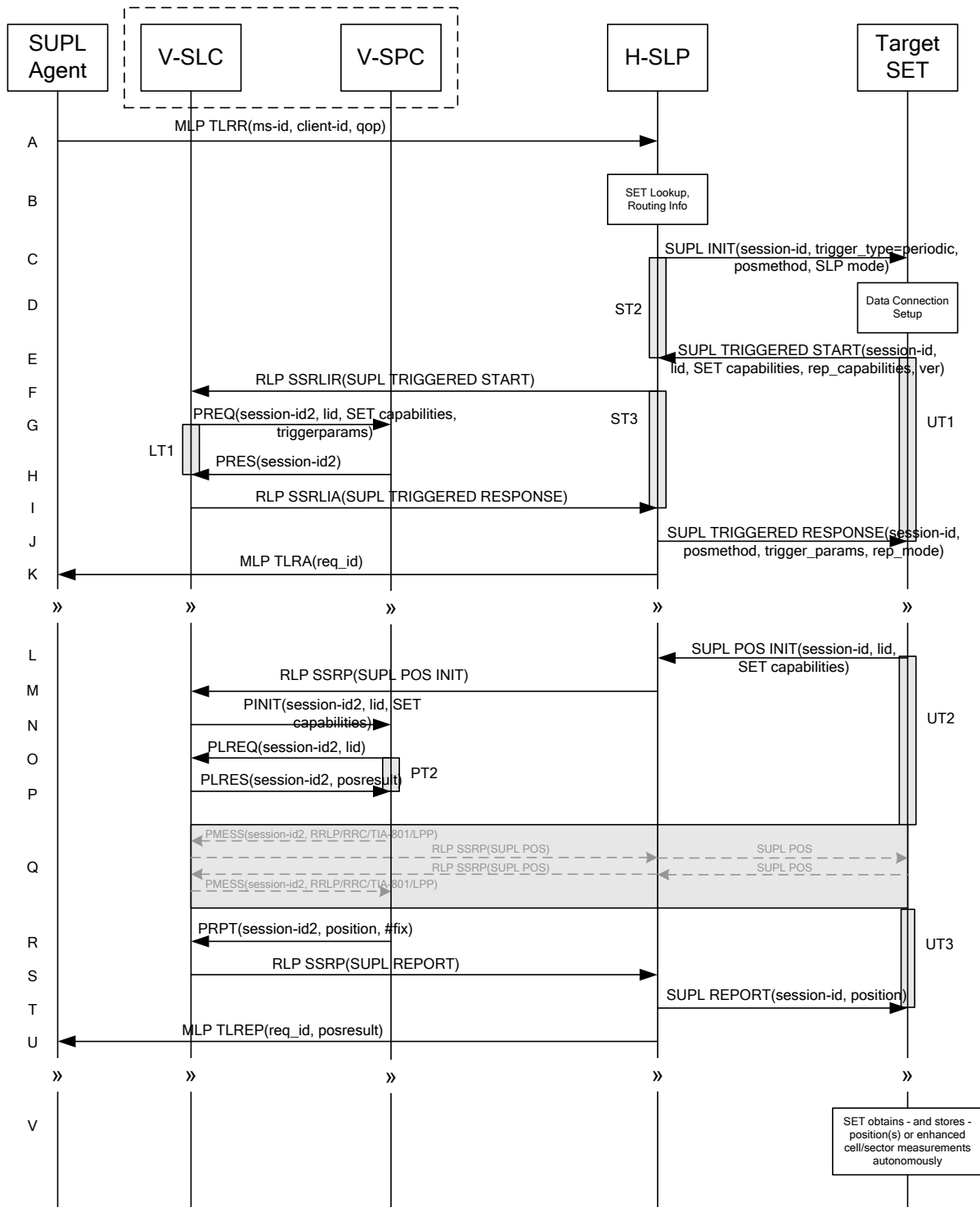
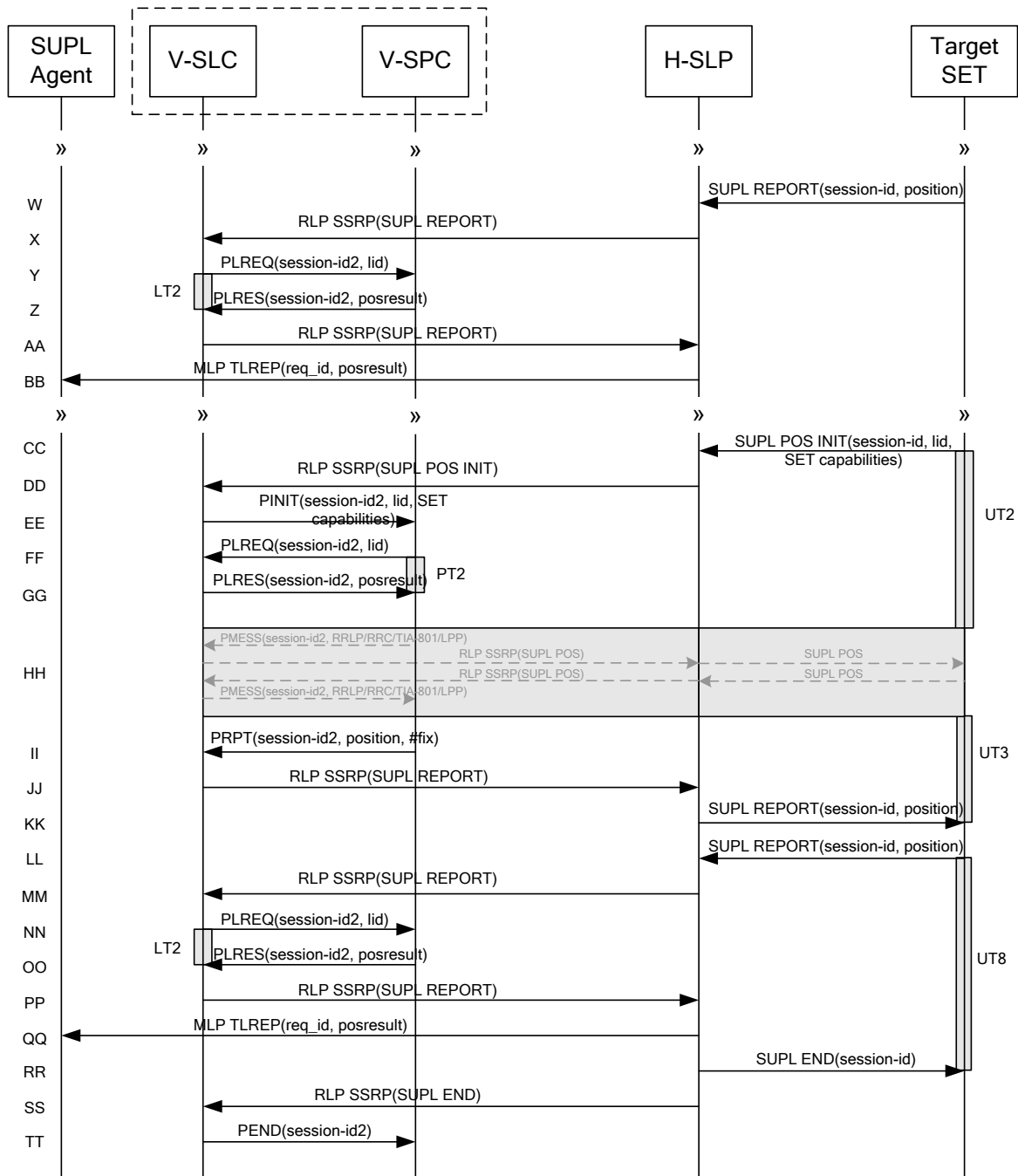


Figure 27: Network Initiated Periodic Trigger Service Roaming Successful Case – Proxy with V-SLP positioning (Part I)



**Figure 28: Network Initiated Periodic Trigger Service Roaming Successful Case – Proxy with V-SLP positioning (Part II)**

NOTE 1: See Appendix C for timer descriptions.

- A. SUPL Agent issues an MLP TLRR message to the H-SLP, with which SUPL Agent is associated. The H-SLP shall authenticate the SUPL Agent and check if the SUPL Agent is authorized for the service it requests, based on the client-id received. Further, based on the received ms-id the H-SLP shall apply subscriber privacy against the client-id. The TLRR message may indicate that batch reporting or quasi-real time reporting is to be used instead of real time reporting. In the case of batch reporting, the TLRR indicates the conditions for sending batch reports to the H-SLP and any criteria, when the conditions for sending arise, for including or excluding particular stored position estimates (e.g. QoP, time window).



- B. The H-SLP verifies that the target SET is currently SUPL Roaming.  
The H-SLP MAY also verify that the target SET supports SUPL.

NOTE 2: The specifics for determining if the SET is SUPL Roaming or not is considered outside the scope of SUPL.  
However, there are various environment dependent mechanisms.

NOTE 3: Alternatively, the H-SLP may determine whether the SET is SUPL Roaming in a later step using the location identifier (lid) received from the SET.

NOTE 4: The specifics for determining if the SET supports SUPL are beyond SUPL 2.1 scope.

- C. The H-SLP initiates the periodic trigger session with the SET using the SUPL INIT message. The SUPL INIT message contains at least session-id, trigger type indicator (in this case periodic), proxy/non-proxy mode indicator and the intended positioning method. If the result of the privacy check in Step A indicates that notification or verification to the target subscriber is needed, the H-SLP SHALL also include the Notification element in the SUPL INIT message. Before the SUPL INIT message is sent, the H-SLP also computes and stores a hash of the message.
- D. The SET analyses the received SUPL INIT. If it is found to be non authentic, the SET takes no further action. Otherwise the SET takes needed action preparing for establishment or resumption of a secure connection.
- E. The SET will evaluate the Notification rules and follow the appropriate actions. The SET also checks the proxy/non-proxy mode indicator to determine if the H-SLP uses proxy or non-proxy mode. In this case, proxy mode is used, and the SET SHALL establish a secure connection to the H-SLP using SLP address that has been provisioned by the Home Network to the SET.  
The SET then sends a SUPL TRIGGERED START message to start a periodic triggered session with the H-SLP. The SET SHALL send the SUPL TRIGGERED START message even if the SET supported positioning technologies do not include the intended positioning method indicated in the SUPL INIT message. The SUPL TRIGGERED START message contains at least session-id, SET capabilities, a hash of the received SUPL INIT message (ver), and Location ID (lid) and reporting capabilities (rep\_capabilities). The SET capabilities include the supported positioning methods (e.g., SET-Assisted A-GPS, SET-Based A-GPS) and associated positioning protocols (e.g., RRLP, RRC, TIA-801 or LPP/LPPe). The rep\_capabilities parameter indicates whether the SET is capable of batch reporting, real time reporting and/or quasi-real time reporting.
- F. Based on the received lid or other mechanisms, the H-SLP determines the V-SLP and sends an RLP SSRLIR including the SUPL TRIGGERED START message to the V-SLC to inform the V-SLC that the target SET will initiate a SUPL positioning procedure.
- G. The V-SLC requests service from the V-SPC for a periodic triggered SUPL session by sending a PREQ message containing the session-id2, the SET capabilities, the triggerparams and the lid. The PREQ MAY optionally contain the QoS. The V-SLC MAY include its approved positioning methods for this session. If the approved positioning methods are not included, the V-SPC SHALL assume that all its available positioning methods have been approved.
- H. The V-SPC accepts the service request for a SUPL session from the V-SLC with a PRES message containing the session-id2. The V-SPC MAY include a preferred positioning method in the PRES. The V-SPC MAY include its supported positioning methods in the PRES.
- I. Consistent with the SET capabilities received in step F, the V-SLC determines a posmethod to be used for the periodic triggered session. If the V-SPC included a list of supported posmethods in step H, the chosen posmethod SHALL be on this list. The V-SLC indicates its readiness for a periodic triggered session by sending a SUPL TRIGGERED RESPONSE message back to the H-SLP in a RLP SSRLIA message.
- J. The H-SLP forwards the received SUPL TRIGGERED RESPONSE message to the SET including session-id, posmethod and periodic trigger parameters. Consistent with the rep\_capabilities of the SET, the H-SLP also indicates the reporting mode (rep\_mode parameter) to be used by the SET: real time reporting, quasi-real time reporting or batch reporting. In the case of batch reporting, the SUPL TRIGGERED RESPONSE message indicates the conditions for sending batch reports to the H-SLP and any criteria, when the conditions for sending arise, for including or excluding particular stored position estimates and/or (if allowed) particular stored enhanced cell/sector measurements. In the case of quasi-real time reporting, the SUPL TRIGGERED RESPONSE message indicates whether the SET is allowed to send enhanced cell/sector measurements in lieu of or in addition to position estimates.

If enhanced cell/sector positioning was selected for batch or quasi-real time reporting, the SUPL TRIGGERED RESPONSE message indicates if the SET is permitted to send stored enhanced cell/sector measurements. In this case, if batch reporting was selected, the SET MAY skip steps L to Q.

- K. The H-SLP informs the SUPL Agent in an MLP TLRA message that the triggered location response request has been accepted and also includes a req\_id parameter to be used as a transaction id for the entire duration of the periodic triggered session. The SET and the H-SLP MAY release the secure connection.

NOTE 5: The MLP TLRA may be sent earlier at any time after the H-SLP receives the MLP TLRR.

- L. When the periodic trigger in the SET indicates that a position fix has to be performed, the SET takes appropriate action establishing or resuming a secure connection. The SET then sends a SUPL POS INIT message to the H-SLP to start a positioning session with the V-SLP. The SUPL POS INIT message contains at least session-id and the Location ID (lid). The SET MAY provide NMR specific for the radio technology being used (e.g., for GSM: TA, RXLEV). The SET MAY provide its position, if this is supported. The SET MAY set the Requested Assistance Data element in the SUPL POS INIT.  
If the SUPL POS INIT message contains a position that meets the required QoP, the H-SLP MAY directly proceed to step T.
- M. The H-SLP forwards the SUPL POS INIT message to the V-SLC using a RLP SSRP message.  
If a position calculated based on information received in the SUPL POS INIT message is available (e.g. a cell-id based position fix) that meets the required QoP, the V-SLC MAY directly proceed to step S and not engage in a SUPL POS session.
- N. The V-SLC sends a PINIT message to the V-SPC including session-id2, location id and SET capabilities. The V-SLC MAY include a posmethod in the PINIT. This posmethod may either be the posmethod recommended by the V-SPC in step H, or a different posmethod of the V-SLC's choosing, as long as it is one supported by the V-SPC. Based on the PINIT message including the SET capabilities, the V-SPC SHALL determine the posmethod. If a posmethod has been included in the PINIT by the V-SLC, the V-SPC SHALL use that posmethod, unless it does not meet the SET capabilities. If no posmethod parameter was included in the PINIT, the V-SPC shall choose any posmethod in line with the SET capabilities, which was approved by the V-SLC in step G. If a coarse position calculated based on information received in the PINIT message is available that meets the required QoP, the V-SPC MAY directly proceed to step R and not engage in a SUPL POS session.
- O. If the V-SPC cannot translate the lid received in step N into a coarse position, the V-SPC sends a PLREQ message to the V-SLC. The PLREQ message contains the session-id2 and the lid. This step is optional and not required if the V-SPC can perform the translation from lid into coarse position itself.
- P. This step is conditional and only occurs if step O was performed. The V-SLC reports the coarse position result back to the V-SPC in a PLRES message. PLRES contains the session-id2 and the posresult. If the coarse position meets the required QoP, the V-SPC MAY directly proceed to step R and not engage in a SUPL POS session.
- Q. The SET and the V-SPC exchange several successive positioning procedure messages. Thereby the positioning procedure payload (RRLP/RRC/TIA-801/LPP/LPPe) is transferred between the V-SPC and the V-SLC using PMESS messages. PMESS includes the session-id2 and the positioning procedure payload (RRLP/RRC/TIA-801/LPP/LPPe). The positioning procedure payload (RRLP/RRC/TIA-801/LPP/LPPe) is transferred between the V-SLC and the H-SLC using SUPL POS over RLP tunnel messages. The positioning procedure payload (RRLP/RRC/TIA-801/LPP/LPPe) is transferred between the H-SLC and the SET using SUPL POS messages. The flow sequence PMESS – RLP SSRP (SUPL POS) – SUPL POS – SUPL POS – RLP SSRP(SUPL POS) – PMESS is conceptually shown in dotted lines.  
The V-SPC calculates the position estimate based on the received positioning measurements (SET-Assisted) or the SET calculates the position estimate based on assistance obtained from the V-SPC (SET-Based).
- R. Once the position calculation is complete, the V-SPC sends a PRPT message to the V-SLC. PRPT contains the session-id2, the position result if calculated in V-SPC and the number of the fix.
- S. Once the position calculation is complete, the V-SLC sends a SUPL REPORT message including the position to the H-SLP in an RLP tunnel using an SSRP message.

- T. Once the position calculation is complete the H-SLP sends the SUPL REPORT message to the SET informing it that the positioning procedure is completed. The SET MAY release the secure connection to the H-SLP. If the reporting mode is batch reporting, the SET stores all calculated position estimates. In SET Assisted mode the position is calculated by the V-SLP and therefore needs to be included in the message for batch reporting mode.

If a SET Based positioning method was chosen which allows the SET to autonomously calculate a position estimate (e.g. autonomous GPS or A-GPS SET Based mode where the SET has current GPS assistance data and does not require an assistance data update from the H-SLP) steps L to T are not performed. Instead, the SET autonomously calculates the position estimate and – for real time or quasi-real time reporting – sends the calculated position estimate to the H-SLP using a SUPL REPORT message containing the session-id and the position estimate.

- U. This step is optional: once the position calculation is complete and if real time or quasi-real time reporting is used, the H-SLP forwards the received position estimate from the V-SLC in an MLP TLREP message to the SUPL Agent. The MLP TLREP message includes the req\_id and the position result. If the reporting mode is set to batch reporting, this message is not used.
- V. This step is optional: if the SET cannot communicate with the H-SLP (e.g. no radio coverage available) quasi-real time reporting is used or if batch reporting is used, the SET MAY – if supported – perform SET Based position fixes (autonomous GPS or SET Based A-GPS where the SET has current assistance data) and/or, if allowed by the H-SLP, enhanced cell/sector measurements. In the case of batch reporting, and if explicitly allowed by the H-SLP, enhanced cell/sector measurements are permitted even when the SET can communicate with the H-SLP.
- W. This step is optional and is executed if batch reporting is used and if any of the conditions for sending batch reports have occurred. It is also executed, once the SET is able to re-establish communication with the H-SLP, if quasi-real time reporting is used if one or more previous reports have been missed. The SET sends the stored position estimates and/or, if allowed, the stored enhanced cell/sector measurements in an unsolicited SUPL REPORT message to the H-SLP. The SUPL REPORT message contains the session-id and the position result(s) including data and time information for each position result and optionally the position method used. In the case of batch reporting, the stored position estimates and/or enhanced cell/sector measurements included in the SUPL REPORT message may be chosen according to criteria received in step J. If no criteria are received in step J, the SET shall include all stored position estimates and/or enhanced cell/sector measurements not previously reported.
- X. This step is optional: if in step W the SET sent enhanced cell/sector measurements, the H-SLP needs to engage the help of the V-SLP to translate the enhanced cell/sector measurements into actual position estimates. To this end the H-SLP sends the received enhanced cell/sector measurements in a SUPL REPORT message to the V-SLC using an SSRP message over RLP tunnel.
- Y. This step is optional: if the SUPL REPORT message in step X contained enhanced cell/sector measurements and the V-SPC is required to translate the received enhanced cell/sector measurements into position estimates, the V-SLC sends a PLREQ message to the V-SPC. The PLREQ message contains the session-id2 and the enhanced cell/sector measurements received in step X.
- Z. This step is conditional and only used if step Y occurred: the V-SPC returns the calculated position estimates to the V-SLC in a PLRES message. PLRES contains session-id2 and the position results.
- AA. This step is optional: if in step X the V-SLC received enhanced cell/sector measurements, the results of the translation into position estimate need to be returned to the H-SLP. To this end a SUPL REPORT message is sent to the H-SLP. The SUPL REPORT message is carried within an SSRP message over RLP tunnel.
- BB. The H-SLP forwards the reported and/or calculated position estimate(s) to the SUPL Agent in an MLP TLREP message.

Steps L to BB are repeated as applicable. When the last position estimate needs to be calculated i.e. the end of the periodic triggered session has been reached, steps CC to KK may be performed (a repeat of steps L to T). Alternatively – and if applicable – step V is repeated.

- LL. This step is optional. When real-time reporting is used, it is executed after the last position estimate or, if allowed, last set of enhanced cell/sector measurements has been obtained or was due. When batch or quasi real-time reporting is used, step LL is executed if and as soon as the following conditions apply:

- i. The SET has stored historic location reports and/or stored historic enhanced cell/sector measurements that have not yet been sent to the H-SLP.
- ii. The SET is able to establish communication with the H-SLP.
- iii. In the case of batch reporting, the conditions for sending have arisen or the SET has obtained the last fix according to the number of fixes (in which case an incomplete batch of positions is sent).

The SUPL REPORT message is used to send all or a subset of stored position fixes and/or stored enhanced cell/sector measurements not previously reported to the H-SLP. In the case of batch reporting, the stored position estimates and/or stored enhanced cell/sector measurements included in the SUPL REPORT message may be chosen according to criteria received in step J. If no criteria are received in step J, the SET shall include all stored position estimates and/or stored enhanced cell/sector measurements not previously reported.

MM. This step is optional: if in step LL the SET sent enhanced cell/sector measurements, the H-SLP needs to engage the help of the V-SLP to translate the enhanced cell/sector measurements into actual position estimates. To this end the H-SLP sends the received enhanced cell/sector measurements in a SUPL REPORT message to the V-SLC using an SSRP message over RLP tunnel.

NN. This step is optional: if the SUPL REPORT message in step MM contained enhanced cell/sector measurements and the V-SPC is required to translate the received enhanced cell/sector measurements into position estimates, the V-SLC sends a PLREQ message to the V-SPC. The PLREQ message contains the session-id2 and the enhanced cell/sector measurements received in step MM.

OO. This step is conditional and only used if step NN occurred: the V-SPC returns the calculated position estimates to the V-SLC in a PLRES message. PLRES contains session-id2 and the position results.

PP. This step is optional: if in step MM the V-SLC received enhanced cell/sector measurements, the results of the translation into position estimate need to be returned to the H-SLP. To this end a SUPL REPORT message is sent to the H-SLP. The SUPL REPORT message is carried within an SSRP message over RLP tunnel.

QQ. The H-SLP forwards the reported and/or calculated historical position estimate(s) to the SUPL Agent in an MLP TLREP message. As an option (e.g. if the SUPL Agent is not available), the H-SLP could retain the historic position fixes for later retrieval by the SUPL Agent.

RR. After the last position result has been reported to the SUPL Agent in step QQ, or following some timeout on not receiving stored position estimates in step LL, the H-SLP ends the periodic triggered session by sending a SUPL END message to the SET.

SS. The H-SLP informs the V-SLC about the end of the periodic triggered session by sending a SUPL END message using an RLP SSRP tunnel message.

TT. The V-SLC ends the periodic triggered session with the V-SPC by sending a PEND message. PEND contains the session-id2.

### 6.1.3 Roaming with H-SLP Positioning Successful Case

SUPL Roaming where the H-SLP is involved in the position calculation.

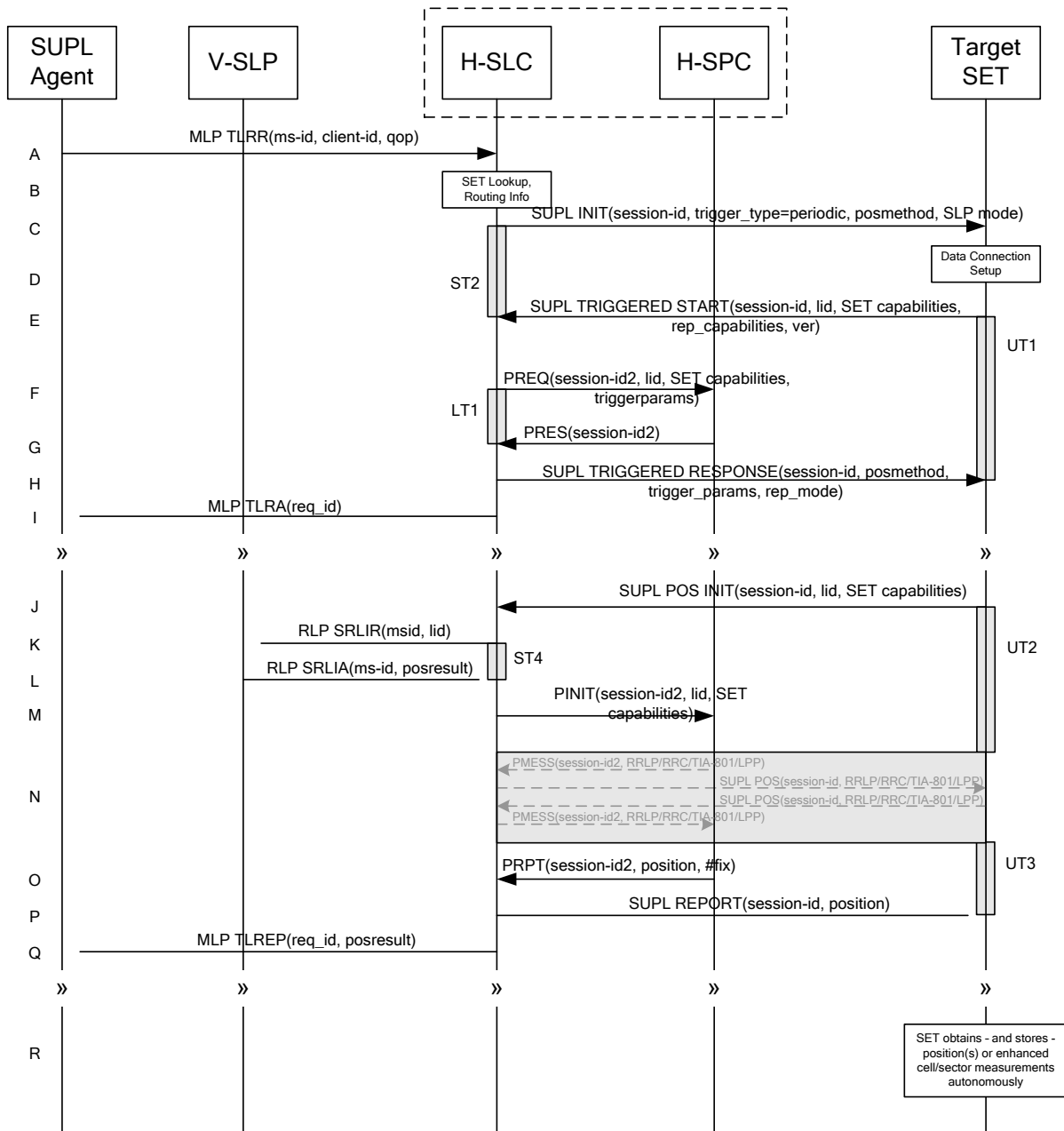
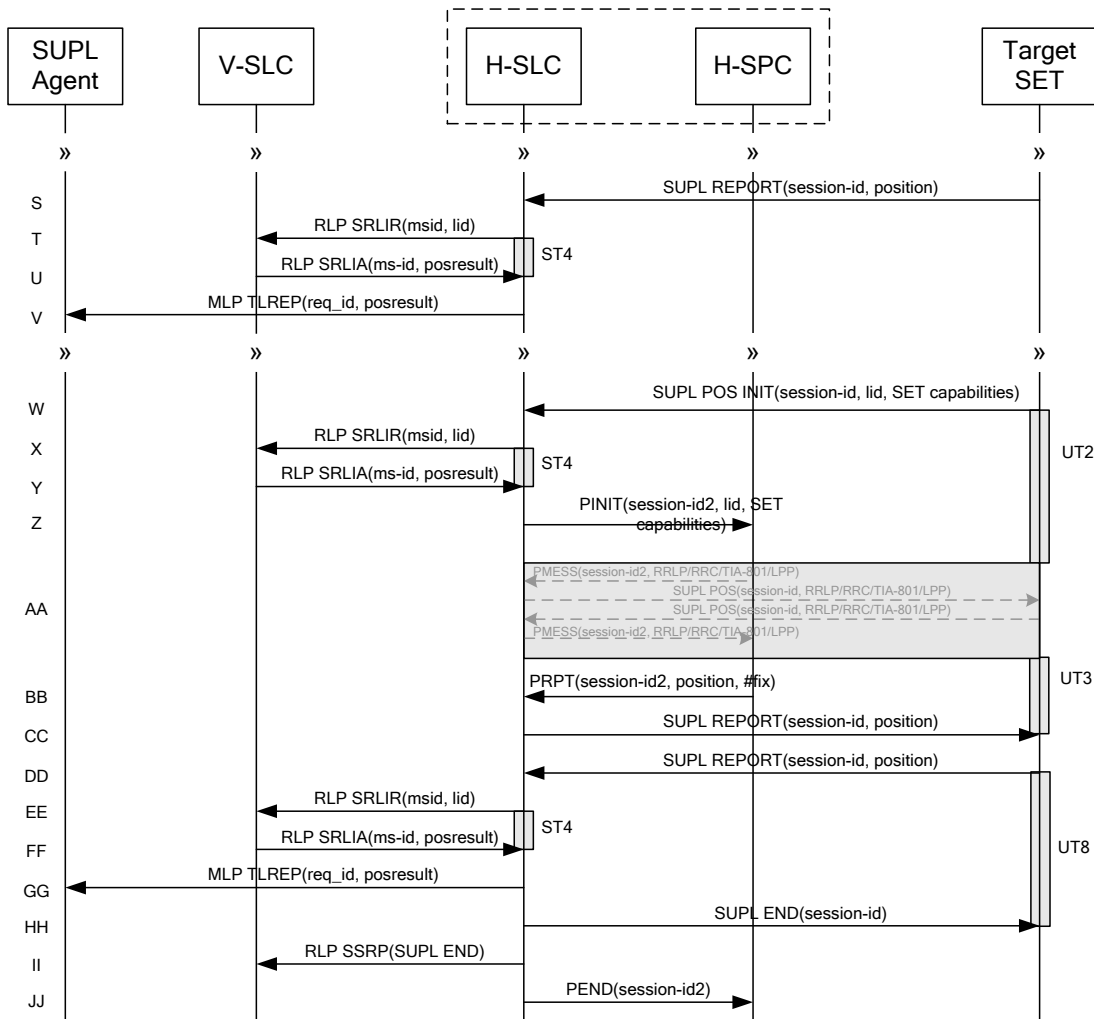


Figure 29: Network Initiated Periodic Trigger Service Roaming Successful Case – Proxy with H-SLP positioning (Part I)



**Figure 30: Network Initiated Periodic Trigger Service Roaming Successful Case – Proxy with H-SLP positioning (Part II)**

NOTE 1: See Appendix C for timer descriptions.

- A. SUPL Agent issues an MLP TLRR message to the H-SLP, with which SUPL Agent is associated. The H-SLP shall authenticate the SUPL Agent and check if the SUPL Agent is authorized for the service it requests, based on the client-id received. Further, based on the received ms-id the H-SLP shall apply subscriber privacy against the client-id. The TLRR message may indicate that batch reporting or quasi-real time reporting is to be used instead of real time reporting. In the case of batch reporting, the TLRR indicates the conditions for sending batch reports to the H-SLP and any criteria, when the conditions for sending arise, for including or excluding particular stored position estimates (e.g. QoP, time window).
- B. The H-SLP verifies that the target SET is currently SUPL Roaming. The H-SLP MAY also verify that the target SET supports SUPL.

NOTE 2: The specifics for determining if the SET is SUPL Roaming or not is considered outside the scope of SUPL. However, there are various environment dependent mechanisms.

NOTE 3: Alternatively, the H-SLP may determine whether the SET is SUPL Roaming in a later step using the location identifier (lid) received from the SET.

NOTE 4: The specifics for determining if the SET supports SUPL are beyond SUPL 2.1 scope.

- C. The H-SLP initiates the periodic trigger session with the SET using the SUPL INIT message. The SUPL INIT message contains at least session-id, trigger type indicator (in this case periodic), proxy/non-proxy mode indicator and the intended positioning method. If the result of the privacy check in Step A indicates that notification or verification to the target subscriber is needed, the H-SLP SHALL also include the Notification element in the SUPL INIT message. Before the SUPL INIT message is sent, the H-SLP also computes and stores a hash of the message.
- D. The SET analyses the received SUPL INIT. If it is found to be non authentic, the SET takes no further action. Otherwise the SET takes needed action preparing for establishment or resumption of a secure connection.
- E. The SET will evaluate the Notification rules and follow the appropriate actions. The SET also checks the proxy/non-proxy mode indicator to determine if the H-SLP uses proxy or non-proxy mode. In this case, proxy mode is used, and the SET SHALL establish a secure connection to the H-SLP using SLP address that has been provisioned by the Home Network to the SET.  
The SET then sends a SUPL TRIGGERED START message to start a periodic triggered session with the H-SLP. The SET SHALL send the SUPL TRIGGERED START message even if the SET supported positioning technologies do not include the intended positioning method indicated in the SUPL INIT message. The SUPL TRIGGERED START message contains at least session-id, SET capabilities, a hash of the received SUPL INIT message (ver), and Location ID (lid) and reporting capabilities (rep\_capabilities). The SET capabilities include the supported positioning methods (e.g., SET-Assisted A-GPS, SET-Based A-GPS) and associated positioning protocols (e.g., RRLP, RCC, TIA-801 or LPP/LPPe). The rep\_capabilities parameter indicates whether the SET is capable of batch reporting, real-time reporting and/or quasi-real time reporting.
- F. The H-SLC requests service from the H-SPC for a periodic triggered SUPL session by sending a PREQ message containing the session-id2, the SET capabilities, the triggerparams and the lid. The PREQ MAY optionally contain the QoP. The H-SLC MAY include its approved positioning methods for this session. If the approved positioning methods are not included, the H-SPC SHALL assume that all its available positioning methods have been approved.
- G. The H-SPC accepts the service request for a SUPL session from the H-SLC with a PRES message containing the session-id2. The H-SPC MAY include a preferred positioning method in the PRES. The H-SPC MAY include its supported positioning methods in the PRES.
- H. Consistent with the SET capabilities received in step E. the H-SLC determines a posmethod to be used for the periodic triggered session. If the H-SPC included a list of supported posmethods in step G, the chosen posmethod SHALL be on this list. The H-SLC indicates its readiness for a periodic triggered session by sending a SUPL TRIGGERED RESPONSE message back to the SET. The SUPL TRIGGERED RESPONSE message to the SET includes at a minimum the session-id, posmethod and periodic trigger parameters. Consistent with the rep\_capabilities of the SET, the H-SLC also indicates the reporting mode (rep\_mode parameter) to be used by the SET: real time reporting, quasi-real time reporting or batch reporting. In the case of batch reporting, the SUPL TRIGGERED RESPONSE message indicates the conditions for sending batch reports to the H-SLC and any criteria, when the conditions for sending arise, for including or excluding particular stored position estimates and/or (if allowed) particular stored enhanced cell/sector measurements. In the case of quasi-real time reporting, the SUPL TRIGGERED RESPONSE message indicates whether the SET is allowed to send enhanced cell/sector measurements in lieu of or in addition to position estimates. If enhanced cell/sector positioning was selected for batch or quasi-real time reporting, the SUPL TRIGGERED RESPONSE message indicates if the SET is permitted to send stored enhanced cell/sector measurements. In this case, if batch reporting was selected, the SET MAY skip steps J to N.
- I. The H-SLC informs the SUPL Agent in an MLP TLRA message that the triggered location response request has been accepted and also includes a req\_id parameter to be used as a transaction id for the entire duration of the periodic triggered session. The SET and the H-SLP MAY release the secure connection.

NOTE 5: The MLP TLRA may be sent earlier at any time after the H-SLP receives the MLP TLRR.

- J. When the periodic trigger in the SET indicates that a position fix has to be performed, the SET takes appropriate action establishing or resuming a secure connection. The SET then sends a SUPL POS INIT message to the H-SLC to start a positioning session with the H-SLP. The SUPL POS INIT message contains at least session-id and the Location ID (lid). The SET MAY provide NMR specific for the radio technology being used (e.g., for GSM: TA, RXLEV). The SET MAY provide its position, if this is supported. The SET MAY set the Requested Assistance Data element in the SUPL POS INIT.

If the SUPL POS INIT message contains a position that meets the required QoP, the H-SLC MAY directly proceed to step P and not engage in a SUPL POS session.

- K. To obtain a coarse position based on lid received in step J, the H-SLC sends an RLP SRLIR message to the V-SLP.
- L. The V-SLP translates the received lid into a position estimate and returns the result to the H-SLC in an RLP SRLIA message.  
If a position calculated based on information received in the SUPL POS INIT message is available (e.g. a cell-id based position fix) that meets the required QoP, the H-SLC MAY directly proceed to step P and not engage in a SUPL POS session.
- M. The H-SLC sends a PINIT message to the H-SPC including session-id2, location id, SET capabilities and position estimate (i.e. coarse position received from the V-SLC in the previous step). The H-SLC MAY include a posmethod in the PINIT. This posmethod may either be the posmethod recommended by the H-SPC in step G, or a different posmethod of the H-SLC's choosing, as long as it is one supported by the H-SPC. Based on the PINIT message including the SET capabilities, the H-SPC SHALL determine the posmethod. If a posmethod has been included in the PINIT by the H-SLC, the H-SPC SHALL use that posmethod, unless it does not meet the SET capabilities. If no posmethod parameter was included in the PINIT, the H-SPC shall choose any posmethod in line with the SET capabilities, which was approved by the H-SLC in step F.
- N. The SET and the H-SPC exchange several successive positioning procedure messages. Thereby the positioning procedure payload (RRLP/RRC/TIA-801/LPP/LPPE) is transferred between the H-SPC and the H-SLC using PMESS messages. PMESS includes the session-id2 and the positioning procedure payload (RRLP/RRC/TIA-801/LPP/LPPE). The positioning procedure payload (RRLP/RRC/TIA-801/LPP/LPPE) is transferred between the H-SLC and the SET using SUPL POS messages (the PMESS – SUPL POS – SUPL POS – PMESS message exchange is conceptually shown in dotted lines).  
The H-SPC calculates the position estimate based on the received positioning measurements (SET-Assisted) or the SET calculates the position estimate based on assistance obtained from the H-SPC (SET-Based).
- O. Once the position calculation is complete, the H-SPC sends a PRPT message to the H-SLC. PRPT contains the session-id2, the position result if calculated in H-SPC and the number of the fix.
- P. Once the position calculation is complete the H-SLP sends the SUPL REPORT message to the SET informing it that the positioning procedure is completed. The SET MAY release the secure connection to the H-SLP. If the reporting mode is batch reporting, the SET stores all calculated position estimates. In SET Assisted mode the position is calculated by the H-SLP and therefore needs to be included in the message for batch reporting mode.

If a SET Based positioning method was chosen which allows the SET to autonomously calculate a position estimate (e.g. autonomous GPS or A-GPS SET Based mode where the SET has current GPS assistance data and does not require an assistance data update from the H-SLP) steps J to P are not performed. Instead, the SET autonomously calculates the position estimate and – for real time or quasi-real time reporting – sends the calculated position estimate to the H-SLP using a SUPL REPORT message containing the session-id and the position estimate.

- Q. This step is optional: once the position calculation is complete and if real time or quasi-real time reporting is used the H-SLP sends the calculated position estimate to the SUPL Agent in an MLP TLREP message to the SUPL Agent. The MLP TLREP message includes the req\_id and the position result. If the reporting mode is set to batch reporting, this message is not used.
- R. This step is optional: if the SET cannot communicate with the H-SLP (e.g. no radio coverage available) and quasi-real time reporting is used or if batch reporting is used, the SET MAY – if supported – perform SET Based position fixes (autonomous GPS or SET Based A-GPS where the SET has current assistance data) and/or, if allowed by the H-SLP, enhanced cell/sector measurements. In the case of batch reporting, and if explicitly allowed by the H-SLP, enhanced cell/sector measurements are permitted even when the SET can communicate with the H-SLP.
- S. This step is optional and is executed if batch reporting is used and if any of the conditions for sending batch reports have occurred. It is also executed, once the SET is able to re-establish communication with the H-SLP, if quasi-real time reporting is used if one or more previous reports have been missed. The SET sends the stored position estimates and/or, if allowed, the stored enhanced cell/sector measurements in an unsolicited SUPL REPORT message to the H-SLC. The SUPL REPORT message contains the session-id and the position result(s) including



data and time information for each position result and optionally the position method used. In the case of batch reporting, the stored position estimates and/or enhanced cell/sector measurements included in the SUPL REPORT message may be chosen according to criteria received in step J. If no criteria are received in step J, the SET shall include all stored position estimates and/or enhanced cell/sector measurements not previously reported.

- T. This step is optional: if in step S the SET sent enhanced cell/sector measurements, the H-SLC needs to engage the help of the V-SLP to translate the enhanced cell/sector measurements into actual position estimates. To this end the H-SLC sends an RLP SRLIR message to the V-SLP.
- U. This step is optional and only takes place if step T has occurred: The V-SLP translates the received enhanced cell/sector measurements into position estimates and returns the results to the H-SLC in an RLP SRLIA message.
- V. The H-SLC forwards the reported and/or calculated position estimate(s) to the SUPL Agent in an MLP TLREP message.

Steps J to V are repeated as applicable. When the last position estimate needs to be calculated i.e. the end of the periodic triggered session has been reached, steps W to CC may be performed (a repeat of steps J to P). Alternatively – and if applicable – step R is repeated.

- DD. This step is optional. When real-time reporting is used, it is executed after the last position estimate or, if allowed, last set of enhanced cell/sector measurements has been obtained or was due. When batch or quasi real-time reporting is used, step DD is executed if and as soon as the following conditions apply:
  - i. The SET has stored historic location reports and/or stored historic enhanced cell/sector measurements that have not yet been sent to the H-SLC.
  - ii. The SET is able to establish communication with the H-SLP.
  - iii. In the case of batch reporting, the conditions for sending have arisen or the SET has obtained the last fix according to the number of fixes (in which case an incomplete batch of positions is sent).

The SUPL REPORT message is used to send all or a subset of stored position fixes and/or stored enhanced cell/sector measurements not previously reported to the H-SLC. In the case of batch reporting, the stored position estimates and/or stored enhanced cell/sector measurements included in the SUPL REPORT message may be chosen according to criteria received in step J. If no criteria are received in step J, the SET shall include all stored position estimates and/or stored enhanced cell/sector measurements not previously reported.

- EE. This step is optional: if in step DD the SET sent enhanced cell/sector measurements, the H-SLC needs to engage the help of the V-SLP to translate the enhanced cell/sector measurements into actual position estimates. To this end the H-SLC sends an RLP SRLIR message to the V-SLP.
- FF. This step is optional and only takes place if step EE has occurred: after receiving the enhanced cell/sector measurements the V-SLP translates the received enhanced cell/sector measurements into position estimates and returns the results to the H-SLC in an RLP SRLIA message.
- GG. The H-SLC forwards the reported and/or calculated historical position estimate(s) to the SUPL Agent in an MLP TLREP message. As an option (e.g. if the SUPL Agent is not available), the H-SLC could retain the historic position fixes for later retrieval by the SUPL Agent.
- HH. After the last position result has been reported to the SUPL Agent in step GG, or following some timeout on not receiving stored position estimates in step DD, the H-SLC ends the periodic triggered session by sending a SUPL END message to the SET.
- II. The H-SLC informs the V-SLP about the end of the periodic triggered session by sending a SUPL END message using an SSRP message over RLP tunnel.
- JJ. The H-SLC informs the H-SPC about the end of the periodic triggered session in a PEND message. PEND contains session-id2.

## 6.2 Network Initiated – Non-Proxy mode

This section describes the Network Initiated Non-Proxy mode scenarios. It is assumed that the trigger resides in the SET.

The concept of the R-SLC applies as with Immediate Service but for the sake of simplicity has been omitted in this section.

### 6.2.1 Non-Roaming Successful Case

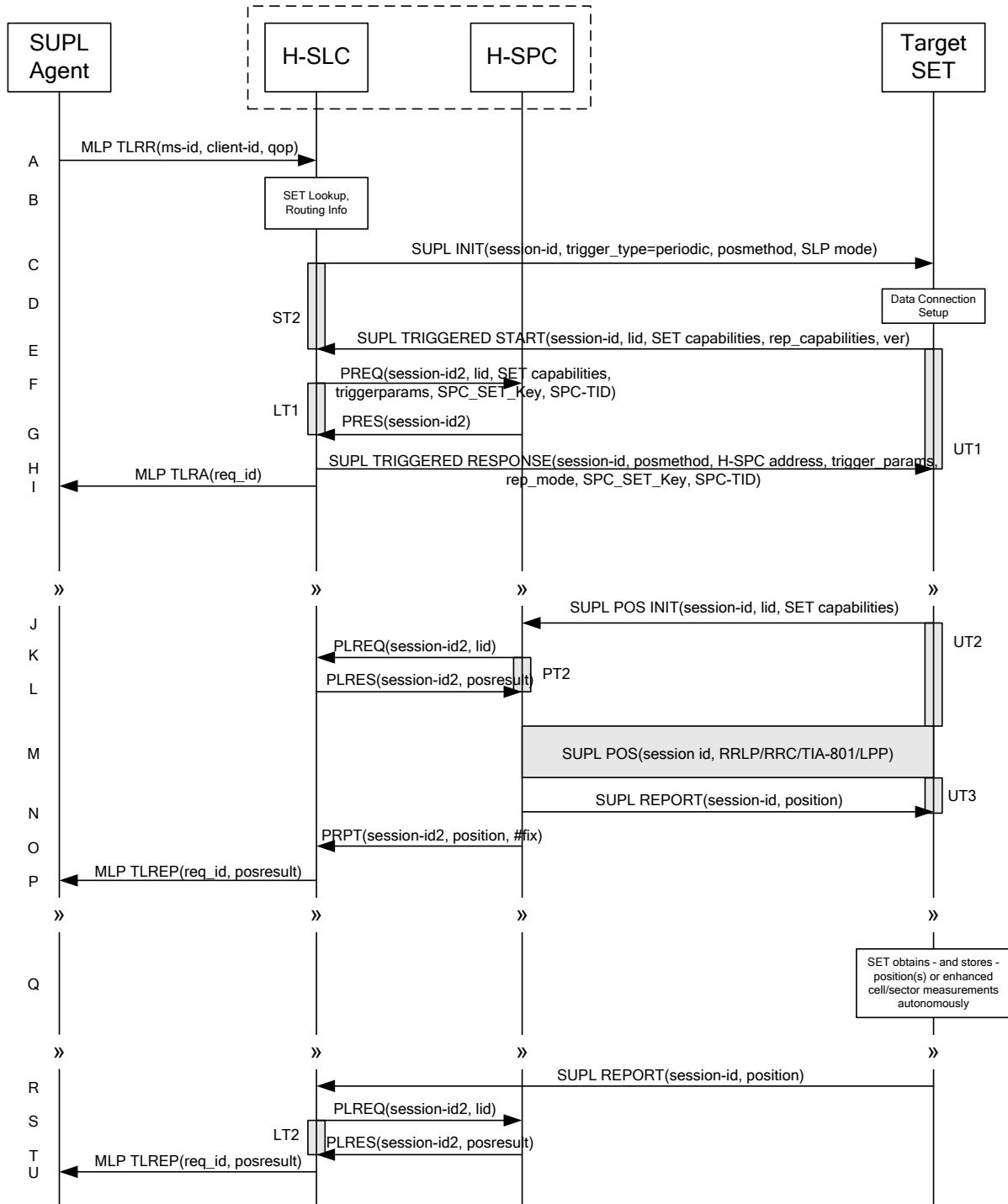
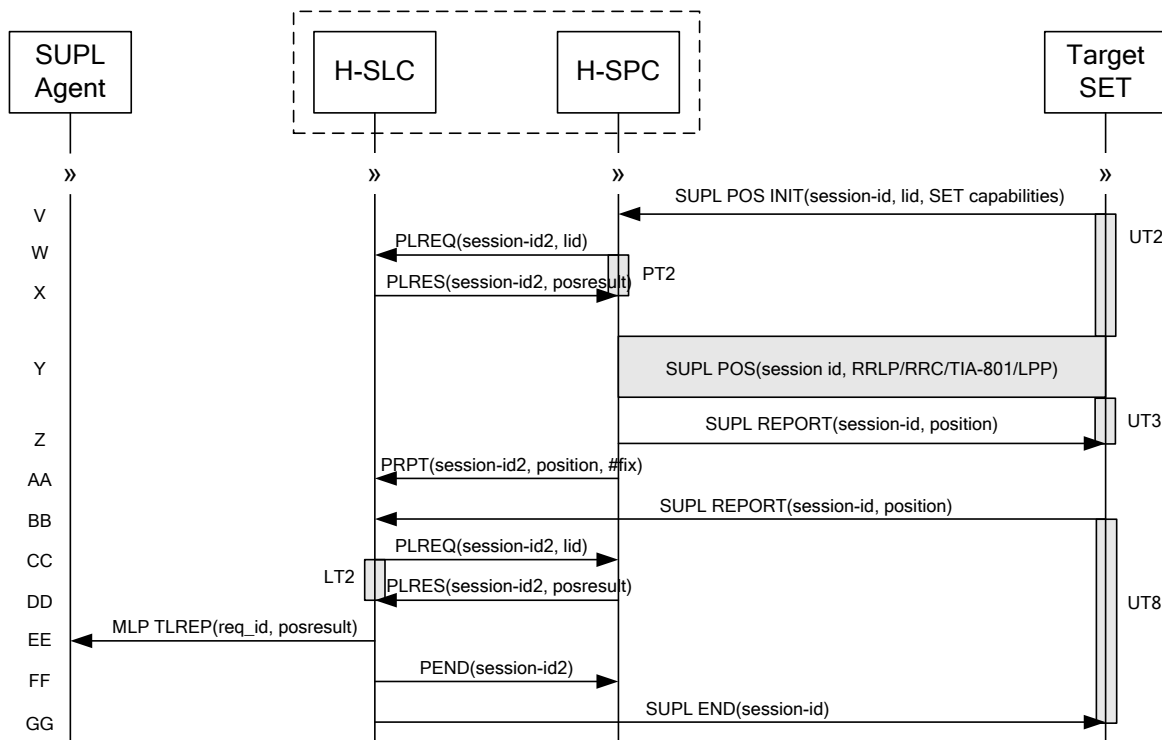


Figure 31: Network Initiated Periodic Trigger Service Non-Roaming Successful Case – Non-Proxy Mode (Part I)



**Figure 32: Network Initiated Periodic Trigger Service Non-Roaming Successful Case – Non-Proxy Mode (Part II)**

NOTE 1: See Appendix C for timer descriptions.

- A. SUPL Agent issues an MLP TLRR message to the H-SLC, with which SUPL Agent is associated. The H-SLC shall authenticate the SUPL Agent and check if the SUPL Agent is authorized for the service it requests, based on the client-id received. Further, based on the received ms-id the H-SLC shall apply subscriber privacy against the client-id. The TLRR message may indicate that batch reporting or quasi-real time reporting is to be used instead of real time reporting. In the case of batch reporting, the TLRR indicates the conditions for sending batch reports to the H-SLC and any criteria, when the conditions for sending arise, for including or excluding particular stored position estimates (e.g. QoP, time window).
- B. The H-SLC verifies that the target SET is currently not SUPL Roaming.  
The H-SLC MAY also verify that the target SET supports SUPL.

NOTE 2: The specifics for determining if the SET is SUPL Roaming or not is considered outside the scope of SUPL. However, there are various environment dependent mechanisms.

NOTE 3: Alternatively, the H-SLP may determine whether the SET is SUPL Roaming in a later step using the location identifier (lid) received from the SET.

NOTE 4: The specifics for determining if the SET supports SUPL are beyond SUPL 2.1 scope.

- C. The H-SLC initiates the periodic trigger session with the SET using the SUPL INIT message. The SUPL INIT message contains at least session-id, trigger type indicator (in this case periodic), proxy/non-proxy mode indicator and the intended positioning method. If the result of the privacy check in Step A indicates that subscriber privacy check based on current location is required, the H-SLP SHALL set notification mode to notification based on current location and SHALL NOT include the notification element in the SUPL INIT message; otherwise, the H-SLP SHALL set the notification mode indicator to normal notification and if notification or verification to the target subscriber is needed, the H-SLP SHALL also include the notification element in the SUPL INIT message. Before the SUPL INIT message is sent, the H-SLC also computes and stores a hash of the message.

- D. The SET analyses the received SUPL INIT. If it is found to be non authentic, the SET takes no further action. Otherwise the SET takes needed action preparing for establishment or resumption of a secure connection.
- E. The SET will evaluate the Notification rules and follow the appropriate actions. The SET also checks the proxy/non-proxy mode indicator to determine if the H-SLP uses proxy or non-proxy mode. In this case, non-proxy mode is used, and the SET SHALL establish a secure connection to the H-SLC using the H-SLC address which has been provisioned by the Home Network to the SET.  
The SET then sends a SUPL TRIGGERED START message to start a periodic triggered session with the H-SLP. The SET SHALL send the SUPL TRIGGERED START message even if the SET supported positioning technologies do not include the intended positioning method indicated in the SUPL INIT message. The SUPL TRIGGERED START message contains at least session-id, SET capabilities, a hash of the received SUPL INIT message (ver), and Location ID (lid) and reporting capabilities (rep\_capabilities). The SET capabilities include the supported positioning methods (e.g., SET-Assisted A-GPS, SET-Based A-GPS) and associated positioning protocols (e.g., RRLP, RRC, TIA-801 or LPP/LPPe). The rep\_capabilities parameter indicates whether the SET is capable of batch reporting, real-time reporting and/or quasi-real time reporting.
- F. The H-SLC requests service from the H-SPC for a periodic triggered SUPL session by sending a PREQ message containing the session-id2, the SET capabilities, the triggerparams and the lid. The H-SLC generates SPC\_SET\_Key and SPC-TID to be used for mutual H-SPC/SET authentication and forwards both to the H-SPC in the PREQ message. The PREQ MAY also optionally contain the QoP. The H-SLC MAY include its approved positioning methods for this session. If the approved positioning methods are not included, the H-SPC SHALL assume that all its available positioning methods have been approved.
- G. The H-SPC accepts the service request for a SUPL session from the H-SLC with a PRES message containing the session-id2. The H-SPC MAY include a preferred positioning method in the PRES. The H-SPC MAY include its supported positioning methods in the PRES.
- H. Consistent with the SET capabilities received in the SUPL TRIGGERED START message the H-SLC selects a positioning method to be used for the periodic triggered session. This posmethod may either be the posmethod recommended by the H-SPC in step G, or a different posmethod of the H-SLC's choosing, as long as it is one supported by the H-SPC. The H-SLC responds with a SUPL TRIGGERED RESPONSE message including session-id, posmethod, H-SPC address, periodic trigger parameters, SPC\_SET\_Key and SPC-TID. Consistent with the rep\_capabilities of the SET, the H-SLC also indicates the reporting mode (rep\_mode parameter) to be used by the SET: real time reporting, quasi-real time reporting or batch reporting. In the case of batch reporting, the SUPL TRIGGERED RESPONSE message indicates the conditions for sending batch reports to the H-SLC and any criteria, when the conditions for sending arise, for including or excluding particular stored position estimates and/or (if allowed) particular stored enhanced cell/sector measurements. In the case of quasi-real time reporting, the SUPL TRIGGERED RESPONSE message indicates whether the SET is allowed to send enhanced cell/sector measurements in lieu of or in addition to position estimates. If enhanced cell/sector positioning was selected for batch or quasi-real time reporting, the SUPL TRIGGERED RESPONSE message indicates if the SET is permitted to send stored enhanced cell/sector measurements. In this case, if batch reporting was selected, the SET MAY skip steps J to N.
- I. The H-SLC informs the SUPL Agent in an MLP TLRA message that the triggered location response request has been accepted and also includes a req\_id parameter to be used as a transaction id for the entire duration of the periodic triggered session.  
The SET and the H-SLC MAY release the secure connection.

NOTE 5: The MLP TLRA may be sent earlier at any time after the H-SLP receives the MLP TLRR.

- J. When the periodic trigger in the SET indicates that a position fix has to be performed, the SET takes appropriate action establishing or resuming a secure connection. The SET then sends a SUPL POS INIT message to start a positioning session with the H-SPC. The SUPL POS INIT message contains at least session-id and the Location ID (lid). The SET MAY provide NMR specific for the radio technology being used (e.g., for GSM: TA, RXLEV). The SET MAY provide its position, if this is supported. The SET MAY set the Requested Assistance Data element in the SUPL POS INIT.  
If a position calculated based on information received in the SUPL POS INIT message is available (e.g. a cell-id based position fix) that meets the required QoP, the H-SPC MAY directly proceed to step N and not engage in a SUPL POS session.

- K. If the H-SPC cannot translate the lid received in step J into a coarse position, the H-SPC sends a PLREQ message to the H-SLC. The PLREQ message contains the session-id2 and the lid. This step is optional and not required if the H-SPC can perform the translation from lid into coarse position itself.
- L. This step is conditional and only occurs if step K was performed. The H-SLC reports the coarse position result back to the H-SPC in a PLRES message. PLRES contains the session-id2 and the posresult. If the coarse position meets the required QoP, the H-SPC MAY directly proceed to step N and not engage in a SUPL POS session.
- M. Based on the SUPL POS INIT message including posmethod(s) supported by the SET the H-SPC SHALL determine the posmethod. If the H-SLC included its approved positioning methods in step F, the H-SPC SHALL only choose an approved method. The SET and the H-SPC exchange several successive positioning procedure messages. The H-SPC calculates the position estimate based on the received positioning measurements (SET-Assisted) or the SET calculates the position estimate based on assistance obtained from the H-SPC (SET-Based).
- N. Once the position calculation is complete the H-SPC sends the SUPL REPORT message to the SET informing it that the positioning procedure is completed. The SET MAY release the secure connection to the H-SPC. If the reporting mode is batch reporting, the SET stores all calculated position estimates. In SET Assisted mode the position is calculated by the H-SPC and therefore needs to be included in the message for batch reporting mode.
- O. This step is optional: Once the position calculation is complete and if real time or quasi-real time reporting is used the H-SPC sends the position estimate in a PRPT message to the H-SLC. PRPT contains the session-id2, the position result and the number of the fix. This message is optional and only used if the position was calculated by the H-SPC i.e. in SET Assisted mode.

If a SET Based positioning method was chosen which allows the SET to autonomously calculate a position estimate (e.g. autonomous GPS or A-GPS SET Based mode where the SET has current GPS assistance data and does not require an assistance data update from the H-SLP) steps J to O are not performed. Instead, the SET autonomously calculates the position estimate and – for real time or quasi-real time reporting – sends the calculated position estimate to the H-SLC using a SUPL REPORT message containing the session-id and the position estimate.

- P. This step is optional: once the position calculation is complete and if real time or quasi-real time reporting is used, the H-SLC sends a MLP TLREP message to the SUPL Agent. The MLP TLREP message includes the req\_id and the position result. If the reporting mode is set to batch reporting, this message is not used.
- Q. This step is optional: If the SET cannot communicate with the H-SLP (e.g. no radio coverage available) and quasi-real time reporting is used or if batch reporting is used, the SET MAY – if supported - perform SET Based position fixes (autonomous GPS or SET Based A-GPS where the SET has current assistance data) and/or, if allowed by the H-SLP, enhanced cell/sector measurements. In the case of batch reporting, and if explicitly allowed by the H-SLP, enhanced cell/sector measurements are permitted even when the SET can communicate with the H-SLP.
- R. This step is optional and is executed if batch reporting is used and if any of the conditions for sending batch reports have occurred. It is also executed, once the SET is able to re-establish communication with the H-SLP, if quasi-real time reporting is used if one or more previous reports have been missed. The SET sends the stored position estimates and/or, if allowed, the stored enhanced cell/sector measurements in an unsolicited SUPL REPORT message to the H-SLC. The SUPL REPORT message contains the session-id and the position result(s) including date and time information for each position result and optionally the position method used. In the case of batch reporting, the stored position estimates and/or enhanced cell/sector measurements included in the SUPL REPORT message may be chosen according to criteria received in step H. If no criteria are received in step H, the SET shall include all stored position estimates and/or enhanced cell/sector measurements not previously reported.
- S. This step is optional: if the SUPL REPORT message in step R contained enhanced cell/sector measurements and the H-SPC is required to translate the received enhanced cell/sector measurements into position estimates, the H-SLC sends a PLREQ message to the H-SPC. The PLREQ message contains the session-id2 and the enhanced cell/sector measurements received in step R.
- T. This step is conditional and only used if step S occurred: the H-SPC returns the calculated position estimates to the H-SLC in a PLRES message. PLRES contains session-id2 and the position results.

- U. The H-SLP forwards the reported and/or calculated position estimate(s) to the SUPL Agent in an MLP TLREP message.

Steps J to U are repeated as applicable. When the last position estimate needs to be calculated i.e. the end of the periodic triggered session has been reached, steps V to AA may be performed (a repeat of steps J to O). Alternatively - and if applicable - step Q is repeated.

- BB. This step is optional. When real-time reporting is used, it is executed after the last position estimate or, if allowed, last set of enhanced cell/sector measurements has been obtained or was due. When batch or quasi real-time reporting is used, step BB is executed if and as soon as the following conditions apply:

- i. The SET has stored historic location reports and/or stored historic enhanced cell/sector measurements that have not yet been sent to the H-SLC.
- ii. The SET is able to establish communication with the H-SLP
- iii. In the case of batch reporting, the conditions for sending have arisen or the SET has obtained the last fix according to the number of fixes (in which case an incomplete batch of positions is sent).

The SUPL REPORT message is used to send all or a subset of stored position fixes and/or stored enhanced cell/sector measurements not previously reported to the H-SLC. In the case of batch reporting, the stored position estimates and/or stored enhanced cell/sector measurements included in the SUPL REPORT message may be chosen according to criteria received in step H. If no criteria are received in step H, the SET shall include all stored position estimates and/or stored enhanced cell/sector measurements not previously reported.

- CC. This step is optional: if the SUPL REPORT message in step BB contained enhanced cell/sector measurements and the H-SPC is required to translate the received enhanced cell/sector measurements into position estimates, the H-SLC sends a PLREQ message to the H-SPC. The PLREQ message contains the session-id2 and the enhanced cell/sector measurements received in step BB.

- DD. This step is conditional and only used if step CC occurred: the H-SPC returns the calculated position estimates to the H-SLC in a PLRES message. PLRES contains session-id2 and the position results.

- EE. The H-SLC forwards the reported and/or calculated historical position estimate(s) to the SUPL Agent in an MLP TLREP message. As an option (e.g. if the SUPL Agent is not available), the H-SLC could retain the historic position fixes for later retrieval by the SUPL Agent.

- FF. After the last position result has been reported to the SUPL Agent in step EE the H-SLC informs the H-SPC about the end of the periodic triggered session by sending a PEND message. PEND contains the session-id2.

- GG. The H-SLC ends the periodic triggered session by sending a SUPL END message to the SET. Please note that if the last position was calculated in step Y and step BB was not performed, the SUPL END message is sent from the H-SPC to the SET (as opposed to from the H-SLC to the SET).

## 6.2.2 Roaming with V-SPC Positioning Successful Case

SUPL Roaming where the V-SPC is involved in the position calculation.

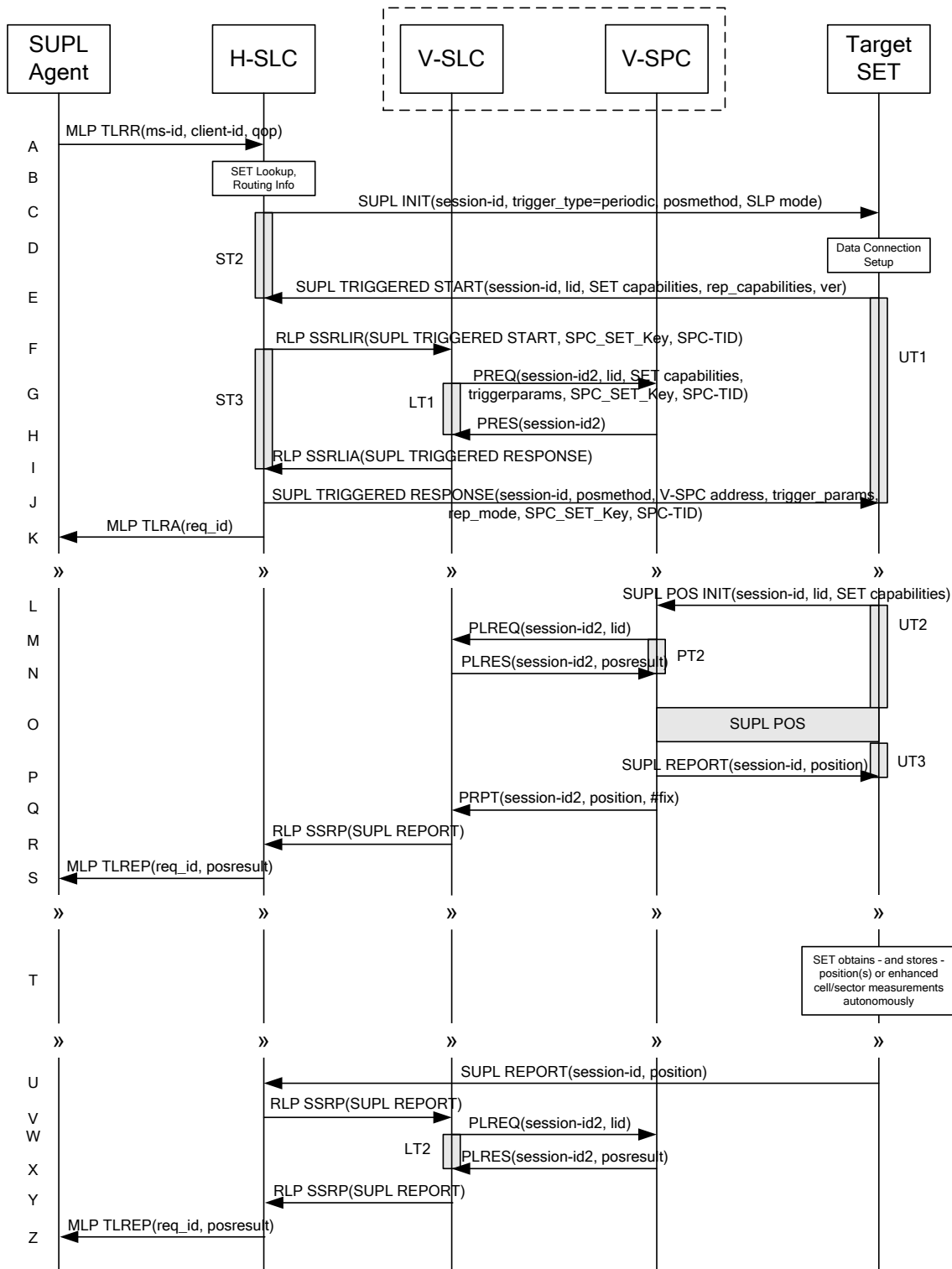
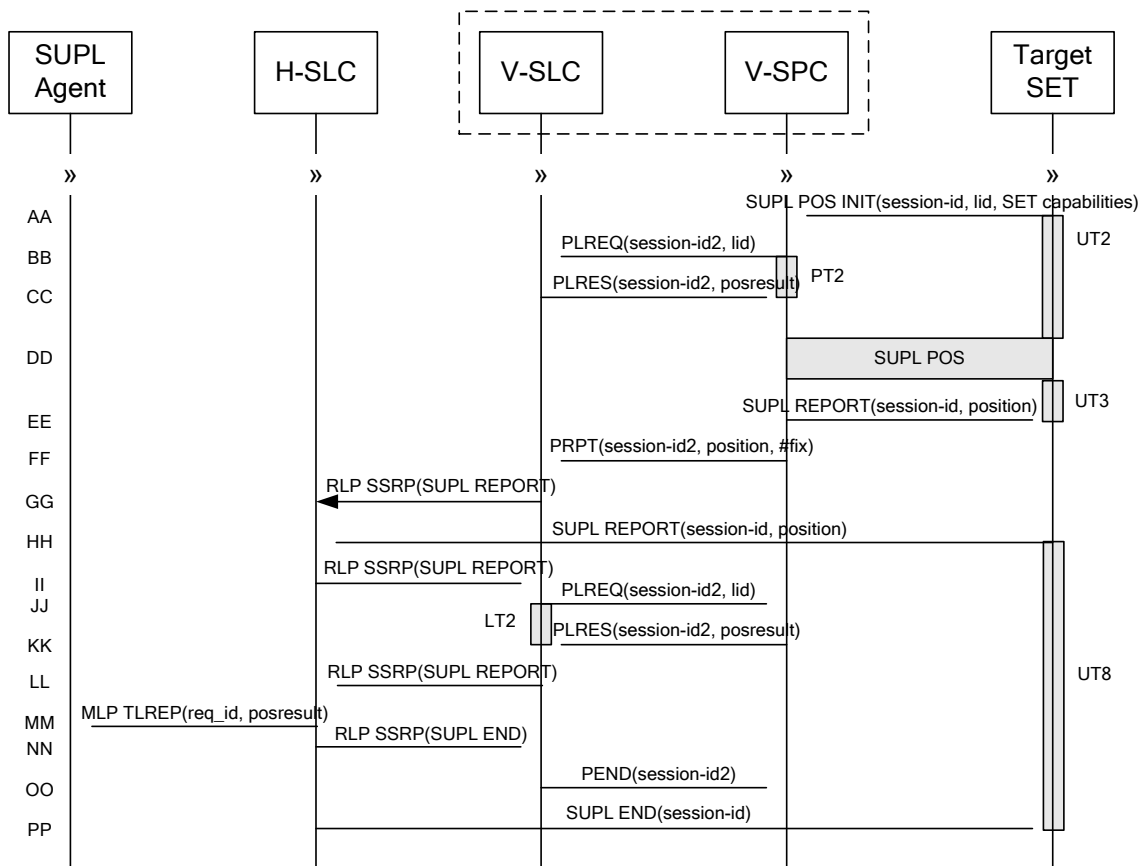


Figure 33: Network Initiated Periodic Trigger Service Roaming Successful Case – Non-Proxy with V-SPC positioning (Part I)



**Figure 34: Network Initiated Periodic Trigger Service Roaming Successful Case – Non-Proxy with V-SPC positioning (Part II)**

NOTE 1: See Appendix C for timer descriptions.

- A. SUPL Agent issues an MLP TLRR message to the H-SLC, with which SUPL Agent is associated. The H-SLC shall authenticate the SUPL Agent and check if the SUPL Agent is authorized for the service it requests, based on the client-id received. Further, based on the received ms-id the H-SLC shall apply subscriber privacy against the client-id. The TLRR message may indicate that batch reporting or quasi-real time reporting is to be used instead of real time reporting. In the case of batch reporting, the TLRR indicates the conditions for sending batch reports to the H-SLP and any criteria, when the conditions for sending arise, for including or excluding particular stored position estimates (e.g. QoP, time window).
- B. The H-SLC verifies that the target SET is currently SUPL Roaming. The H-SLC MAY also verify that the target SET supports SUPL.

NOTE 2: The specifics for determining if the SET is SUPL Roaming or not is considered outside the scope of SUPL. However, there are various environment dependent mechanisms.

NOTE 3: Alternatively, the H-SLP may determine whether the SET is SUPL Roaming in a later step using the location identifier (lid) received from the SET.

NOTE 4: The specifics for determining if the SET supports SUPL are beyond SUPL 2.1 scope.

- C. The H-SLC initiates the periodic trigger session with the SET using the SUPL INIT message. The SUPL INIT message contains at least session-id, trigger type indicator (in this case periodic), proxy/non-proxy mode indicator and the intended positioning method. If the result of the privacy check in Step A indicates that subscriber privacy check based on current location is required, the H-SLP SHALL set notification mode to notification based on



current location and SHALL NOT include the notification element in the SUPL INIT message; otherwise, the H-SLP SHALL set the notification mode indicator to normal notification and if notification or verification to the target subscriber is needed, the H-SLP SHALL also include the notification element in the SUPL INIT message. Before the SUPL INIT message is sent, the H-SLC also computes and stores a hash of the message.

- D. The SET analyses the received SUPL INIT. If it is found to be non authentic, the SET takes no further action. Otherwise the SET takes needed action preparing for establishment or resumption of a secure connection.
- E. The SET will evaluate the Notification rules and follow the appropriate actions. The SET also checks the proxy/non-proxy mode indicator to determine if the H-SLC uses proxy or non-proxy mode. In this case, non-proxy mode is used, and the SET SHALL establish a secure connection to the H-SLC using the H-SLC address which has been provisioned by the Home Network to the SET.  
The SET then sends a SUPL TRIGGERED START message to start a periodic triggered session with the H-SLP. The SET SHALL send the SUPL TRIGGERED START message even if the SET supported positioning technologies do not include the intended positioning method indicated in the SUPL INIT message. The SUPL TRIGGERED START message contains at least session-id, SET capabilities, a hash of the received SUPL INIT message (ver), Location ID (lid) and reporting capabilities (rep\_capabilities). The SET capabilities include the supported positioning methods (e.g., SET-Assisted A-GPS, SET-Based A-GPS) and associated positioning protocols (e.g., RRLP, RRC, TIA-801 or LPP/LPPE). The rep\_capabilities parameter indicates whether the SET is capable of batch reporting, real-time reporting and/or quasi-real time reporting.
- F. Based on the received lid or other mechanisms, the H-SLC determines the V-SLC and sends an RLP SSRLIR including the SUPL TRIGGERED START message to the V-SLC to inform the V-SLC that the target SET will initiate a SUPL positioning procedure. The H-SLC also generates SPC\_SET\_Key and SPC-TID to be used for V-SPC/SET mutual authentication and includes both in the RLP SSRLIR message.
- G. The V-SLC requests service from the V-SPC for a periodic triggered SUPL session by sending a PREQ message containing the session-id2, the SET capabilities, the triggerparams and the lid. The V-SLC also forwards SPC\_SET\_Key and SPC-TID received in step F to the V-SPC in the PREQ message. The PREQ MAY also optionally contain the QoP. The V-SLC MAY include its approved positioning methods for this session. If the approved positioning methods are not included, the V-SPC SHALL assume that all its available positioning methods have been approved.
- H. The V-SPC accepts the service request for a SUPL session from the V-SLC with a PRES message containing the session-id2. The V-SPC MAY include a preferred positioning method in the PRES. The V-SPC MAY include its supported positioning methods in the PRES.
- I. Consistent with the SET capabilities received in step E, the V-SLC determines a posmethod to be used for the periodic triggered session. This posmethod may either be the posmethod recommended by the V-SPC in step H, or a different posmethod of the V-SLC's choosing, as long as it is one supported by the V-SPC. The V-SLC indicates its readiness for a periodic triggered session by sending a SUPL TRIGGERED RESPONSE message back to the H-SLC in an RLP SSRLIA message.
- J. The H-SLC forwards the received SUPL TRIGGERED RESPONSE message to the SET including session-id, posmethod, V-SPC address, periodic trigger parameters, SPC\_SET\_Key and SPC-TID. Consistent with the rep\_capabilities of the SET, the H-SLC also indicates the reporting mode (rep\_mode parameter) to be used by the SET: real time reporting, quasi-real time reporting or batch reporting. In the case of batch reporting, the SUPL TRIGGERED RESPONSE message indicates the conditions for sending batch reports to the H-SLC and any criteria, when the conditions for sending arise, for including or excluding particular stored position estimates and/or (if allowed) particular stored enhanced cell/sector measurements. In the case of quasi-real time reporting, the SUPL TRIGGERED RESPONSE message indicates whether the SET is allowed to send enhanced cell/sector measurements in lieu of or in addition to position estimates. If enhanced cell/sector positioning was selected for batch or quasi-real time reporting, the SUPL TRIGGERED RESPONSE message indicates if the SET is permitted to send stored enhanced cell/sector measurements. In this case, if batch reporting was selected, the SET MAY skip steps L to P.
- K. The H-SLC informs the SUPL Agent in an MLP TLRA message that the triggered location response request has been accepted and also includes a req\_id parameter to be used as a transaction id for the entire duration of the periodic triggered session. The SET and the H-SLC MAY release the secure connection.

NOTE 5: The MLP TLRA may be sent earlier at any time after the H-SLP receives the MLP TLRR.

- L. When the periodic trigger in the SET indicates that a position fix has to be performed, the SET takes appropriate action establishing or resuming a secure connection. The SET then sends a SUPL POS INIT message to the V-SPC to start a positioning session with the V-SPC. The SUPL POS INIT message contains at least session-id and the Location ID (lid). The SET MAY provide NMR specific for the radio technology being used (e.g., for GSM: TA, RXLEV). The SET MAY provide its position, if this is supported. The SET MAY set the Requested Assistance Data element in the SUPL POS INIT.  
If a position calculated based on information received in the SUPL POS INIT message is available (e.g. a cell-id based position fix) that meets the required QoP, the V-SPC MAY directly proceed to step P and not engage in a SUPL POS session.
- M. If the V-SPC cannot translate the lid received in step L into a coarse position, the V-SPC sends a PLREQ message to the V-SLC. The PLREQ message contains the session-id2 and the lid. This step is optional and not required if the V-SPC can perform the translation from lid into coarse position itself.
- N. This step is conditional and only occurs if step M was performed. The V-SLC reports the coarse position result back to the V-SPC in a PLRES message. PLRES contains the session-id2 and the posresult. If the coarse position meets the required QoP, the V-SPC MAY directly proceed to step P and not engage in a SUPL POS session.
- O. Based on the SUPL POS INIT message including posmethod(s) supported by the SET the V-SPC SHALL determine the posmethod. If the V-SLC included its approved positioning methods in step G, the V-SPC SHALL only choose an approved method. The SET and the V-SPC exchange several successive positioning procedure messages. The V-SPC calculates the position estimate based on the received positioning measurements (SET-Assisted) or the SET calculates the position estimate based on assistance obtained from the V-SPC (SET-Based).
- P. Once the position calculation is complete the V-SPC sends the SUPL REPORT message to the SET informing it that the positioning procedure is completed. The SET MAY release the secure connection to the V-SLP. If the reporting mode is batch reporting, the SET stores all calculated position estimates. In SET Assisted mode the position is calculated by the V-SPC and therefore needs to be included in the message for batch reporting mode.
- Q. This step is optional: once the position calculation is complete and real time or quasi-real time reporting is used, the V-SPC sends the position estimate in a PRPT message to the V-SLC. PRPT contains the session-id2, the position result and the number of the fix. This message is optional and only used if the position was calculated by the V-SPC i.e. in SET Assisted mode.
- R. This step is conditional and is only used after step Q occurred. The V-SLC sends the position estimate to the H-SLC in a SUPL REPORT message. The SUPL REPORT message includes at a minimum the session-id and the position estimate. The SUPL REPORT message is carried within an RLP SSRP message.  
If a SET Based positioning method was chosen which allows the SET to autonomously calculate a position estimate (e.g. autonomous GPS or A-GPS SET Based mode where the SET has current GPS assistance data and does not require an assistance data update from the V-SLP) steps L to R are not performed. Instead, the SET autonomously calculates the position estimate and – for real time or quasi-real time reporting – sends the calculated position estimate to the H-SLC using a SUPL REPORT message containing the session-id and the position estimate.
- S. This step is optional: if real time or quasi-real time reporting is used, the H-SLC forwards the position estimate received in an MLP TLREP message to the SUPL Agent. The MLP TLREP message includes the req\_id and the position result. If the reporting mode is set to batch reporting, this message is not needed.
- T. This step is optional: If the SET cannot communicate with the V-SLP (e.g. no radio coverage available) and quasi-real time reporting is used or if batch reporting is used, the SET MAY – if supported - perform SET Based position fixes (autonomous GPS or SET Based A-GPS where the SET has current assistance data) and/or, if allowed by the H-SLP, enhanced cell/sector measurements. In the case, of batch reporting, and if explicitly allowed by the H-SLP, enhanced cell/sector measurements are permitted even when the SET can communicate with the V-SLP.
- U. This step is optional and is executed if batch reporting is used and if any of the conditions for sending batch reports have occurred. It is also executed, once the SET is able to re-establish communication with the H-SLP/V-SLP, if quasi-real time reporting is used if one or more previous reports have been missed. The SET sends the stored position estimates and/or, if allowed, the stored enhanced cell/sector measurements in an unsolicited SUPL REPORT message to the H-SLC. The SUPL REPORT message contains the session-id and the position result(s)

including date and time information for each position result and optionally the position method used. In the case of batch reporting, the stored position estimates and/or enhanced cell/sector measurements included in the SUPL REPORT message may be chosen according to criteria received in step J. If no criteria are received in step J, the SET shall include all stored position estimates and/or enhanced cell/sector measurements not previously reported.

- V. This step is optional: if the H-SLC received stored enhanced cell/sector measurements in the SUPL REPORT message in step U, the V-SLP may need to be involved to translate the enhanced cell/sector measurements into actual position estimates. To this end the H-SLC sends a SUPL REPORT message to the V-SLC using an SSRP message over RLP tunnel.
- W. This step is optional: if the SUPL REPORT message in step V contained enhanced cell/sector measurements and the V-SPC is required to translate the received enhanced cell/sector measurements into position estimates, the V-SLC sends a PLREQ message to the V-SPC. The PLREQ message contains the session-id2 and the enhanced cell/sector measurements received in step V.
- X. This step is conditional and only used if step W occurred: the V-SPC returns the calculated position estimates to the V-SLC in a PLRES message. PLRES contains session-id2 and the position results.
- Y. This step is conditional and takes place after step V and - optionally - steps W and X. A SUPL REPORT message containing position estimates calculated from enhanced cell/sector measurements received in step V is sent from the V-SLC to the H-SLC using an SSRP message over RLP tunnel.
- Z. The H-SLC forwards the reported and/or calculated position estimate(s) to the SUPL Agent in an MLP TLREP message.

Steps L to Z are repeated as applicable. When the last position estimate needs to be calculated i.e. the end of the periodic triggered session has been reached, steps AA to GG may be performed (a repeat of steps L to R). Alternatively – and if applicable – step T is repeated.

- HH. This step is optional. When real-time reporting is used, it is executed after the last position estimate or, if allowed, last set of enhanced cell/sector measurements has been obtained or was due. When batch or quasi real-time reporting is used, step HH is executed if and as soon as the following conditions apply:
  - i. The SET has stored historic location reports and/or stored historic enhanced cell/sector measurements that have not yet been sent to the H-SLC.
  - ii. The SET is able to establish communication with the H-SLP.
  - iii. In the case of batch reporting, the conditions for sending have arisen or the SET has obtained the last fix according to the number of fixes (in which case an incomplete batch of positions is sent)..

The SUPL REPORT message is used to send all or a subset of stored position fixes and/or stored enhanced cell/sector measurements not previously reported to the H-SLC. In the case of batch reporting, the stored position estimates and/or stored enhanced cell/sector measurements included in the SUPL REPORT message may be chosen according to criteria received in step J. If no criteria are received in step J, the SET shall include all stored position estimates and/or stored enhanced cell/sector measurements not previously reported.

- II. This step is optional: if the H-SLC received stored enhanced cell/sector measurements in the SUPL REPORT message in step HH, the V-SLP may need to be involved to translate the enhanced cell/sector measurements into actual position estimates. To this end the H-SLC sends a SUPL REPORT message to the V-SLC using an SSRP message over RLP tunnel.
- JJ. This step is optional: if the SUPL REPORT message in step HH contained enhanced cell/sector measurements and the V-SPC is required to translate the received enhanced cell/sector measurements into position estimates, the V-SLC sends a PLREQ message to the V-SPC. The PLREQ message contains the session-id2 and the enhanced cell/sector measurements received in step HH.
- KK. This step is conditional and only used if step JJ occurred: the V-SPC returns the calculated position estimates to the V-SLC in a PLRES message. PLRES contains session-id2 and the position results.

- LL. This step is conditional and takes place after step II and - optionally - steps JJ and KK. A SUPL REPORT message containing position estimates calculated from enhanced cell/sector measurements received in step II is sent from the V-SLC to the H-SLC using an SSRP message over RLP tunnel.
- MM. The H-SLC forwards the reported and/or calculated historical position estimate(s) to the SUPL Agent in an MLP TLREP message. As an option (e.g. if the SUPL Agent is not available), the H-SLC could retain the historic position fixes for later retrieval by the SUPL Agent.
- NN. After the last position result has been reported to the SUPL Agent in step MM, the H-SLC informs the V-SLC about the end of the periodic triggered session through an SUPL END message carried within an SSRP message over RLP tunnel.
- OO. The V-SLC informs the V-SPC about the end of the periodic triggered session in a PEND message. PEND contains the session-id2.
- PP. The H-SLC ends the periodic triggered session with the SET by sending a SUPL END message. The SUPL END message includes at least the session-id. Please note that if the last position was calculated in step DD and step HH was not performed, the SUPL END message is sent from the V-SPC to the SET (as opposed to from the H-SLC to the SET).

### 6.2.3 Roaming with H-SPC Positioning Successful Case

SUPL Roaming where the H-SPC is involved in the position calculation.

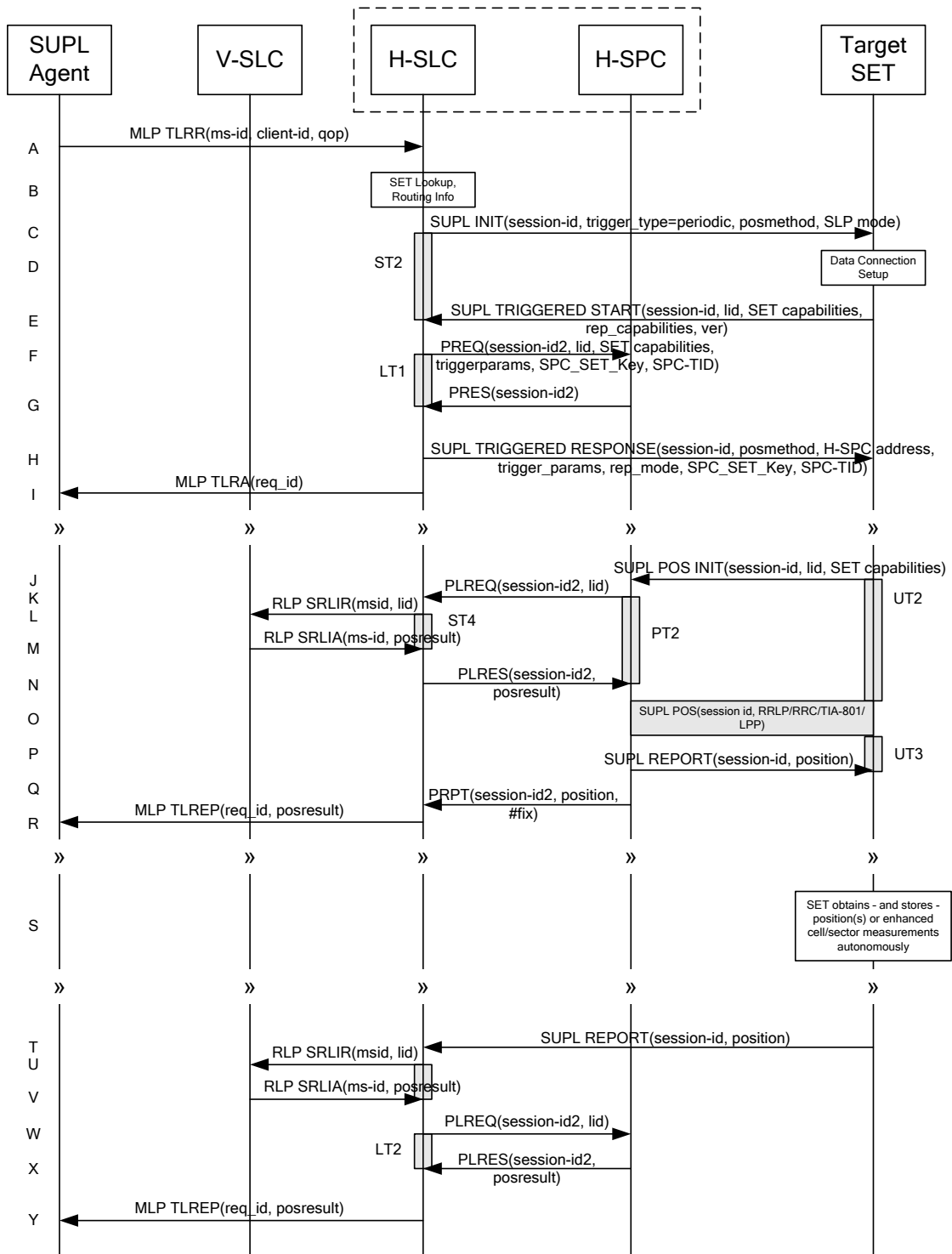


Figure 35: Network Initiated Periodic Trigger Service Roaming Successful Case – Non-Proxy with H-SPC positioning (Part I)



current location and SHALL NOT include the notification element in the SUPL INIT message; otherwise, the H-SLP SHALL set the notification mode indicator to normal notification and if notification or verification to the target subscriber is needed, the H-SLP SHALL also include the notification element in the SUPL INIT message. Before the SUPL INIT message is sent, the H-SLC also computes and stores a hash of the message.

- D. The SET analyses the received SUPL INIT. If it is found to be non authentic, the SET takes no further action. Otherwise the SET takes needed action preparing for establishment or resumption of a secure connection.
- E. The SET will evaluate the Notification rules and follow the appropriate actions. The SET also checks the proxy/non-proxy mode indicator to determine if the H-SLP uses proxy or non-proxy mode. In this case, non-proxy mode is used, and the SET SHALL establish a secure connection to the H-SLC using the H-SLC address that has been provisioned by the Home Network to the SET.  
The SET then sends a SUPL TRIGGERED START message to start a periodic triggered session with the H-SLC. The SET SHALL send the SUPL TRIGGERED START message even if the SET supported positioning technologies do not include the intended positioning method indicated in the SUPL INIT message. The SUPL TRIGGERED START message contains at least session-id, SET capabilities, a hash of the received SUPL INIT message (ver), Location ID (lid) and reporting capabilities (rep\_capabilities). The SET capabilities include the supported positioning methods (e.g., SET-Assisted A-GPS, SET-Based A-GPS) and associated positioning protocols (e.g., RRLP, RRC, TIA-801 or LPP/LPp). The rep\_capabilities parameter indicates whether the SET is capable of batch reporting, real-time reporting and/or quasi-real time reporting.
- F. The H-SLC requests service from the H-SPC for a periodic triggered SUPL session by sending a PREQ message containing the session-id2, the SET capabilities, the triggerparams and the lid. The H-SLC generates SPC\_SET\_Key and SPC-TID for mutual H-SPC/SET authentication and forwards both to the H-SPC in the PREQ message. The PREQ MAY also optionally contain the QoP. The H-SLC MAY include its approved positioning methods for this session. If the approved positioning methods are not included, the H-SPC SHALL assume that all its available positioning methods have been approved.
- G. The H-SPC accepts the service request for a SUPL session from the H-SLC with a PRES message containing the session-id2. The H-SPC MAY include a preferred positioning method in the PRES. The H-SPC MAY include its supported positioning methods in the PRES.
- H. Consistent with the SET capabilities received in step E, the H-SLC determines a posmethod to be used for the periodic triggered session. This posmethod may either be the posmethod recommended by the H-SPC in step G, or a different posmethod of the H-SLC's choosing, as long as it is one supported by the H-SPC. The H-SLC indicates its readiness for a periodic triggered session by sending a SUPL TRIGGERED RESPONSE message back to the SET. The SUPL TRIGGERED RESPONSE message to the SET includes at a minimum the session-id, posmethod, H-SPC address, periodic trigger parameters, SPC\_SET\_Key and SPC-TID. Consistent with the rep\_capabilities of the SET, the H-SLC also indicates the reporting mode (rep\_mode parameter) to be used by the SET: real time reporting, quasi-real time reporting or batch reporting. In the case of batch reporting, the SUPL TRIGGERED RESPONSE message indicates the conditions for sending batch reports to the H-SLC and any criteria, when the conditions for sending arise, for including or excluding particular stored position estimates and/or (if allowed) particular stored enhanced cell/sector measurements. In the case of quasi-real time reporting, the SUPL TRIGGERED RESPONSE message indicates whether the SET is allowed to send enhanced cell/sector measurements in lieu of or in addition to position estimates. If enhanced cell/sector positioning was selected for batch or quasi-real time reporting, the SUPL TRIGGERED RESPONSE message indicates if the SET is permitted to send stored enhanced cell/sector measurements. In this case, if batch reporting was selected, the SET MAY skip steps J to P.
- I. The H-SLC informs the SUPL Agent in an MLP TLRA message that the triggered location response request has been accepted and also includes a req\_id parameter to be used as a transaction id for the entire duration of the periodic triggered session. The SET and the H-SLC MAY release the secure connection.

NOTE 5: The MLP TLRA may be sent earlier at any time after the H-SLP receives the MLP TLRR.

- J. When the periodic trigger in the SET indicates that a position fix has to be performed, the SET takes appropriate action establishing or resuming a secure connection. The SET then sends a SUPL POS INIT message to the H-SPC to start a positioning session with the H-SPC. The SUPL POS INIT message contains at least session-id and the Location ID (lid). The SET MAY provide NMR specific for the radio technology being used (e.g., for GSM: TA, RXLEV). The SET MAY provide its position, if this is supported. The SET MAY set the Requested Assistance Data

element in the SUPL POS INIT.

If the SUPL POS INIT message contains a position that meets the required QoP, the H-SPC MAY directly proceed to step P.

- K. To translate the lid received in step J into a coarse position, the H-SPC sends a PLREQ message to the H-SLC. The PLREQ message contains the session-id2 and the lid.
- L. To obtain a coarse position the H-SLC sends an RLP SRLIR message to the V-SLP.
- M. The V-SLP translates the received lid into a position estimate and returns the result to the H-SLC in an RLP SRLIA message.  
For real-time or quasi-real time reporting, if the returned position meets the required QoP, the H-SLC MAY directly proceed to step R and not engage in a SUPL POS session. For batch reporting, if the returned position meets the required QoP, the H-SLC MAY send the position result through internal communication to the H-SPC (step N) and the H-SPC will forward the position result to the SET using a SUPL REPORT message (step P) without engaging in a SUPL POS session (step O).
- N. The H-SLC reports the coarse position result back to the H-SPC in a PLRES message. PLRES contains the session-id2 and the posresult. If the coarse position meets the required QoP, the H-SPC SHALL directly proceed to step P and not engage in a SUPL POS session.
- O. Based on the SUPL POS INIT message including posmethod(s) supported by the SET the H-SPC SHALL determine the posmethod. If the H-SLC included its approved positioning methods in step F, the H-SPC SHALL only choose an approved method. The SET and the H-SPC exchange several successive positioning procedure messages. The H-SPC calculates the position estimate based on the received positioning measurements (SET-Assisted) or the SET calculates the position estimate based on assistance obtained from the H-SPC (SET-Based).
- P. Once the position calculation is complete the H-SPC sends the SUPL REPORT message to the SET informing it that the positioning procedure is completed. The SET MAY release the secure connection to the H-SLP. If the reporting mode is batch reporting, the SET stores all calculated position estimates. In SET Assisted mode the position is calculated by the H-SPC and therefore needs to be included in the message for batch reporting mode.
- Q. This step is optional: once the position calculation is complete and if real time or quasi-real time reporting is used, the H-SPC sends the position estimate in a PRPT message to the H-SLC. PRPT contains the session-id2, the position result and the number of the fix. This message is optional and only used if the position was calculated by the H-SPC i.e. in SET Assisted mode.

If a SET Based positioning method was chosen which allows the SET to autonomously calculate a position estimate (e.g. autonomous GPS or A-GPS SET Based mode where the SET has current GPS assistance data and does not require an assistance data update from the H-SLP) steps J to Q are not performed. Instead, the SET autonomously calculates the position estimate and – for real time or quasi-real time reporting – sends the calculated position estimate to the H-SLC using a SUPL REPORT message containing the session-id and the position estimate.

- R. This step is optional: if real time or quasi-real time reporting is used, the H-SLC forwards the calculated position estimate to the SUPL Agent in an MLP TLREP message. The MLP TLREP message includes the req\_id and the position result. If the reporting mode is set to batch reporting, this message is not needed.
- S. This step is optional: If the SET cannot communicate with the H-SLP (e.g. no radio coverage available) and quasi-real time reporting is used or if batch reporting is used, the SET MAY – if supported - perform SET Based position fixes (autonomous GPS or SET Based A-GPS where the SET has current assistance data) and/or, if allowed by the H-SLP, enhanced cell/sector measurements. In the case, of batch reporting, and if explicitly allowed by the H-SLP, enhanced cell/sector measurements are permitted even when the SET can communicate with the H-SLP.
- T. This step is optional and is executed if batch reporting is used and if any of the conditions for sending batch reports have occurred. It is also executed, once the SET is able to re-establish communication with the H-SLP, if quasi-real time reporting is used if one or more previous reports have been missed. The SET sends the stored position estimates and/or, if allowed, the stored enhanced cell/sector measurements in an unsolicited SUPL REPORT message to the H-SLC. The SUPL REPORT message contains the session-id and the position result(s) including date and time information for each position result and optionally the position method used. In the case of batch



reporting, the stored position estimates and/or enhanced cell/sector measurements included in the SUPL REPORT message may be chosen according to criteria received in step H. If no criteria are received in step H, the SET shall include all stored position estimates and/or enhanced cell/sector measurements not previously reported.

- U. This step is optional: if the H-SLC received stored enhanced cell/sector measurements in the SUPL REPORT message in step T, the V-SLP may need to be involved to translate the enhanced cell/sector measurements into actual position estimates. To this end the H-SLC sends an RLP SRLIR message to the V-SLC.
- V. This step is conditional and takes place only if step U occurred. The V-SLC sends the position result calculated based on the enhanced cell/sector measurements received in step U to the H-SLC.
- W. This step is optional and only takes place if after the translation into a position estimate in steps U and V the H-SPC is required to calculate the position estimate. In this case the H-SLC sends a PLREQ message to the H-SPC. The PLREQ message contains the session-id2 and the enhanced cell/sector measurements received in step T.
- X. This step is conditional and only used if step W occurred: the H-SPC returns the calculated position estimates to the H-SLC in a PLRES message. PLRES contains session-id2 and the position results.
- Y. The H-SLC forwards the reported and/or calculated position estimate(s) to the SUPL Agent in an MLP TLREP message.

Steps J to Y are repeated as applicable. When the last position estimate needs to be calculated i.e. the end of the periodic triggered session has been reached, steps Z to FF may be performed (a repeat of steps J to Q). Alternatively – and if applicable – step S is repeated.

HH. This step is optional. When real-time reporting is used, it is executed after the last position estimate or, if allowed, last set of enhanced cell/sector measurements has been obtained or was due. When batch or quasi real-time reporting is used, step HH is executed if and as soon as the following conditions apply:

- i. The SET has stored historic location reports and/or stored historic enhanced cell/sector measurements that have not yet been sent to the H-SLC.
- ii. The SET is able to establish communication with the H-SLP.
- iii. In the case of batch reporting, the conditions for sending have arisen or the SET has obtained the last fix according to the number of fixes (in which case an incomplete batch of positions is sent).

The SUPL REPORT message is used to send all or a subset of stored position fixes and/or stored enhanced cell/sector measurements not previously reported to the H-SLC. In the case of batch reporting, the stored position estimates and/or stored enhanced cell/sector measurements included in the SUPL REPORT message may be chosen according to criteria received in step H. If no criteria are received in step H, the SET shall include all stored position estimates and/or stored enhanced cell/sector measurements not previously reported.

- II. This step is optional: if the H-SLC received stored enhanced cell/sector measurements in the SUPL REPORT message in step HH, the V-SLP may need to be involved to translate the enhanced cell/sector measurements into actual position estimates. To this end the H-SLC sends an RLP SRLIR message to the V-SLC.
- JJ. This step is conditional and takes place only if step II occurred. The V-SLC sends the position result calculated based on the enhanced cell/sector measurements received in step II to the H-SLC.
- KK. This step is optional and only takes place if after the translation into a position estimate in steps II and JJ the H-SPC is required to calculate the position estimate. In this case the H-SLC sends a PLREQ message to the H-SPC. The PLREQ message contains the session-id2 and the enhanced cell/sector measurements received in step HH.
- LL. This step is conditional and only used if step KK occurred: the H-SPC returns the calculated position estimates to the H-SLC in a PLRES message. PLRES contains session-id2 and the position results.
- MM. The H-SLC forwards the reported and/or calculated historical position estimate(s) to the SUPL Agent in an MLP TLREP message. As an option (e.g. if the SUPL Agent is not available), the H-SLC could retain the historic position fixes for later retrieval by the SUPL Agent.

- NN. When the last position result was reported to the SUPL Agent in step OO, the H-SLC closes the periodic triggered session with the V-SLC by sending a SUPL END message encapsulated in an SSRP message over RLP tunnel.
- OO. The H-SLC informs the H-SPC about the end of the periodic triggered session by sending a PEND message. PEND contains the session-id2.
- PP. The H-SLC ends the periodic triggered session with the SET by sending a SUPL END message. The SUPL END message includes at least the session-id. Please note that if the last position was calculated in step EE and step HH was not performed, the SUPL END message is sent from the H-SPC to the SET (as opposed to from the H-SLC to the SET).

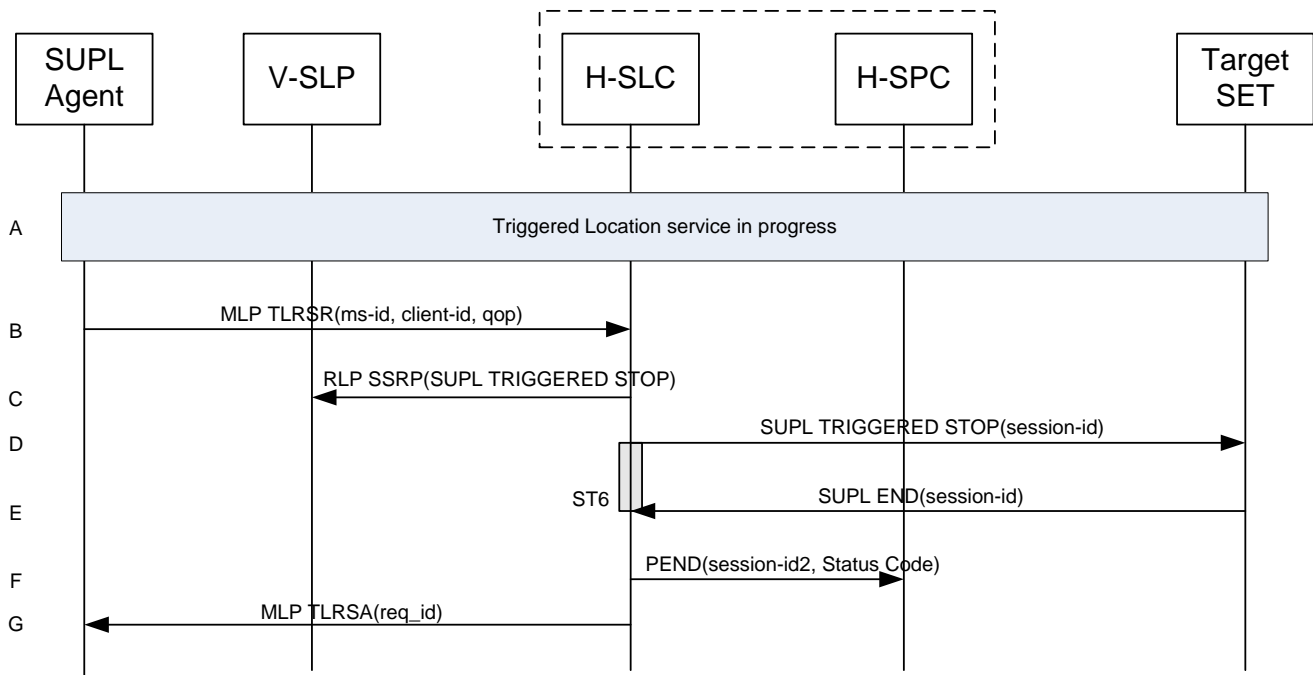
### 6.3 Exception Procedures

This section describes the exception procedures for triggered scenarios.

#### 6.3.1 SET does not allow Triggered Position

This error case does not impact the Llp interface.

#### 6.3.2 Network cancels the triggered location request



**Figure 37: Network Initiated Triggered location, Network cancels the triggered location request**

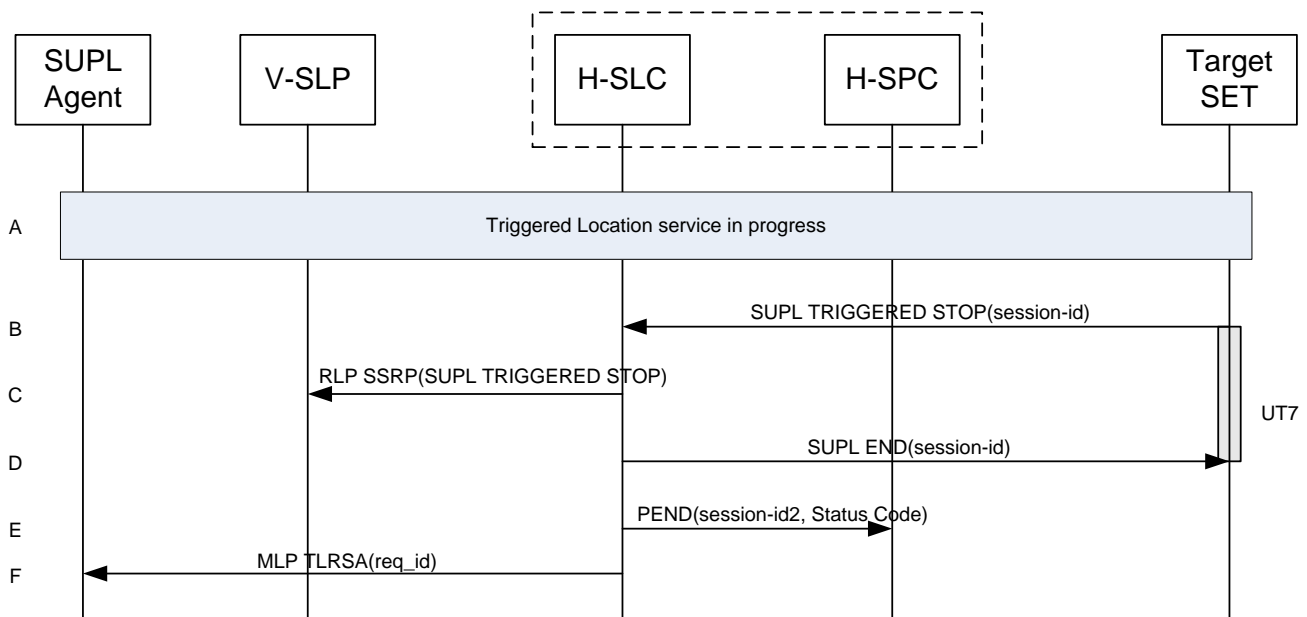
NOTE 1: See Appendix C for timer descriptions.

- A. The triggered location procedure is in progress.
- B. The SUPL Agent sends a MLP TLR\$R message to cancel the ongoing triggered session.

NOTE 2: The MLP TLR\$R in this flow is only used to illustrate a possible triggered session cancellation initiated by the SUPL Agent. The triggered session could also be cancelled by the H-SLC i.e. without the SUPL Agent's involvement.

- C. This step is optional. For roaming with V-SLP scenarios where the V-SLP is involved, an RLP SSRP message carrying the SUPL TRIGGERED STOP message is sent by the H-SLC to the V-SLP to notify the V-SLP that the triggered session has been cancelled and that all resource allocated to this session are to be released.
- D. The H-SLP sends a SUPL TRIGGERED STOP message with the session-id to the target SET to request cancellation of the triggered session.
- E. The target SET acknowledges that it has cancelled the positioning procedure with the SUPL END message back to the H-SLP.
- F. The H-SLC cancels the triggered session with the H-SPC by sending a PEND message including the appropriate Status Code.
- G. The H-SLC confirms cancellation of the triggered SUPL session by sending a MLP TLRSA message to the SUPL Agent.

### 6.3.3 SET cancels the triggered location request



**Figure 38: Network Initiated Triggered location, SET cancels the triggered location request**

NOTE 1: See Appendix C for timer descriptions.

- A. The triggered location procedure is in progress.
- B. The SET sends a SUPL TRIGGERED STOP message including the session-id to the H-SLC to request cancellation of the triggered session.
- C. This step is optional. For roaming with V-SLP scenarios where the V-SLP is involved, an RLP SSRP message carrying the SUPL TRIGGERED STOP message is sent by the H-SLC to the V-SLP to notify the V-SLP that the triggered session has been cancelled and that all resource allocated to this session are to be released.
- D. The H-SLC sends a SUPL END message to the SET. The SET SHALL release the secure connection and release all resources related to this session.
- E. The H-SLC cancels the triggered session with the H-SPC by sending a PEND message including the appropriate Status Code.

F. The H-SLC sends an MLP TLRSA message to the SUPL Agent to inform the SUPL Agent that the triggered session has been cancelled.

## 6.4 SET Initiated – Proxy mode

This section describes the SET Initiated Proxy mode scenarios. It is assumed that the trigger resides in the SET.

### 6.4.1 Non-Roaming Successful Case

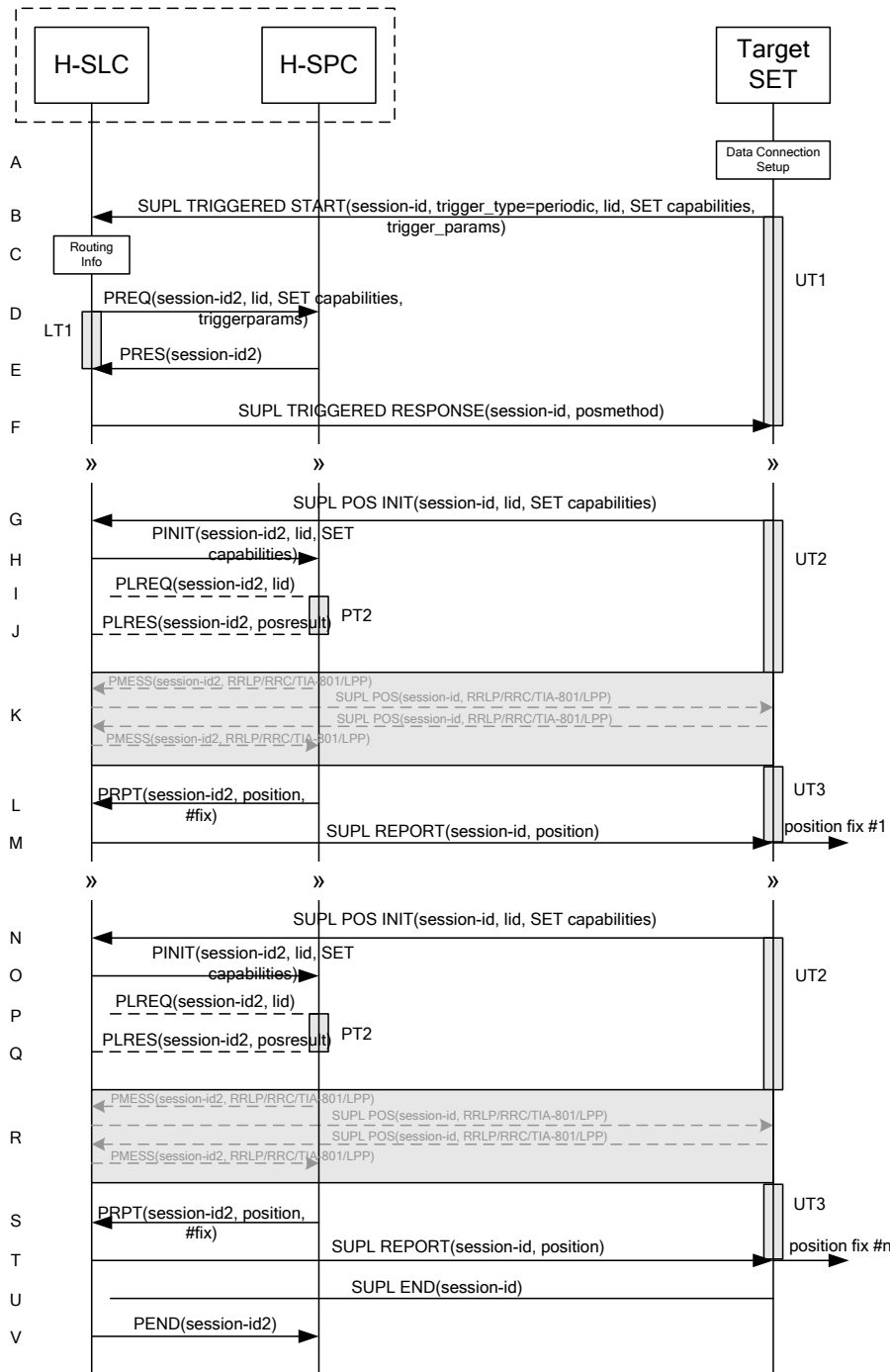


Figure 39: SET Initiated Periodic Trigger Service Non-Roaming Successful Case – Proxy Mode

NOTE 1: See Appendix C for timer descriptions.

- A. The SUPL Agent on the SET receives a request for a periodic triggered service from an application running on the SET. The SET takes appropriate action establishing or resuming a secure connection.
- B. The SUPL Agent on the SET uses the default address provisioned by the Home Network to establish a secure connection to the H-SLC and sends a SUPL TRIGGERED START message to start a positioning session with the H-SLP. The SUPL TRIGGERED START message contains session-id, SET capabilities, trigger type indicator (in this case periodic), Location ID (lid) and periodic trigger parameters. The SET capabilities include the supported positioning methods (e.g., SET-Assisted A-GPS, SET-Based A-GPS) and associated positioning protocols (e.g., RRLP, RRC, TIA-801 or LPP/LPPE).
- C. The H-SLC verifies that the target SET is currently not SUPL Roaming.

NOTE 2: The specifics for determining if the SET is SUPL Roaming or not is considered outside the scope of SUPL 2.1. However, there are various environment dependent mechanisms.

- D. The H-SLC requests service from the H-SPC for a periodic triggered SUPL session by sending a PREQ message containing the session-id2, the SET capabilities, the triggerparams and the lid. The PREQ MAY also optionally contain the QoP. The H-SLC MAY include its approved positioning methods for this session. If the approved positioning methods are not included, the H-SPC SHALL assume that all its available positioning methods have been approved.
- E. The H-SPC accepts the service request for a SUPL session from the H-SLC with a PRES message containing the session-id2. The H-SPC MAY include a preferred positioning method in the PRES. The H-SPC MAY include its supported positioning methods in the PRES.
- F. Consistent with the SUPL TRIGGERED START message including the SET capabilities of the SET, the H-SLP MAY determine the posmethod. If the H-SPC included a list of supported posmethods in step E, the chosen posmethod SHALL be on this list. If required for the posmethod, the H-SLP SHALL use the supported positioning protocol (e.g., RRLP, RRC, TIA-801 or LPP/LPPE) from the SUPL TRIGGERED START message. The H-SLC SHALL respond with a SUPL TRIGGERED RESPONSE message to the SET. The SUPL TRIGGERED RESPONSE contains the session-id but no H-SLC address, to indicate to the SET that a new connection SHALL NOT be established. The SUPL TRIGGERED RESPONSE also contains the posmethod. The SET and the H-SLC MAY release the secure connection.
- G. When the periodic trigger in the SET indicates that a position fix has to be calculated the SET takes appropriate action establishing or resuming a secure connection. The SET then sends a SUPL POS INIT message to start a positioning session with the H-SLP. The SUPL POS INIT message contains at least session-id, SET capabilities and Location ID (lid). The SET capabilities include the supported positioning methods (e.g., SET-Assisted A-GPS, SET-Based A-GPS) and associated positioning protocols (e.g., RRLP, RRC, TIA-801 or LPP/LPPE). The SET MAY optionally provide NMR specific for the radio technology being used (e.g., for GSM: TA, RXLEV). The SET MAY provide its position, if this is supported. The SET MAY include the first SUPL POS element in the SUPL POS INIT message. The SET MAY set the Requested Assistance Data element in the SUPL POS INIT. If a position calculated based on information received in the SUPL POS INIT message is available (e.g. a cell-id based position fix) that meets any required QoP, the H-SLC MAY directly proceed to step M and not engage in a SUPL POS session.
- H. The H-SLC sends a PINIT message to the H-SPC including session-id2, location id and SET capabilities. The H-SLC MAY include a posmethod in the PINIT. This posmethod may either be the posmethod recommended by the H-SPC in step E, or a different posmethod of the H-SLC's choosing, as long as it is one supported by the H-SPC. Based on the PINIT message including the SET capabilities, the H-SPC SHALL determine the posmethod. If a posmethod has been included in the PINIT by the H-SLC, the H-SPC SHALL use that posmethod, unless it does not meet the SET capabilities. If no posmethod parameter was included in the PINIT, the H-SPC shall choose any posmethod in line with the SET capabilities which was approved by the H-SLC in step D. If a coarse position calculated based on information received in the SUPL POS INIT message is available that meets the required QoP, the H-SPC MAY directly proceed to step L and not engage in a SUPL POS session.

- I. If the H-SPC cannot translate the lid received in step H into a coarse position, the H-SPC sends a PLREQ message to the H-SLC. The PLREQ message contains the session-id2 and the lid. This step is optional and not required if the H-SPC can perform the translation from lid into coarse position itself.
  - J. This step is conditional and only occurs if step I was performed. The H-SLC calculates a coarse position based on lid and reports the result back to the H-SPC in a PLRES message. PLRES contains the session-id2 and the posresult. If the coarse position meets the required QoP, the H-SPC MAY directly proceed to step L and not engage in a SUPL POS session.
  - K. The SET and the H-SPC exchange several successive positioning procedure messages. Thereby the positioning procedure payload (RRLP/RRC/TIA-801/LPP/LPPE) is transferred between the H-SPC and the H-SLC using PMESS messages. PMESS includes the session-id2 and the positioning procedure payload (RRLP/RRC/TIA-801/LPP/LPPE). The positioning procedure payload (RRLP/RRC/TIA-801/LPP/LPPE) is transferred between the H-SLC and the SET using SUPL POS messages (the PMESS – SUPL POS – SUPL POS – PMESS message exchange is conceptually shown in dotted lines).  
The H-SPC calculates the position estimate based on the received positioning measurements (SET-Assisted) or the SET calculates the position estimate based on assistance obtained from the H-SPC (SET-Based).
  - L. Once the position calculation is complete the H-SPC sends a PRPT message to the H-SLC. PRPT contains the session-id2, the position result if calculated in H-SPC and the number of the fix.
  - M. Once the position calculation is complete the H-SLC sends a SUPL REPORT message to the SET. The SUPL REPORT message includes the position result if the position estimate is calculated in the H-SPC and therefore needs to be sent to the SET. The SET MAY release the secure connection to the H-SLC.
- NOTE 3: steps G to M are optional and not performed for A-GPS SET Based mode in the case where no GPS assistance data is required from the network. In this case the SET autonomously calculates a position fix based on the currently available GPS assistance data stored in the SET.

Steps G to M are repeated if so required for calculating any of the remaining position estimates of the periodic triggered session. The last position estimate which – as shown in this case - requires the execution of steps G to M, is shown in steps N to T.

- U. After the last position result has been calculated, the SET ends the periodic triggered session by sending a SUPL END message to the H-SLC.
  - V. The H-SLC ends the periodic triggered session with the H-SPC by sending a PEND message. PEND contains the session-id2.
- NOTE 4: Note that for A-GPS SET Based mode where the SET calculates the position estimate based on GPS assistance data available in the SET, steps G to M are performed whenever new GPS assistance data is required by the SET.

## 6.4.2 Roaming with V-SLP Positioning Successful Case

SUPL Roaming where the V-SLP is involved in the position calculation.

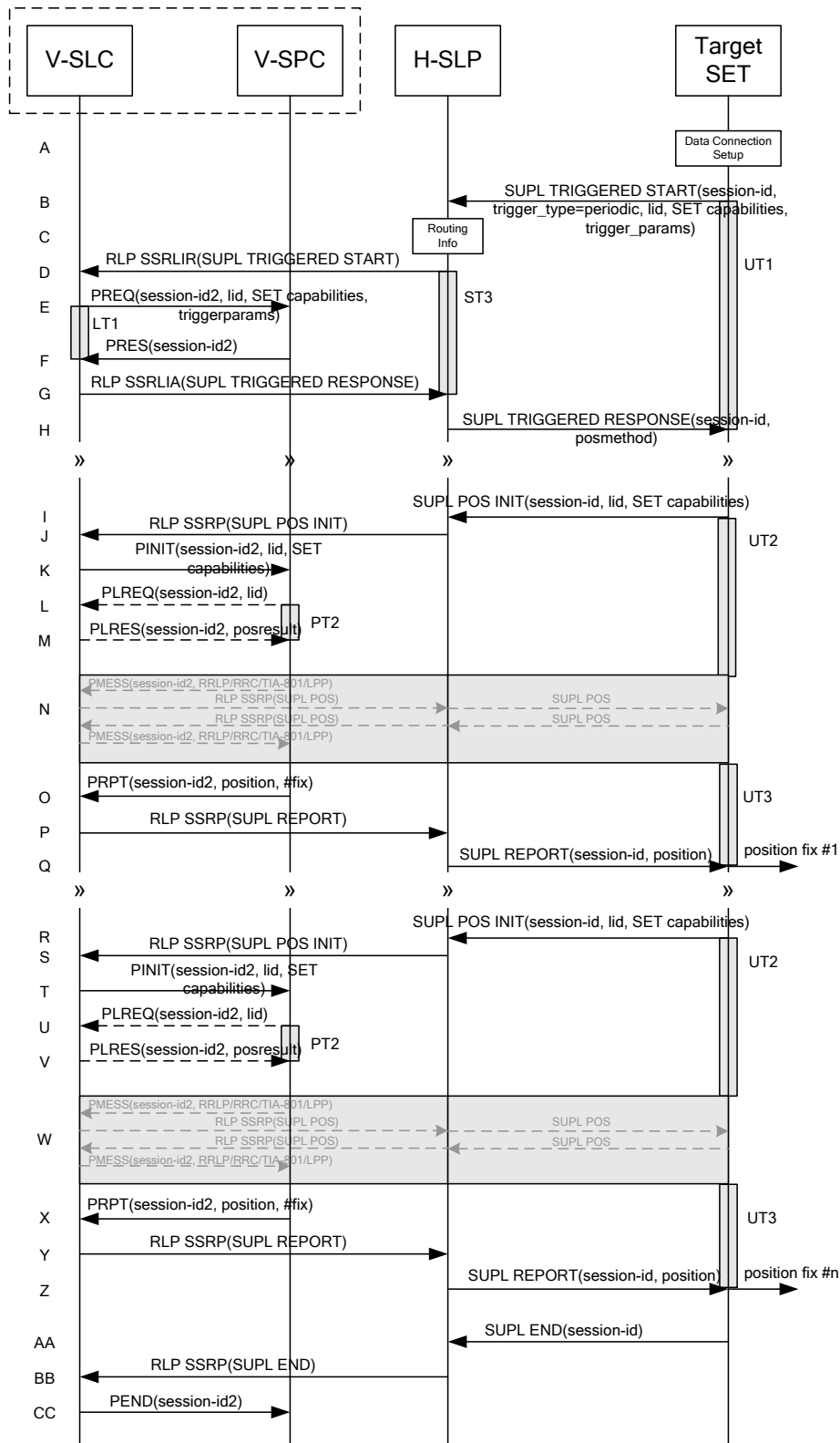


Figure 40: SET Initiated Periodic Trigger Service Roaming Successful Case – Proxy with V-SLP positioning

NOTE 1: See Appendix C for timer descriptions.

- A. The SUPL Agent on the SET receives a request for a periodic triggered service from an application running on the SET. The SET takes appropriate action establishing or resuming a secure connection.
- B. The SUPL Agent on the SET uses the default address provisioned by the Home Network to establish a secure connection to the H-SLP and sends a SUPL TRIGGERED START message to start a positioning session with the H-SLP. The SUPL TRIGGERED START message contains session-id, SET capabilities, trigger type indicator (in this case periodic), Location ID (lid) and periodic trigger parameters. The SET capabilities include the supported positioning methods (e.g., SET-Assisted A-GPS, SET-Based A-GPS) and associated positioning protocols (e.g., RRLP, RRC, TIA-801 or LPP/LPPe).
- C. The H-SLP verifies that the target SET is currently SUPL Roaming.

NOTE 2: The specifics for determining if the SET is SUPL Roaming or not is considered outside scope of SUPL 2.1. However, there are various environment dependent mechanisms.

- D. Based on the received lid or other method, the H-SLC determines the V-SLP and sends an SSRLIR SUPL TRIGGERED START message over RLP tunnel to the V-SLC.
- E. The V-SLC requests service from the V-SPC for a periodic triggered SUPL session by sending a PREQ message containing the session-id2, the SET capabilities, the triggerparams and the lid. The PREQ MAY optionally contain the QoP. The V-SLC MAY include its approved positioning methods for this session. If the approved positioning methods are not included, the V-SPC SHALL assume that all its available positioning methods have been approved.
- F. The V-SPC accepts the service request for a SUPL session from the V-SLC with a PRES message containing the session-id2. The V-SPC MAY include a preferred positioning method in the PRES. The V-SPC MAY include its supported positioning methods in the PRES.
- G. Consistent with the SUPL TRIGGERED START message including posmethod(s) supported by the SET, the V-SLC MAY determine the posmethod. If the V-SPC included a list of supported posmethods in step F, the chosen posmethod SHALL be on this list. If required for the posmethod, the V-SLC SHALL use the supported positioning protocol (e.g., RRLP, RRC, TIA-801 or LPP/LPPe) from the SUPL TRIGGERED START message. The V-SLC responds with a SUPL TRIGGERED RESPONSE tunnelled over RLP in a SSRLIA message back to the H-SLP that it is capable of supporting this request. The SUPL TRIGGERED RESPONSE contains at least the sessionid and posmethod.
- H. The H-SLP forwards the SUPL TRIGGERED RESPONSE message to the SET. The SUPL TRIGGERED RESPONSE contains the session-id but no H-SLP address, to indicate to the SET that a new connection SHALL NOT be established. The SUPL TRIGGERED RESPONSE also contains the posmethod. The SET and the H-SLP MAY release the secure connection.
- I. When the periodic trigger in the SET indicates that a position fix has to be calculated the SET takes appropriate action establishing or resuming a secure connection. The SET then sends a SUPL POS INIT message to start a positioning session with the H-SLP. The SUPL POS INIT message contains at least session-id, SET capabilities and Location ID (lid). The SET capabilities include the supported positioning methods (e.g., SET-Assisted A-GPS, SET-Based A-GPS) and associated positioning protocols (e.g., RRLP, RRC, TIA-801 or LPP/LPPe). The SET MAY optionally provide NMR specific for the radio technology being used (e.g., for GSM: TA, RXLEV). The SET MAY provide its position, if this is supported. The SET MAY include the first SUPL POS element in the SUPL POS INIT message. The SET MAY set the Requested Assistance Data element in the SUPL POS INIT. If the SUPL POS INIT message contains a position that meets any required QoP, the H-SLP MAY directly proceed to step Q.
- J. The H-SLP forwards the SUPL POS INIT message to the V-SLC over the RLP tunnel in an SSRP message. If a position calculated based on information received in the SUPL POS INIT message is available (e.g. a cell-id based position fix) that meets any required QoP, the V-SLC MAY directly proceed to step P and not engage in a SUPL POS session.
- K. The V-SLC sends a PINIT message to the V-SPC including session-id2, location id and SET capabilities. The V-SLC MAY include a posmethod in the PINIT. This posmethod may either be the posmethod recommended by the V-SPC in step F, or a different posmethod of the V-SLC's choosing, as long as it is one supported by the V-SPC.



Based on the PINIT message including the SET capabilities, the V-SPC SHALL determine the posmethod. If a posmethod has been included in the PINIT by the V-SLC, the V-SPC SHALL use that posmethod, unless it does not meet the SET capabilities. If no posmethod parameter was included in the PINIT, the V-SPC shall choose any posmethod in line with the SET capabilities which was approved by the V-SLC in step E. If a coarse position calculated based on information received in the PINIT message is available that meets the required QoP, the V-SPC MAY directly proceed to step O and not engage in a SUPL POS session.

- L. If the V-SPC cannot translate the lid received in step K into a coarse position, the V-SPC sends a PLREQ message to the V-SLC. The PLREQ message contains the session-id2 and the lid. This step is optional and not required if the V-SPC can perform the translation from lid into coarse position itself.
- M. This step is conditional and only occurs if step L was performed. The V-SLC reports the coarse position result back to the V-SPC in a PLRES message. PLRES contains the session-id2 and the posresult. If the coarse position meets the required QoP, the V-SPC MAY directly proceed to step O and not engage in a SUPL POS session.
- N. The SET and the V-SPC exchange several successive positioning procedure messages. Thereby the positioning procedure payload (RRLP/RRC/TIA-801/LPP/LPPE) is transferred between the V-SPC and the V-SLC using PMESS messages. PMESS includes the session-id2 and the positioning procedure payload (RRLP/RRC/TIA-801/LPP/LPPE). The positioning procedure payload (RRLP/RRC/TIA-801/LPP/LPPE) is transferred between the V-SLC and the H-SLC using SUPL POS over RLP tunnel messages. The positioning procedure payload (RRLP/RRC/TIA-801/LPP/LPPE) is transferred between the H-SLC and the SET using SUPL POS messages. The flow sequence PMESS – RLP SSRP(SUPL POS) – SUPL POS – SUPL POS – RLP SSRP(SUPL POS) – PMESS is conceptually shown in dotted lines. The V-SPC calculates the position estimate based on the received positioning measurements (SET-Assisted) or the SET calculates the position estimate based on assistance obtained from the V-SPC (SET-Based).
- O. Once the position calculation is complete, the V-SPC sends a PRPT message to the V-SLC. PRPT contains the session-id2, the position result if calculated in V-SPC and the number of the fix.
- P. Once the position calculation is complete, the V-SLC sends a SUPL REPORT message in an RLP tunnel using an SSRP message to the H-SLP.
- Q. The H-SLP forwards the SUPL REPORT message to the SET. The SUPL REPORT message includes the position result if the position estimate is calculated in the V-SPC and therefore needs to be sent to the SET. The SET and the H-SLP MAY release the secure connection.

NOTE 3: steps I to Q are optional and not performed for A-GPS SET Based in the case where no GPS assistance data is required from the network. In this case the SET autonomously calculates a position fix based on the currently available GPS assistance data stored in the SET.

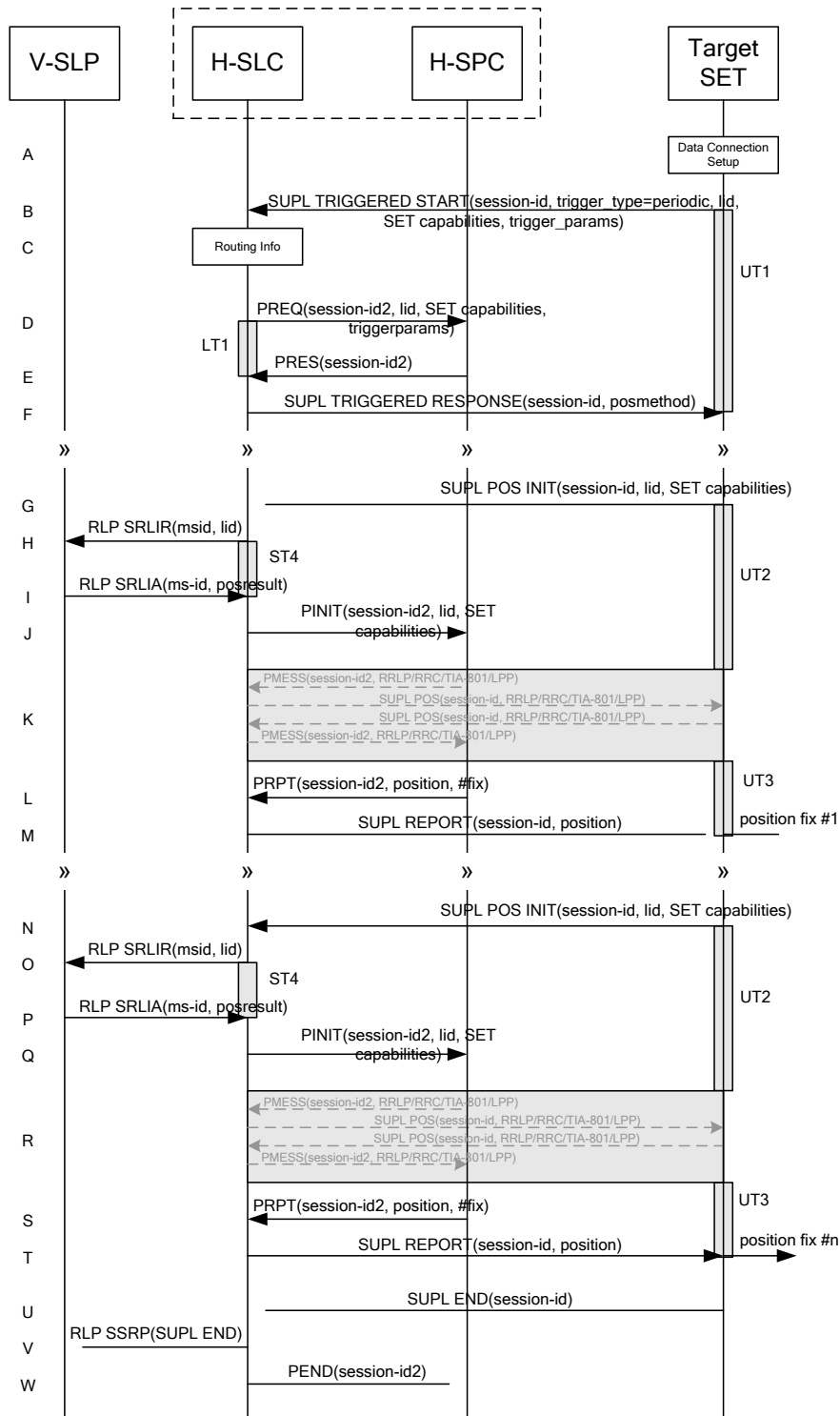
Steps I to Q are repeated if so required for calculating any of the remaining position estimates of the periodic triggered session. The last position estimate which – as shown in this case - requires the execution of steps I to Q, is shown in steps R to Z.

- AA. After the last position result has been calculated, the SET ends the periodic triggered session by sending a SUPL END message to the H-SLP.
- BB. The H-SLP informs the V-SLC about the end of the periodic triggered session by sending a SUPL END message using an RLP SSRP tunnel message to the V-SLC.
- CC. The V-SLC ends the periodic triggered session with the V-SPC by sending a PEND message. PEND contains the session-id2.

NOTE 4: Note that for A-GPS SET Based mode where the SET calculates the position estimate based on GPS assistance data available in the SET, steps I to Q are performed whenever new GPS assistance data is required by the SET.

### 6.4.3 Roaming with H-SLP Positioning Successful Case

SUPL Roaming where the H-SLP is involved in the position calculation.



**Figure 41: SET Initiated Periodic Trigger Service Roaming Successful Case – Proxy with H-SLP positioning**

NOTE 1: See Appendix C for timer descriptions.

- A. The SUPL Agent on the SET receives a request for a periodic triggered service from an application running on the SET. The SET takes appropriate action establishing or resuming a secure connection.

B. The SUPL Agent on the SET uses the default address provisioned by the Home Network to establish a secure connection to the H-SLC and sends a SUPL TRIGGERED START message to start a positioning session with the H-SLP. The SUPL TRIGGERED START message contains session-id, SET capabilities, trigger type indicator (in this case periodic), Location ID (lid) and periodic trigger parameters. The SET capabilities include the supported positioning methods (e.g., SET-Assisted A-GPS, SET-Based A-GPS) and associated positioning protocols (e.g., RRLP, RRC, TIA-801 or LPP/LPPE).

C. The H-SLC verifies that the target SET is currently SUPL Roaming.

NOTE 2: The specifics for determining if the SET is SUPL Roaming or not is considered outside scope of SUPL 2.1. However, there are various environment dependent mechanisms.

D. The H-SLC requests service from the H-SPC for a periodic triggered SUPL session by sending a PREQ message containing the session-id2, the SET capabilities, the triggerparams and the lid. The PREQ MAY optionally contain the QoP. The H-SLC MAY include its approved positioning methods for this session. If the approved positioning methods are not included, the H-SPC SHALL assume that all its available positioning methods have been approved.

E. The H-SPC accepts the service request for a SUPL session from the H-SLC with a PRES message containing the session-id2. The H-SPC MAY include a preferred positioning method in the PRES. The H-SPC MAY include its supported positioning methods in the PRES.

F. Consistent with the SUPL TRIGGERED START message including posmethod(s) supported by the SET, the H-SLC MAY determine the posmethod. If the H-SPC included a list of supported posmethods in step E, the chosen posmethod SHALL be on this list. If required for the posmethod, the H-SLC SHALL use the supported positioning protocol (e.g., RRLP, RRC, TIA-801 or LPP/LPPE) from the SUPL TRIGGERED START message. The H-SLC sends a SUPL TRIGGERED RESPONSE message to the SET. The SUPL TRIGGERED RESPONSE contains the session-id but no H-SLP address, to indicate to the SET that a new connection SHALL NOT be established. The SUPL TRIGGERED RESPONSE also contains the posmethod. The SET and the H-SLC MAY release the secure connection.

G. When the periodic trigger in the SET indicates that a position fix has to be calculated the SET takes appropriate action establishing or resuming a secure connection. The SET then sends a SUPL POS INIT message to start a positioning session with the H-SLC. The SUPL POS INIT message contains at least session-id, SET capabilities and Location ID (lid). The SET capabilities include the supported positioning methods (e.g., SET-Assisted A-GPS, SET-Based A-GPS) and associated positioning protocols (e.g., RRLP, RRC, TIA-801 or LPP/LPPE). The SET MAY optionally provide NMR specific for the radio technology being used (e.g., for GSM: TA, RXLEV). The SET MAY provide its position, if this is supported. The SET MAY include the first SUPL POS element in the SUPL POS INIT message. The SET MAY set the Requested Assistance Data element in the SUPL POS INIT. If the SUPL POS INIT message contains a position that meets any required QoP, the H-SLC MAY directly proceed to step M.

H. To obtain a coarse position based on lid received in step G, the H-SLC sends an RLP SRLIR message to the V-SLP.

I. The V-SLP translates the received lid into a position estimate and returns the result to the H-SLC in an RLP SRLIA message.  
If the position estimate meets any required QoP, the H-SLC MAY directly proceed to step M and not engage in a SUPL POS session.

J. The H-SLC sends a PINIT message to the H-SPC including session-id2, location id and SET capabilities. The H-SLC MAY include a posmethod in the PINIT. This posmethod may either be the posmethod recommended by the H-SPC in step E, or a different posmethod of the H-SLC's choosing, as long as it is one supported by the H-SPC. Based on the PINIT message including the SET capabilities, the H-SPC SHALL determine the posmethod. If a posmethod has been included in the PINIT by the H-SLC, the H-SPC SHALL use that posmethod, unless it does not meet the SET capabilities. If no posmethod parameter was included in the PINIT, the H-SPC shall choose any posmethod in line with the SET capabilities which was approved by the H-SLC in step D.

K. The SET and the H-SPC exchange several successive positioning procedure messages. Thereby the positioning procedure payload (RRLP/RRC/TIA-801/LPP/LPPE) is transferred between the H-SPC and the H-SLC using PMESS messages. PMESS includes the session-id2 and the positioning procedure payload (RRLP/RRC/TIA-

801/LPP/LPPe). The positioning procedure payload (RRLP/RRC/TIA-801/LPP/LPPe) is transferred between the H-SLC and the SET using SUPL POS messages (the PMESS – SUPL POS – SUPL POS – PMESS message exchange is conceptually shown in dotted lines).

The H-SPC calculates the position estimate based on the received positioning measurements (SET-Assisted) or the SET calculates the position estimate based on assistance obtained from the H-SPC (SET-Based).

- L. Once the position calculation is complete, the H-SPC sends a PRPT message to the H-SLC. PRPT contains the session-id2, the position result if calculated in the H-SPC and the number of the fix.
- M. Once the position calculation is complete, the H-SLC sends a SUPL REPORT message to the SET. The SUPL REPORT message includes the position result if the position estimate is calculated in the H-SLP and therefore needs to be sent to the SET. The SET MAY release the secure connection to the H-SLC.

NOTE 3: steps G to M are optional and not performed for A-GPS SET Based in the case where no GPS assistance data is required from the network. In this case the SET autonomously calculates a position fix based on the currently available GPS assistance data stored in the SET.

Steps G to M are repeated if so required for calculating any of the remaining position estimates of the periodic triggered session. The last position estimate which – as shown in this case - requires the execution of steps G to M, is shown in steps N to T.

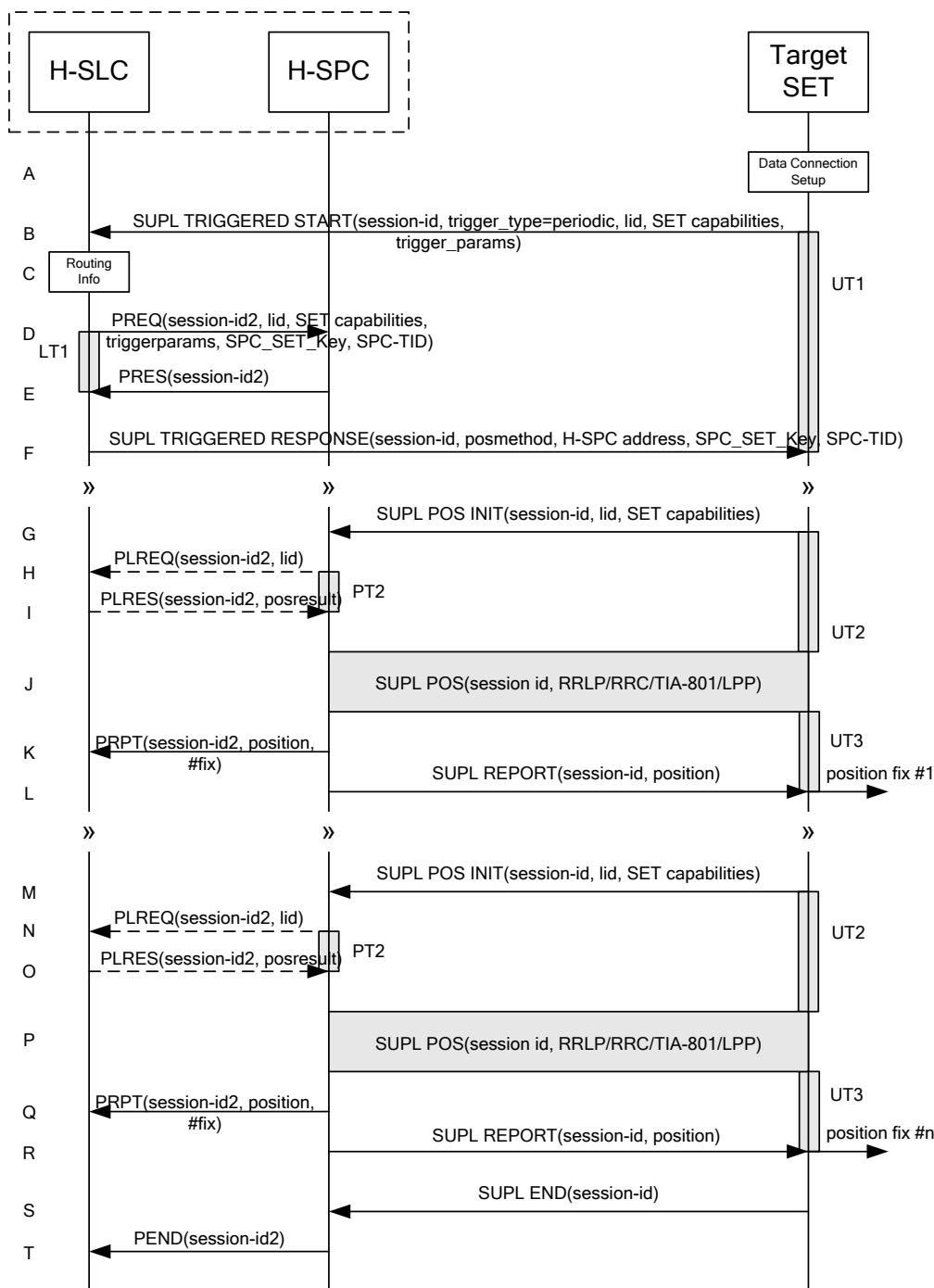
- U. After the last position result has been calculated, the SET ends the periodic triggered session by sending a SUPL END message to the H-SLC.
- V. The H-SLC informs the V-SLP about the end of the periodic triggered session by sending a SUPL END message using an RLP SSRP tunnel message to the V-SLP.
- W. The H-SLC ends the periodic triggered session with the H-SPC by sending a PEND message. PEND contains the session-id2.

NOTE 4: Note that for A-GPS SET Based mode where the SET calculates the position estimate based on GPS assistance data available in the SET, steps G to M are performed whenever new GPS assistance data is required by the SET.

## 6.5 SET Initiated – Non-Proxy mode

This section describes the SET Initiated Non-Proxy mode scenarios. It is assumed that the trigger resides in the SET.

### 6.5.1 Non-Roaming Successful Case



**Figure 42: SET Initiated Periodic Trigger Service Non-Roaming Successful Case – Non-Proxy Mode**

NOTE 1: See Appendix C for timer descriptions.

- A. The SUPL Agent on the SET receives a request for a periodic triggered service from an application running on the SET. The SET takes appropriate action establishing or resuming a secure connection.
- B. The SUPL Agent on the SET uses the default address provisioned by the Home Network to establish a secure connection to the H-SLC and sends a SUPL TRIGGERED START message to start a positioning session with the

H-SLP. The SUPL TRIGGERED START message contains session-id, SET capabilities, trigger type indicator (in this case periodic), Location ID (lid) and periodic trigger parameters. The SET capabilities include the supported positioning methods (e.g., SET-Assisted A-GPS, SET-Based A-GPS) and associated positioning protocols (e.g., RRLP, RRC, TIA-801 or LPP/LPPe).

- C. The H-SLC verifies that the target SET is currently not SUPL Roaming.

NOTE 2: The specifics for determining if the SET is SUPL Roaming or not is considered outside the scope of SUPL 2.1. However, there are various environment dependent mechanisms.

- D. The H-SLC requests service from the H-SPC for a periodic triggered SUPL session by sending a PREQ message containing the session-id2, the SET capabilities, the triggerparams and the lid. The H-SLC also creates SPC\_SET\_Key and SPC-TID to be used for mutual H-SPC/SET authentication. SPC\_SET\_Key and SPC-TID are forwarded to the H-SPC. The PREQ MAY also optionally contain the QoP. The H-SLC MAY include its approved positioning methods for this session in the PREQ. If the approved positioning methods are not included, the H-SPC SHALL assume that all its available positioning methods have been approved.
- E. The H-SPC accepts the service request for a SUPL session from the H-SLC with a PRES message containing the session-id2. The H-SPC MAY include a preferred positioning method in the PRES. The H-SPC MAY include its supported positioning methods in the PRES.
- F. Consistent with the SUPL TRIGGERED START message including the SET capabilities of the SET, the H-SLC MAY determine the posmethod. If the H-SPC included a list of supported posmethods in step E, the chosen posmethod SHALL be on this list. If required for the posmethod, the H-SLC SHALL use the supported positioning protocol (e.g., RRLP, RRC, TIA-801 or LPP/LPPe) from the SUPL TRIGGERED START message. The H-SLC SHALL respond with a SUPL TRIGGERED RESPONSE message to the SET. The SUPL TRIGGERED RESPONSE message contains session-id, posmethod, H-SPC address and SPC\_SET\_Key and SPC-TID to be used for mutual H-SPC/SET authentication. The SET and the H-SLC MAY release the secure connection.
- G. When the periodic trigger in the SET indicates that a position fix has to be calculated the SET takes appropriate action establishing or resuming a secure connection. The SET then sends a SUPL POS INIT message to start a positioning session with the H-SPC. The SUPL POS INIT message contains at least session-id, SET capabilities and Location ID (lid). The SET capabilities include the supported positioning methods (e.g., SET-Assisted A-GPS, SET-Based A-GPS) and associated positioning protocols (e.g., RRLP, RRC, TIA-801 or LPP/LPPe). The SET MAY optionally provide NMR specific for the radio technology being used (e.g., for GSM: TA, RXLEV). The SET MAY provide its position, if this is supported. The SET MAY include the first SUPL POS element in the SUPL POS INIT message. The SET MAY set the Requested Assistance Data element in the SUPL POS INIT. If a position calculated based on information received in the SUPL POS INIT message is available (e.g. a cell-id based position fix) that meets any required QoP, the H-SPC MAY directly proceed to step K and not engage in a SUPL POS session.
- H. If the H-SPC cannot translate the lid received in step G into a coarse position, the H-SPC sends a PLREQ message to the H-SLC. The PLREQ message contains the session-id2 and the lid. This step is optional and not required if the H-SPC can perform the translation from lid into coarse position itself.
- I. This step is conditional and only occurs if step H was performed. The H-SLC reports the coarse position result back to the H-SPC in a PLRES message. PLRES contains the session-id2 and the posresult. If the coarse position meets the required QoP, the H-SPC MAY directly proceed to step K and not engage in a SUPL POS session.
- J. Based on the SUPL POS INIT message including posmethod(s) supported by the SET the H-SPC SHALL determine the posmethod. If the H-SLC included its approved positioning methods in step D, the H-SPC SHALL only choose an approved method. The SET and the H-SPC exchange several successive positioning procedure messages. The H-SPC calculates the position estimate based on the received positioning measurements (SET-Assisted) or the SET calculates the position estimate based on assistance data obtained from the H-SPC (SET-Based).
- K. The H-SPC may optionally inform the H-SLC about the position fix or assistance data delivery process performed in step J. To this end the H-SPC sends a PRPT message to the H-SLC. PRPT contains at least session-id2.

- L. Once the position calculation is complete the H-SPC sends a SUPL REPORT message to the SET. The SUPL REPORT message includes the position result if the position estimate is calculated in the H-SPC and therefore needs to be sent to the SET. The SET MAY release the secure connection to the H-SPC.

NOTE 3: steps G to L are optional and not performed for A-GPS SET Based in the case where no GPS assistance data is required from the network. In this case the SET autonomously calculates a position fix based on the currently available GPS assistance data stored in the SET.

Steps G to L are repeated if so required for calculating any of the remaining position estimates of the periodic triggered session. The last position estimate which – as shown in this case - requires the execution of steps G to L, is shown in steps M to R.

- S. After the last position result has been calculated, the SET ends the periodic triggered session by sending a SUPL END message to the H-SPC.
- T. The H-SPC informs the H-SLC through a PEND message that the periodic triggered session has ended. PEND contains session-id2.

NOTE 4: Note that for A-GPS SET Based mode where the SET calculates the position estimate based on GPS assistance data available in the SET, steps G to L are performed whenever new GPS assistance data is required by the SET.

## 6.5.2 Roaming with V-SPC Positioning Successful Case

SUPL Roaming where the V-SPC is involved in the position calculation.

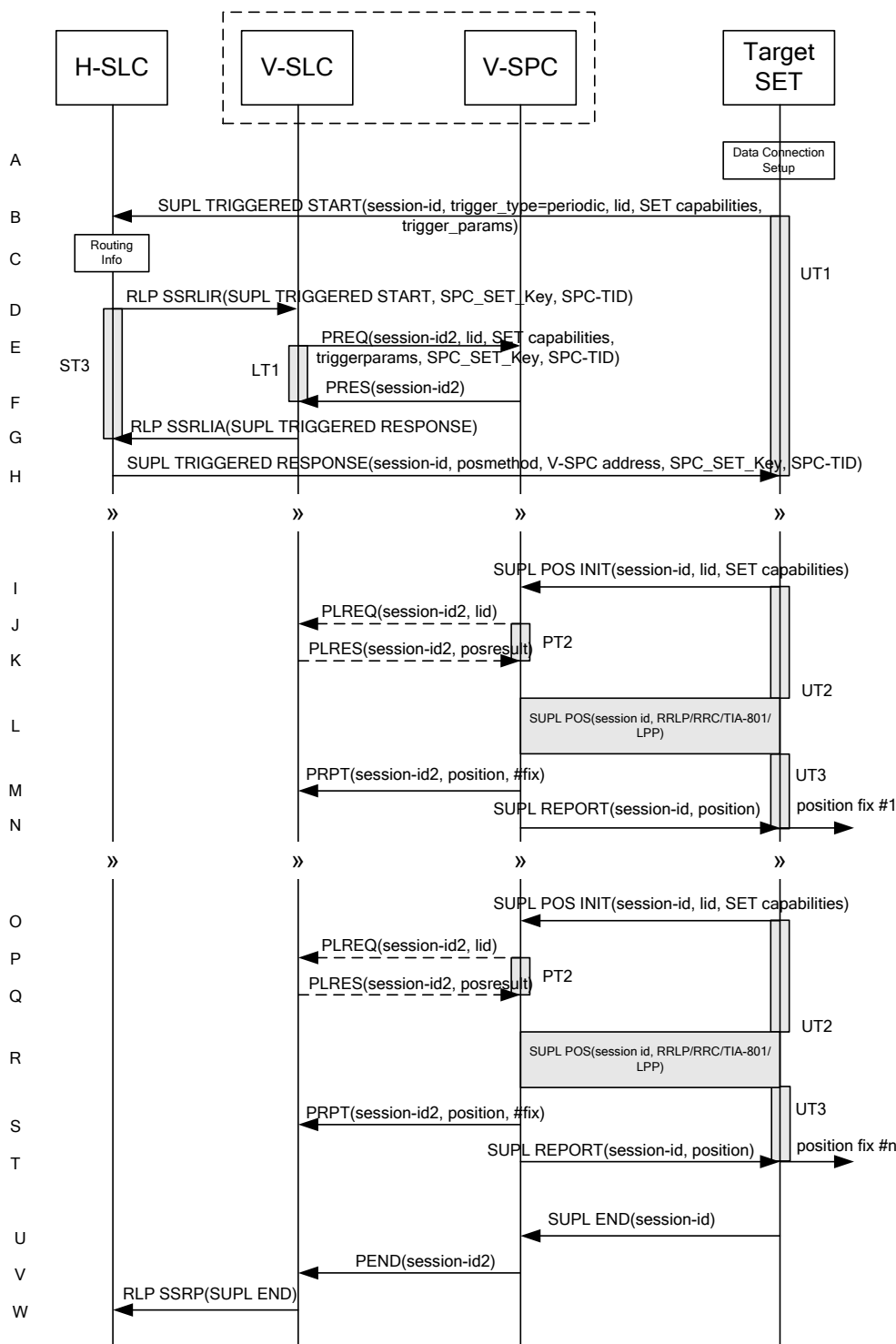


Figure 43: SET Initiated Periodic Trigger Service Roaming Successful Case – Non-Proxy with V-SPC positioning

NOTE 1: See Appendix C for timer descriptions.

- A. The SUPL Agent on the SET receives a request for a periodic triggered service from an application running on the SET. The SET takes appropriate action establishing or resuming a secure connection.
- B. The SUPL Agent on the SET uses the default address provisioned by the Home Network to establish a secure connection to the H-SLC and sends a SUPL TRIGGERED START message to start a positioning session with the



H-SLP. The SUPL TRIGGERED START message contains session-id, SET capabilities, trigger type indicator (in this case periodic), Location ID (lid) and periodic trigger parameters. The SET capabilities include the supported positioning methods (e.g., SET-Assisted A-GPS, SET-Based A-GPS) and associated positioning protocols (e.g., RRLP, RRC, TIA-801 or LPP/LPPe).

C. The H-SLC verifies that the target SET is currently SUPL Roaming.

NOTE 2: The specifics for determining if the SET is SUPL Roaming or not is considered outside scope of SUPL 2.1. However, there are various environment dependent mechanisms.

- D. Based on the received lid or other mechanisms, the H-SLC determines the V-SLP and sends an RLP SSRLIR including a SUPL TRIGGERED START message to the V-SLC to inform the V-SLP that a periodic triggered session is in the progress of being initiated. The H-SLC also creates SPC\_SET\_Key and SPC-TID to be used for mutual V-SPC/SET authentication and sends it to the V-SLC as part of the RLP SSRLIR message.
- E. The V-SLC requests service from the V-SPC for a periodic triggered SUPL session by sending a PREQ message containing the session-id2, the SET capabilities, the triggerparams and the lid. The PREQ MAY also optionally contain the QoP. PREQ also contains SPC\_SET\_Key and SPC-TID for mutual V-SPC/SET authentication. The V-SLC MAY include its approved positioning methods for this session in the PREQ. If the approved positioning methods are not included, the V-SPC SHALL assume that all its available positioning methods have been approved.
- F. The V-SPC accepts the service request for a SUPL session from the V-SLC with a PRES message containing the session-id2. The V-SPC MAY include a preferred positioning method in the PRES. The V-SPC MAY include its supported positioning methods in the PRES.
- G. Consistent with the SUPL TRIGGERED START message including posmethod(s) supported by the SET, the V-SLC MAY determine the posmethod. If the V-SPC included a list of supported posmethods in step F, the chosen posmethod SHALL be on this list. If required for the posmethod, the V-SLC SHALL use the supported positioning protocol (e.g., RRLP, RRC, TIA-801 or LPP/LPPe) from the SUPL TRIGGERED START message. The V-SLC responds with a SUPL TRIGGERED RESPONSE tunnelled over RLP in a SSRLIA message back to the H-SLC that it is capable of supporting this request. The SUPL TRIGGERED RESPONSE contains at least the sessionid, posmethod and the V-SPC address.
- H. The H-SLC sends a SUPL TRIGGERED RESPONSE message to the SET. The SUPL TRIGGERED RESPONSE message contains session-id, posmethod, V-SPC address and SPC\_SET\_Key and SPC-TID. The SET and the H-SLC MAY release the secure connection.
- I. When the periodic trigger in the SET indicates that a position fix has to be calculated the SET takes appropriate action establishing or resuming a secure connection. The SET then sends a SUPL POS INIT message to start a positioning session with the V-SPC. The SUPL POS INIT message contains at least session-id, SET capabilities and Location ID (lid). The SET capabilities include the supported positioning methods (e.g., SET-Assisted A-GPS, SET-Based A-GPS) and associated positioning protocols (e.g., RRLP, RRC, TIA-801 or LPP/LPPe). The SET MAY optionally provide NMR specific for the radio technology being used (e.g., for GSM: TA, RXLEV). The SET MAY provide its position, if this is supported. The SET MAY include the first SUPL POS element in the SUPL POS INIT message. The SET MAY set the Requested Assistance Data element in the SUPL POS INIT. If a position calculated based on information received in the SUPL POS INIT message is available (e.g. a cell-id based position fix) that meets any required QoP, the V-SPC MAY directly proceed to step M and not engage in a SUPL POS session.
- J. If the V-SPC cannot translate the lid received in step I into a coarse position, the V-SPC sends a PLREQ message to the V-SLC. The PLREQ message contains the session-id2 and the lid. This step is optional and not required if the V-SPC can perform the translation from lid into coarse position itself.
- K. This step is conditional and only occurs if step J was performed. The V-SLC reports the coarse position result back to the V-SPC in a PLRES message. PLRES contains the session-id2 and the posresult. If the coarse position meets the required QoP, the V-SPC MAY directly proceed to step M and not engage in a SUPL POS session.
- L. Based on the SUPL POS INIT message including posmethod(s) supported by the SET the V-SPC SHALL determine the posmethod. If the V-SLC included its approved positioning methods in step E, the V-SPC SHALL only choose

an approved method. The SET and the V-SPC exchange several successive positioning procedure messages. The V-SPC calculates the position estimate based on the received positioning measurements (SET-Assisted) or the SET calculates the position estimate based on assistance data obtained from the V-SPC (SET-Based).

- M. The V-SPC may optionally inform the V-SPC about the position fix or assistance data delivery process performed in step L. To this end the V-SPC sends a PRPT message to the V-SLC. PRPT contains at least session-id2.
- N. Once the position calculation is complete, the V-SPC sends a SUPL REPORT message to the SET. The SUPL REPORT message includes the position result if the position estimate is calculated in the V-SPC and therefore needs to be sent to the SET. The SET and the V-SPC MAY release the secure connection.

NOTE 3: steps I to N are optional and not performed for A-GPS SET Based in the case where no GPS assistance data is required from the network. In this case the SET autonomously calculates a position fix based on the currently available GPS assistance data stored in the SET.

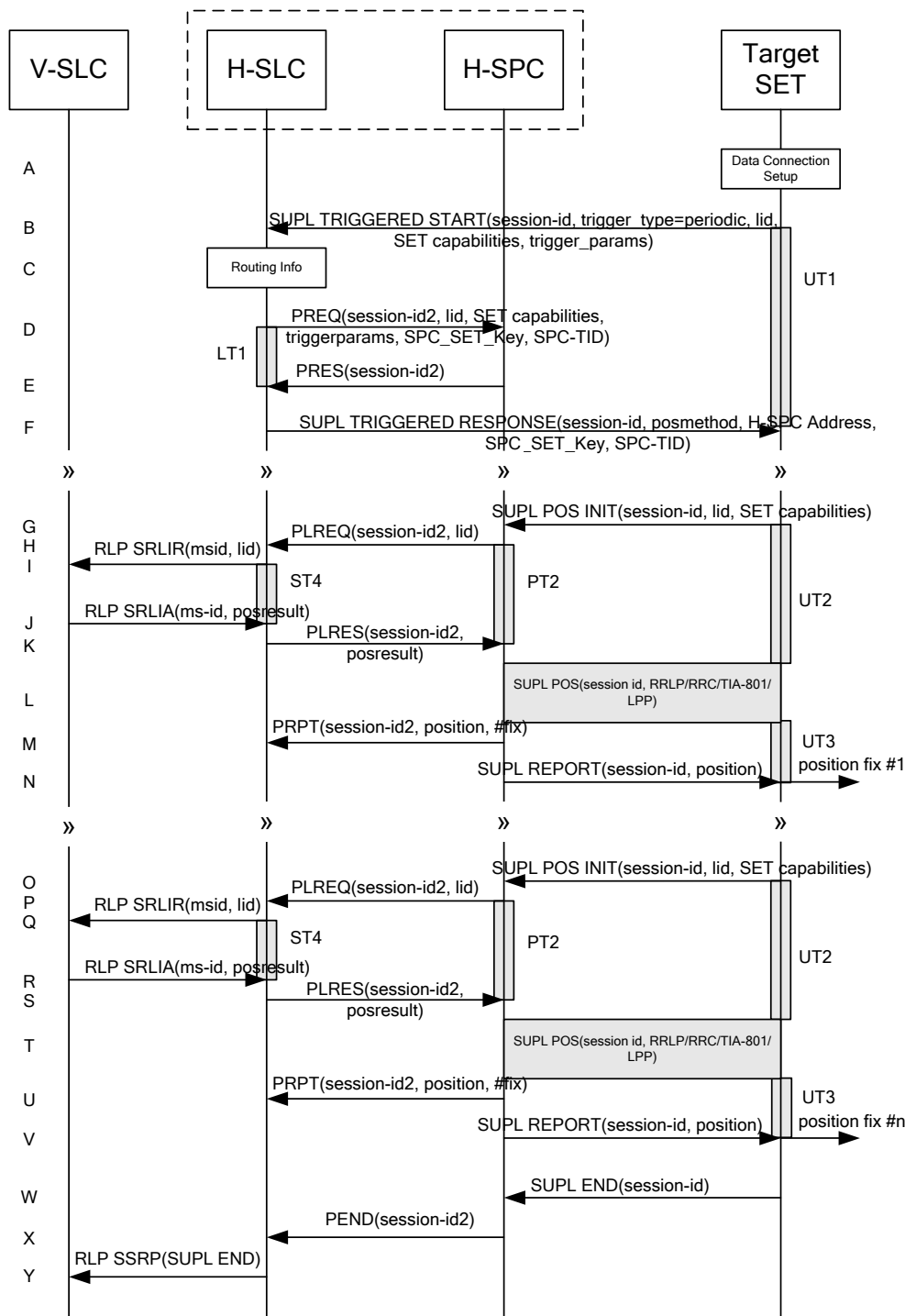
Steps I to N are repeated if so required for calculating any of the remaining position estimates of the periodic triggered session. The last position estimate which – as shown in this case - requires the execution of steps I to N, is shown in steps O to T.

- U. After the last position result has been calculated, the SET ends the periodic triggered session by sending a SUPL END message to the V-SPC.
- V. The V-SPC informs the V-SLC through a PEND message that the periodic triggered session has ended. PEND contains session-id2.
- W. The V-SLC informs the H-SLC about the end of the periodic triggered session by sending a SUPL END message using an RLP SSRP tunnel message to the H-SLC.

NOTE 4: Note that for A-GPS SET Based mode where the SET calculates the position estimate based on GPS assistance data available in the SET, steps I to N are performed whenever new GPS assistance data is required by the SET.

### 6.5.3 Roaming with H-SPC Positioning Successful Case

SUPL Roaming where the H-SPC is involved in the position calculation.



**Figure 44: SET Initiated Periodic Trigger Service Roaming Successful Case – Non-Proxy with H-SPC positioning**

NOTE 1: See Appendix C for timer descriptions.

- A. The SUPL Agent on the SET receives a request for a periodic triggered service from an application running on the SET. The SET takes appropriate action establishing or resuming a secure connection.
- B. The SUPL Agent on the SET uses the default address provisioned by the Home Network to establish a secure connection to the H-SLC and sends a SUPL TRIGGERED START message to start a positioning session with the H-SLP. The SUPL TRIGGERED START message contains session-id, SET capabilities, trigger type indicator (in

this case periodic), Location ID (lid) and periodic trigger parameters. The SET capabilities include the supported positioning methods (e.g., SET-Assisted A-GPS, SET-Based A-GPS) and associated positioning protocols (e.g., RRLP, RRC, TIA-801 or LPP/LPPe).

C. The H-SLC verifies that the target SET is currently SUPL Roaming.

NOTE 2: The specifics for determining if the SET is SUPL Roaming or not is considered outside scope of SUPL 2.1. However, there are various environment dependent mechanisms.

- D. The H-SLC requests service from the H-SPC for a periodic triggered SUPL session by sending a PREQ message containing the session-id2, the SET capabilities, the triggerparams and the lid. The H-SLC also creates SPC\_SET\_Key and SPC-TID to be used for mutual H-SPC/SET authentication. SPC\_SET\_Key and SPC-TID are forwarded to the H-SPC. The PREQ MAY also optionally contain the QoP. The H-SLC MAY include its approved positioning methods for this session in the PREQ. If the approved positioning methods are not included, the H-SPC SHALL assume that all its available positioning methods have been approved.
- E. The H-SPC accepts the service request for a SUPL session from the H-SLC with a PRES message containing the session-id2. The H-SPC MAY include a preferred positioning method in the PRES. The H-SPC MAY include its supported positioning methods in the PRES.
- F. Consistent with the SUPL TRIGGERED START message including posmethod(s) supported by the SET, the H-SLC MAY determine the posmethod. If the H-SPC included a list of supported posmethods in step E, the chosen posmethod SHALL be on this list. If required for the posmethod, the H-SLC SHALL use the supported positioning protocol (e.g., RRLP, RRC, TIA-801 or LPP/LPPe) from the SUPL TRIGGERED START message. The H-SLC sends a SUPL TRIGGERED RESPONSE message to the SET. The SUPL TRIGGERED RESPONSE message contains session-id, posmethod, H-SPC address and SPC\_SET\_Key and SPC-TID for mutual H-SPC/SET authentication. The SET and the H-SLC MAY release the secure connection.
- G. When the periodic trigger in the SET indicates that a position fix has to be calculated the SET takes appropriate action establishing or resuming a secure connection. The SET then sends a SUPL POS INIT message to start a positioning session with the H-SPC. The SUPL POS INIT message contains at least session-id, SET capabilities and Location ID (lid). The SET capabilities include the supported positioning methods (e.g., SET-Assisted A-GPS, SET-Based A-GPS) and associated positioning protocols (e.g., RRLP, RRC, TIA-801 or LPP/LPPe). The SET MAY optionally provide NMR specific for the radio technology being used (e.g., for GSM: TA, RXLEV). The SET MAY provide its position, if this is supported. The SET MAY include the first SUPL POS element in the SUPL POS INIT message. The SET MAY set the Requested Assistance Data element in the SUPL POS INIT. If the SUPL POS INIT message contains a position that meets any required QoP, the H-SPC MAY directly proceed to step M.
- H. The H-SPC sends a PLREQ message to the H-SLC to request translation of the received lid into a coarse position. The PLREQ message contains the session-id2 and the lid.
- I. To obtain a coarse position the H-SLC sends an RLP SRLIR message to the V-SLP.
- J. The V-SLC translates the received lid into a position estimate and returns the result to the H-SLC in an RLP SRLIA message.
- K. The H-SLC reports the coarse position result back to the H-SPC in a PLRES message. PLRES contains the session-id2 and the posresult. If the coarse position meets any required QoP, the H-SPC MAY directly proceed to step M and not engage in a SUPL POS session.
- L. Based on the SUPL POS INIT message including posmethod(s) supported by the SET the H-SPC SHALL determine the posmethod. If the H-SLC included its approved positioning methods in step D, the H-SPC SHALL only choose an approved method. The SET and the H-SPC exchange several successive positioning procedure messages. The H-SPC calculates the position estimate based on the received positioning measurements (SET-Assisted) or the SET calculates the position estimate based on assistance data obtained from the H-SPC (SET-Based).
- M. The H-SPC may optionally inform the H-SLC about the position fix or assistance data delivery process performed in step L. To this end the H-SPC sends a PRPT message to the H-SLC. PRPT contains at least session-id2.

- N. Once the position calculation is complete, the H-SPC sends a SUPL REPORT message to the SET. The SUPL REPORT message includes the position result if the position estimate is calculated in the H-SPC and therefore needs to be sent to the SET. The SET and the H-SPC MAY release the secure connection.

NOTE 3: steps G to N are optional and not performed for A-GPS SET Based in the case where no GPS assistance data is required from the network. In this case the SET autonomously calculates a position fix based on the currently available GPS assistance data stored in the SET.

Steps G to N are repeated if so required for calculating any of the remaining position estimates of the periodic triggered session. The last position estimate which – as shown in this case - requires the execution of steps G to N, is shown in steps O to V.

- W. After the last position result has been calculated, the SET ends the periodic triggered session by sending a SUPL END message to the H-SPC.
- X. The H-SPC informs the H-SLC through a PEND message that the periodic triggered session has ended. PEND contains session-id2.
- Y. The H-SLC informs the V-SLC about the end of the periodic triggered session by sending a SUPL END message using an RLP SSRP tunnel message to the V-SLC.

NOTE 4: Note that for A-GPS SET Based mode where the SET calculates the position estimate based on GPS assistance data available in the SET, steps G to N are performed whenever new GPS assistance data is required by the SET.

## 6.6 SET Initiated Periodic Location Request with Transfer to 3<sup>rd</sup> Party – Proxy mode

This section describes the flows for SET Initiated Periodic Location Requests with transfer of the position results to a 3<sup>rd</sup> party.

### 6.6.1 Non-Roaming Successful Case

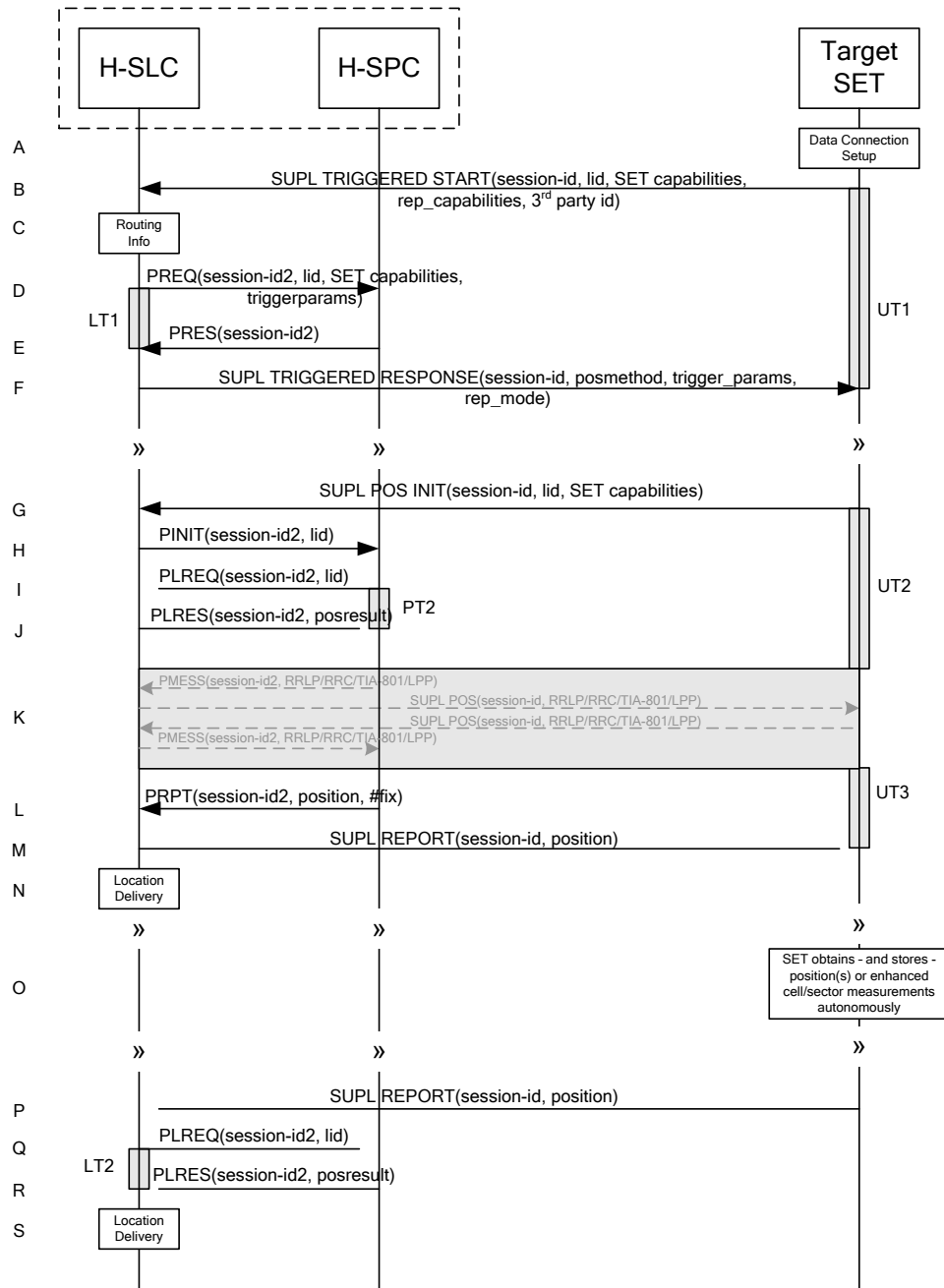
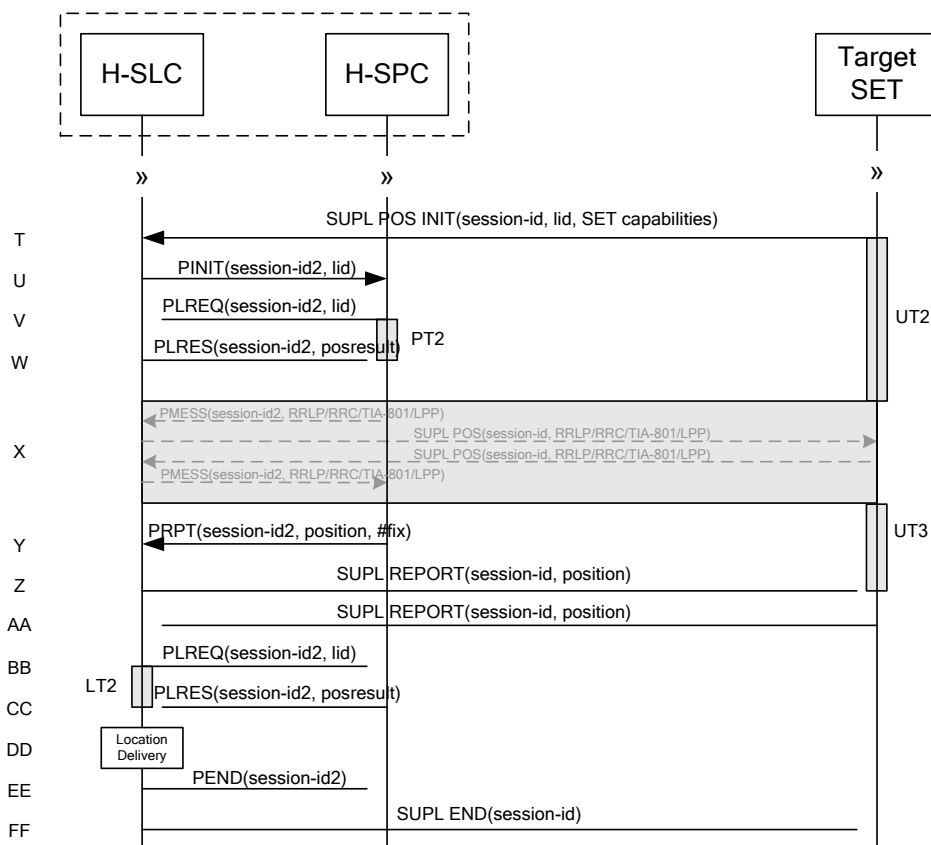


Figure 45: SET Periodic Trigger Service Non-Roaming Successful Case – Proxy Mode (Part I)



**Figure 46: SET Periodic Trigger Service Non-Roaming Successful Case – Proxy Mode (Part II)**

NOTE 1: See Appendix C for timer descriptions.

- A. The SUPL Agent on the SET receives a request for a periodic triggered service with transfer to a 3<sup>rd</sup> party from an application running on the SET. The SET takes appropriate action establishing or resuming a secure connection.
- B. The SUPL Agent on the SET uses the default address provisioned by the Home Network to establish a secure connection to the H-SLC and sends a SUPL TRIGGERED START message to start a positioning session with the H-SLP. The SUPL TRIGGERED START message contains session-id, SET capabilities, trigger type indicator (in this case periodic), Location ID (lid), periodic trigger parameters and Third Party ID. The SET capabilities include the supported positioning methods (e.g., SET-Assisted A-GPS, SET-Based A-GPS) and associated positioning protocols (e.g., RRLP, RRC, TIA-801 or LPP/LPPE).
- C. The H-SLC verifies that the target SET is currently not SUPL Roaming.

NOTE 2: The specifics for determining if the SET is SUPL Roaming or not is considered outside the scope of SUPL 2.1. However, there are various environment dependent mechanisms.

- D. The H-SLC requests service from the H-SPC for a periodic triggered SUPL session by sending a PREQ message containing the session-id2, the SET capabilities, the triggerparams and the lid. The PREQ MAY also optionally contain the QoP. The H-SLC MAY include its approved positioning methods for this session. If the approved positioning methods are not included, the H-SPC SHALL assume that all its available positioning methods have been approved.
- E. The H-SPC accepts the service request for a SUPL session from the H-SLC with a PRES message containing the session-id2. The H-SPC MAY include a preferred positioning method in the PRES. The H-SPC MAY include its supported positioning methods in the PRES.

- F. Consistent with the SUPL TRIGGERED START message including the SET capabilities of the SET, the H-SPC MAY determine the posmethod. If the H-SPC included a list of supported posmethods in step E, the chosen posmethod SHALL be on this list. If required for the posmethod, the H-SLP SHALL use the supported positioning protocol (e.g., RRLP, RRC, TIA-801 or LPP/LPPe) from the SUPL TRIGGERED START message. The H-SLC SHALL respond with a SUPL TRIGGERED RESPONSE message to the SET. The SUPL TRIGGERED RESPONSE contains the session-id but no H-SLC address, to indicate to the SET that a new connection SHALL NOT be established. The SUPL TRIGGERED RESPONSE also contains the posmethod. The SET and the H-SLC MAY release the secure connection.
- G. When the periodic trigger in the SET indicates that a position fix has to be performed, the SET takes appropriate action establishing or resuming a secure connection. The SET then sends a SUPL POS INIT message to start a positioning session with the H-SLP. The SUPL POS INIT message contains at least session-id and the Location ID (lid) and the SET capabilities parameter. The SET MAY provide NMR specific for the radio technology being used (e.g., for GSM: TA, RXLEV). The SET MAY provide its position, if this is supported. The SET MAY set the Requested Assistance Data element in the SUPL POS INIT.  
If a position calculated based on information received in the SUPL POS INIT message is available (e.g. a cell-id based position fix) that meets any required QoP, the H-SLC MAY directly proceed to step M and not engage in a SUPL POS session.
- H. The H-SLC sends a PINIT message to the H-SPC including session-id2, location id and SET capabilities. The H-SLC MAY include a posmethod in the PINIT. This posmethod may either be the posmethod recommended by the H-SPC in step E, or a different posmethod of the H-SLC's choosing, as long as it is one supported by the H-SPC. Based on the PINIT message including the SET capabilities, the H-SPC SHALL determine the posmethod. If a posmethod has been included in the PINIT by the H-SLC, the H-SPC SHALL use that posmethod, unless it does not meet the SET capabilities. If no posmethod parameter was included in the PINIT, the H-SPC shall choose any posmethod in line with the SET capabilities which was approved by the H-SLC in step D. If a coarse position calculated based on information received in the PINIT message is available that meets the required QoP, the H-SPC MAY directly proceed to step L and not engage in a SUPL POS session.
- I. If the H-SPC cannot translate the lid received in step H into a coarse position, the H-SPC sends a PLREQ message to the H-SLC. The PLREQ message contains the session-id2 and the lid. This step is optional and not required if the H-SPC can perform the translation from lid into coarse position itself.
- J. This step is conditional and only occurs if step I was performed. The H-SLC calculates a coarse position based on lid and reports the result back to the H-SPC in a PLRES message. PLRES contains the session-id2 and the posresult. If the coarse position meets the required QoP, the H-SPC MAY directly proceed to step L and not engage in a SUPL POS session.
- K. The SET and the H-SLP exchange several successive positioning procedure messages. Thereby the positioning procedure payload (RRLP/RRC/TIA-801/LPP/LPPe) is transferred between the H-SPC and the H-SLC using PMESS messages. PMESS includes the session-id2 and the positioning procedure payload (RRLP/RRC/TIA-801/LPP/LPPe). The positioning procedure payload (RRLP/RRC/TIA-801/LPP/LPPe) is transferred between the H-SLC and the SET using SUPL POS messages (the PMESS – SUPL POS – SUPL POS – PMESS message exchange is conceptually shown in dotted lines). The H-SPC calculates the position estimate based on the received positioning measurements (SET-Assisted) or the SET calculates the position estimate based on assistance obtained from the H-SPC (SET-Based).
- L. Once the position calculation is complete the H-SPC sends a PRPT message to the H-SLC. PRPT contains the session-id2, the position result if calculated in H-SPC and the number of the fix.
- M. The H-SLC sends the SUPL REPORT message to the SET informing it that the positioning procedure is completed. The SET MAY release the secure connection to the H-SLP. If the reporting mode is batch reporting, the SET stores all calculated position estimates. In SET Assisted mode the position is calculated by the H-SLP and therefore needs to be included in the message for batch reporting mode.

If a SET Based positioning method was chosen which allows the SET to autonomously calculate a position estimate (e.g. autonomous GPS or A-GPS SET Based mode where the SET has current GPS assistance data and does not require an assistance data update from the H-SLP) steps G to H are not performed. Instead, the SET autonomously



calculates the position estimate and – for real time or quasi-real time reporting – sends the calculated position estimate to the H-SLP using a SUPL REPORT message containing the session-id and the position estimate.

- N. This step is optional: Once the position calculation is complete and if real time or quasi-real time reporting is used, the H-SLC delivers the position estimate(s) to the 3<sup>rd</sup> party. If the reporting mode is set to batch reporting, this message is not used.
- O. This step is optional: If the SET cannot communicate with the H-SLP (e.g. no radio coverage available) and quasi-real time reporting is used or if batch reporting is used, the SET MAY – if supported - perform SET Based position fixes (autonomous GPS or SET Based A-GPS where the SET has current assistance data) and/or, if allowed by the H-SLP, enhanced cell/sector measurements. In the case of batch reporting, and if explicitly allowed by the H-SLP, enhanced cell/sector measurements are permitted even when the SET can communicate with the H-SLP.
- P. This step is optional and is executed if batch reporting is used and if any of the conditions for sending batch reports have occurred. It is also executed, once the SET is able to re-establish communication with the H-SLP, if quasi-real time reporting is used if one or more previous reports have been missed. The SET sends the stored position estimates and/or, if allowed, the stored enhanced cell/sector measurements in an unsolicited SUPL REPORT message to the H-SLC. The SUPL REPORT message contains the session-id and the position result(s) including date and time information for each position result and optionally the position method used. In the case of batch reporting, the stored position estimates and/or enhanced cell/sector measurements included in the SUPL REPORT message may be chosen according to criteria received in step F. If no criteria are received in step F, the SET shall include all stored position estimates and/or enhanced cell/sector measurements not previously reported.
- Q. This step is optional: if the SUPL REPORT message in step P contained enhanced cell/sector measurements and the H-SPC is required to translate the received enhanced cell/sector measurements into position estimates, the H-SLC sends a PLREQ message to the H-SPC. The PLREQ message contains the session-id2 and the enhanced cell/sector measurements received in step P.
- R. This step is conditional and only used if step Q occurred: the H-SPC returns the calculated position estimates to the H-SLC in a PLRES message. PLRES contains session-id2 and the position results.
- S. The H-SLC delivers the position estimate(s) to the 3<sup>rd</sup> party.

When the last position estimate needs to be calculated i.e. the end of the periodic triggered session has been reached, steps T to Z may be performed (a repeat of steps G to M). Alternatively - and if applicable - step O is repeated.

- AA. This step is optional and is executed after the last position estimate or, if allowed, last set of enhanced cell/sector measurements has been obtained or was due, and at any time up until step EE, if and as soon as all the following conditions apply:
  - i. Batch reporting or quasi-real time reporting is used.
  - ii. The SET has stored historic location reports and/or stored historic enhanced cell/sector measurements that have not yet been sent to the H-SLC.
  - iii. The SET is able to establish communication with the H-SLP
  - iv. In the case of batch reporting, the conditions for sending have arisen (e.g. the conditions define sending after the last position estimate is obtained).

The SUPL REPORT message is used to send all or a subset of stored position fixes and/or stored enhanced cell/sector measurements not previously reported to the H-SLC. In the case of batch reporting, the stored position estimates and/or stored enhanced cell/sector measurements included in the SUPL REPORT message may be chosen according to criteria received in step F. If no criteria are received in step F, the SET shall include all stored position estimates and/or stored enhanced cell/sector measurements not previously reported.

- BB. This step is optional: if the SUPL REPORT message in step AA contained enhanced cell/sector measurements and the H-SPC is required to translate the received enhanced cell/sector measurements into position estimates, the H-SLC sends a PLREQ message to the H-SPC. The PLREQ message contains the session-id2 and the enhanced cell/sector measurements received in step AA.

- CC. This step is conditional and only used if step BB occurred: the H-SPC returns the calculated position estimates to the H-SLC in a PLRES message. PLRES contains session-id2 and the position results.
- DD. The H-SLC delivers the reported and/or calculated historical position estimate(s) to the 3<sup>d</sup> party.
- EE. After the last position result has been reported to the 3<sup>rd</sup> party in step DD or following some timeout on not receiving stored position estimates in step AA, the H-SLC informs the H-SPC about the end of the periodic triggered session by sending a PEND message. PEND contains session-id2.
- FF. The H-SLC ends the periodic triggered session by sending a SUPL END message to the SET.

### 6.6.2 Roaming with V-SLP Positioning Successful Case

SUPL Roaming where the V-SLP is involved in the position calculation.

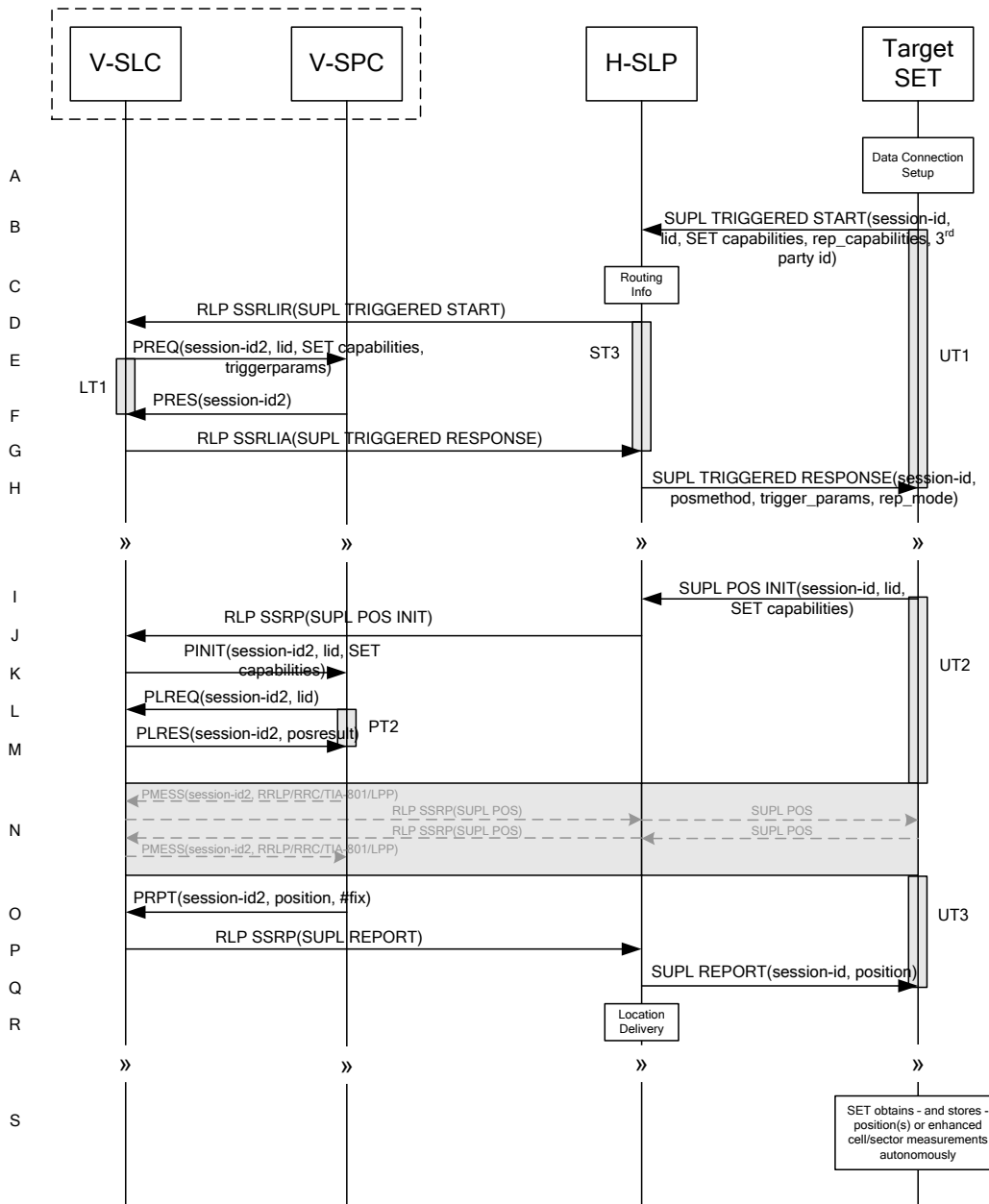


Figure 47: SET Initiated Periodic Trigger Service Roaming Successful Case – Proxy with V-SLP positioning (Part I)

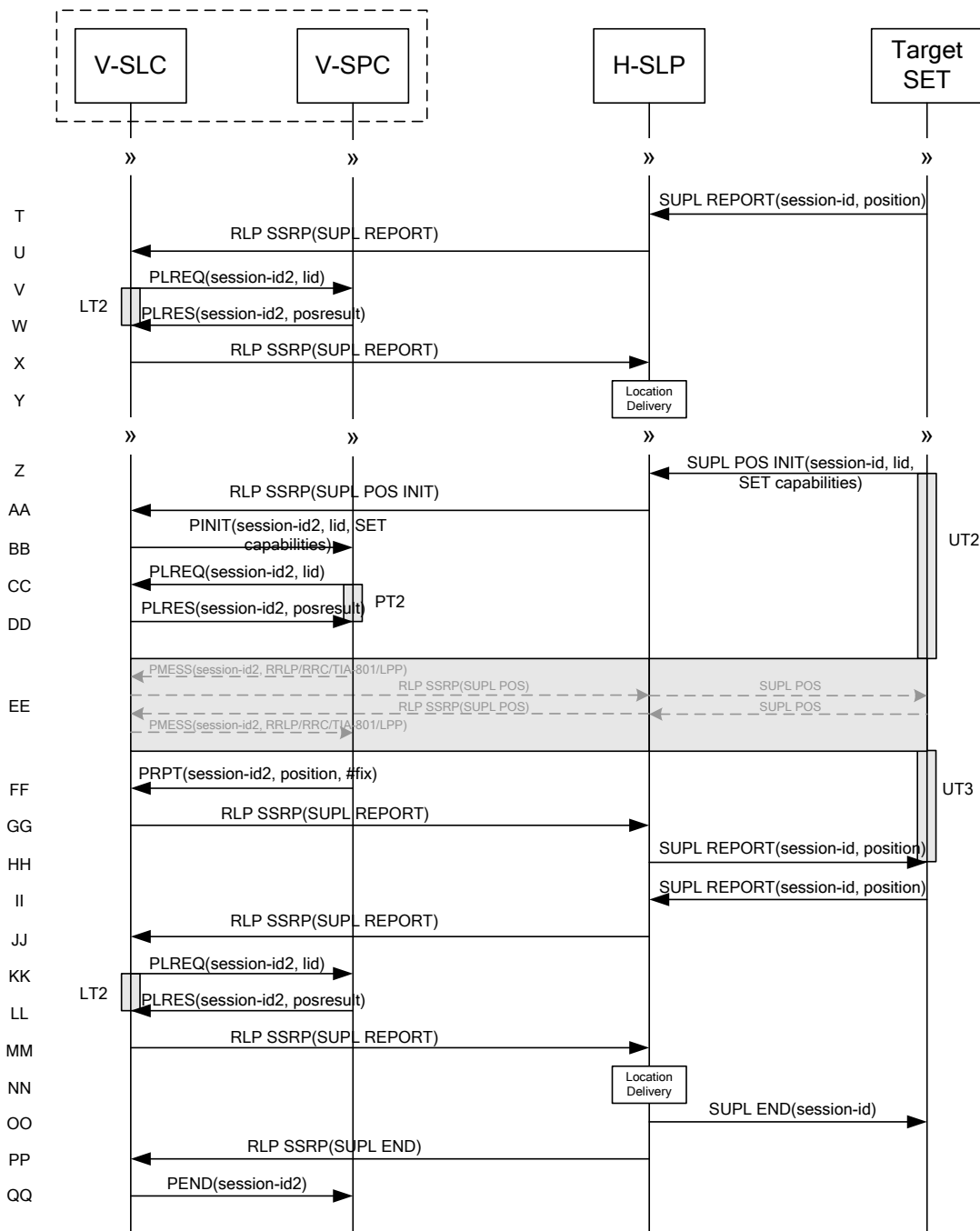


Figure 48: SET Initiated Periodic Trigger Service Roaming Successful Case – Proxy with V-SLP positioning (Part II)

NOTE 1: See Appendix C for timer descriptions.

- A. The SUPL Agent on the SET receives a request for a periodic triggered service with transfer to a 3<sup>rd</sup> party from an application running on the SET. The SET takes appropriate action establishing or resuming a secure connection.
- B. The SUPL Agent on the SET uses the default address provisioned by the Home Network to establish a secure connection to the H-SLP and sends a SUPL TRIGGERED START message to start a positioning session with the H-SLP. The SUPL TRIGGERED START message contains session-id, SET capabilities, trigger type indicator (in this case periodic), Location ID (lid), periodic trigger parameters and Third Party ID. The SET capabilities include

the supported positioning methods (e.g., SET-Assisted A-GPS, SET-Based A-GPS) and associated positioning protocols (e.g., RRLP, RRC, TIA-801 or LPP/LPPE).

- C. The H-SLP verifies that the target SET is currently SUPL Roaming.

NOTE 2: The specifics for determining if the SET is SUPL Roaming or not is considered outside scope of SUPL 2.1. However, there are various environment dependent mechanisms.

- D. Based on the received lid or other method, the H-SLC determines the V-SLP and sends an SSRLIR SUPL TRIGGERED START message over RLP tunnel to the V-SLC.
- E. The V-SLC requests service from the V-SPC for a periodic triggered SUPL session by sending a PREQ message containing the session-id2, the SET capabilities, the triggerparams and the lid. The PREQ MAY optionally contain the QoP. The V-SLC MAY include its approved positioning methods for this session. If the approved positioning methods are not included, the V-SPC SHALL assume that all its available positioning methods have been approved.
- F. The V-SPC accepts the service request for a SUPL session from the V-SLC with a PRES message containing the session-id2. The V-SPC MAY include a preferred positioning method in the PRES. The V-SPC MAY include its supported positioning methods in the PRES.
- G. Consistent with the SUPL TRIGGERED START message including posmethod(s) supported by the SET, the V-SLC MAY determine the posmethod. If the V-SPC included a list of supported posmethods in step F, the chosen posmethod SHALL be on this list. If required for the posmethod, the V-SLC SHALL use the supported positioning protocol (e.g., RRLP, RRC, TIA-801 or LPP/LPPE) from the SUPL TRIGGERED START message. The V-SLC responds with a SUPL TRIGGERED RESPONSE tunnelled over RLP in a SSRLIA message back to the H-SLP that it is capable of supporting this request. The SUPL TRIGGERED RESPONSE contains at least the sessionid and posmethod.
- H. The H-SLP forwards the SUPL TRIGGERED RESPONSE message to the SET. The SUPL TRIGGERED RESPONSE contains the session-id but no H-SLP address, to indicate to the SET that a new connection SHALL NOT be established. The SUPL TRIGGERED RESPONSE also contains the posmethod. The SET and the H-SLP MAY release the secure connection.
- I. When the periodic trigger in the SET indicates that a position fix has to be performed, the SET takes appropriate action establishing or resuming a secure connection. The SET then sends a SUPL POS INIT message to the H-SLP to start a positioning session with the V-SLP. The SUPL POS INIT message contains at least session-id and the Location ID (lid). The SET MAY provide NMR specific for the radio technology being used (e.g., for GSM: TA, RXLEV). The SET MAY provide its position, if this is supported. The SET MAY set the Requested Assistance Data element in the SUPL POS INIT.  
If the SUPL POS INIT message contains a position that meets any required QoP, the H-SLP MAY directly proceed to step Q.
- J. The H-SLP forwards the SUPL POS INIT message to the V-SLC using a RLP SSRP message.  
If a position calculated based on information received in the SUPL POS INIT message is available (e.g. a cell-id based position fix) that meets any required QoP, the V-SLC MAY directly proceed to step P and not engage in a SUPL POS session.
- K. The V-SLC sends a PINIT message to the V-SPC including session-id2, location id and SET capabilities. The V-SLC MAY include a posmethod in the PINIT. This posmethod may either be the posmethod recommended by the V-SPC in step F, or a different posmethod of the V-SLC's choosing, as long as it is one supported by the V-SPC. Based on the PINIT message including the SET capabilities, the V-SPC SHALL determine the posmethod. If a posmethod has been included in the PINIT by the V-SLC, the V-SPC SHALL use that posmethod, unless it does not meet the SET capabilities. If no posmethod parameter was included in the PINIT, the V-SPC shall choose any posmethod in line with the SET capabilities which was approved by the V-SLC in step E. If a coarse position calculated based on information received in the PINIT message is available that meets the required QoP, the V-SPC MAY directly proceed to step O and not engage in a SUPL POS session.

- L. If the V-SPC cannot translate the lid received in step K into a coarse position, the V-SPC sends a PLREQ message to the V-SLC. The PLREQ message contains the session-id2 and the lid. This step is optional and not required if the V-SPC can perform the translation from lid into coarse position itself.
- M. This step is conditional and only occurs if step L was performed. The V-SLC reports the coarse position result back to the V-SPC in a PLRES message. PLRES contains the session-id2 and the posresult. If the coarse position meets any required QoP, the V-SPC MAY directly proceed to step O and not engage in a SUPL POS session.
- N. The SET and the V-SPC exchange several successive positioning procedure messages. Thereby the positioning procedure payload (RRLP/RRC/TIA-801/LPP/LPPE) is transferred between the V-SPC and the V-SLC using PMESS messages. PMESS includes the session-id2 and the positioning procedure payload (RRLP/RRC/TIA-801/LPP/LPPE). The positioning procedure payload (RRLP/RRC/TIA-801/LPP/LPPE) is transferred between the V-SLC and the H-SLC using SUPL POS over RLP tunnel messages. The positioning procedure payload (RRLP/RRC/TIA-801/LPP/LPPE) is transferred between the H-SLC and the SET using SUPL POS messages. The flow sequence PMESS – RLP SSRP(SUPL POS) – SUPL POS – SUPL POS – RLP SSRP(SUPL POS) – PMESS is conceptually shown in dotted lines.  
The V-SPC calculates the position estimate based on the received positioning measurements (SET-Assisted) or the SET calculates the position estimate based on assistance obtained from the V-SPC (SET-Based).
- O. Once the position calculation is complete, the V-SPC sends a PRPT message to the V-SLC. PRPT contains the session-id2, the position result if calculated in V-SPC and the number of the fix.
- P. Once the position calculation is complete, the V-SLC sends a SUPL REPORT message to the H-SLP in an RLP tunnel using an SSRP message.
- Q. The H-SLC sends the SUPL REPORT message to the SET informing it that the positioning procedure is completed. The SET MAY release the secure connection to the H-SLP. If the reporting mode is batch reporting, the SET stores all calculated position estimates. In SET Assisted mode the position is calculated by the H-SLP and therefore needs to be included in the message for batch reporting mode.

If a SET Based positioning method was chosen which allows the SET to autonomously calculate a position estimate (e.g. autonomous GPS or A-GPS SET Based mode where the SET has current GPS assistance data and does not require an assistance data update from the H-SLP) steps I to Q are not performed. Instead, the SET autonomously calculates the position estimate and – for real time or quasi-real time reporting – sends the calculated position estimate to the H-SLC using a SUPL REPORT message containing the session-id and the position estimate.

- R. This step is optional: once the position calculation is complete and if real time or quasi-real time reporting is used, the H-SLP delivers the received position estimate to the 3<sup>rd</sup> party. If the reporting mode is set to batch reporting, this message is not used.
- S. This step is optional: if the SET cannot communicate with the H-SLP (e.g. no radio coverage available) and quasi-real time reporting is used or if batch reporting is used, the SET MAY – if supported – perform SET Based position fixes (autonomous GPS or SET Based A-GPS where the SET has current assistance data) and/or, if allowed by the H-SLP, enhanced cell/sector measurements. In the case of batch reporting, and if explicitly allowed by the H-SLP, enhanced cell/sector measurements are permitted even when the SET can communicate with the H-SLP.
- T. This step is optional and is executed if batch reporting is used and if any of the conditions for sending batch reports have occurred. It is also executed, once the SET is able to re-establish communication with the H-SLP, if quasi-real time reporting is used if one or more previous reports have been missed. The SET sends the stored position estimates and/or, if allowed, the stored enhanced cell/sector measurements in an unsolicited SUPL REPORT message to the H-SLP. The SUPL REPORT message contains the session-id and the position result(s) including data and time information for each position result and optionally the position method used. In the case of batch reporting, the stored position estimates and/or enhanced cell/sector measurements included in the SUPL REPORT message may be chosen according to criteria received in step H. If no criteria are received in step H, the SET shall include all stored position estimates and/or enhanced cell/sector measurements not previously reported.
- U. This step is optional: if in step T the SET sent enhanced cell/sector measurements, the H-SLP needs to engage the help of the V-SLP to translate the enhanced cell/sector measurements into actual position estimates. To this end the

H-SLP sends the received enhanced cell/sector measurements in a SUPL REPORT message to the V-SLC using an SSRP message over RLP tunnel.

- V. This step is optional: if the SUPL REPORT message in step U contained enhanced cell/sector measurements and the V-SPC is required to translate the received enhanced cell/sector measurements into position estimates, the V-SLC sends a PLREQ message to the V-SPC. The PLREQ message contains the session-id2 and the enhanced cell/sector measurements received in step U.
- W. This step is conditional and only used if step V occurred: the V-SPC returns the calculated position estimates to the V-SLC in a PLRES message. PLRES contains session-id2 and the position results.
- X. This step is optional: if in step U the V-SLC received enhanced cell/sector measurements, the results of the translation into position estimate need to be returned to the H-SLP. To this end a SUPL REPORT message is sent to the H-SLP. The SUPL REPORT message is carried within an SSRP message over RLP tunnel.
- Y. The H-SLC delivers the reported and/or calculated position estimate(s) to the 3<sup>rd</sup> party.

When the last position estimate needs to be calculated i.e. the end of the periodic triggered session has been reached, steps Z to HH may be performed (a repeat of steps I to Q). Alternatively – and if applicable – step S is repeated.

- II. This step is optional and is executed after the last position estimate or, if allowed, last set of enhanced cell/sector measurements has been obtained or was due, and at any time up until step OO, if and as soon as all of the following conditions apply:
  - i. Batch reporting or quasi-real time reporting is used.
  - ii. The SET has stored historic location reports and/or stored historic enhanced cell/sector measurements that have not yet been sent to the H-SLP.
  - iii. The SET is able to establish communication with the H-SLP.
  - iv. In the case of batch reporting, the conditions for sending have arisen (e.g. the conditions define sending after the last position estimate is obtained).

The SUPL REPORT message is used to send all or a subset of stored position fixes and/or stored enhanced cell/sector measurements not previously reported to the H-SLP. In the case of batch reporting, the stored position estimates and/or stored enhanced cell/sector measurements included in the SUPL REPORT message may be chosen according to criteria received in step H. If no criteria are received in step H, the SET shall include all stored position estimates and/or stored enhanced cell/sector measurements not previously reported.

- JJ. This step is optional: if in step II the SET sent enhanced cell/sector measurements, the H-SLP needs to engage the help of the V-SLP to translate the enhanced cell/sector measurements into actual position estimates. To this end the H-SLP sends the received enhanced cell/sector measurements in a SUPL REPORT message to the V-SLC using an SSRP message over RLP tunnel.
- KK. This step is optional: if the SUPL REPORT message in step JJ contained enhanced cell/sector measurements and the V-SPC is required to translate the received enhanced cell/sector measurements into position estimates, the V-SLC sends a PLREQ message to the V-SPC. The PLREQ message contains the session-id2 and the enhanced cell/sector measurements received in step JJ.
- LL. This step is conditional and only used if step KK occurred: the V-SPC returns the calculated position estimates to the V-SLC in a PLRES message. PLRES contains session-id2 and the position results.
- MM. This step is optional: if in step JJ the V-SLC received enhanced cell/sector measurements, the results of the translation into position estimate need to be returned to the H-SLP. To this end a SUPL REPORT message is sent to the H-SLP. The SUPL REPORT message is carried within an SSRP message over RLP tunnel.
- NN. The H-SLC delivers the reported and/or calculated historical position estimate(s) to the 3<sup>rd</sup> party.

OO. After the last position result has been reported to the 3<sup>rd</sup> party in step NN, or following some timeout on not receiving stored position estimates in step II, the H-SLC ends the periodic triggered session by sending a SUPL END message to the SET.

PP. The H-SLC informs the V-SLC about the end of the periodic triggered session by sending a SUPL END message using an RLP SSRP tunnel message.

QQ. The V-SLC ends the periodic triggered session with the V-SPC by sending a PEND message. PEND contains the session-id2.

### 6.6.3 Roaming with H-SLP Positioning Successful Case

SUPL Roaming where the H-SLP is involved in the position calculation.

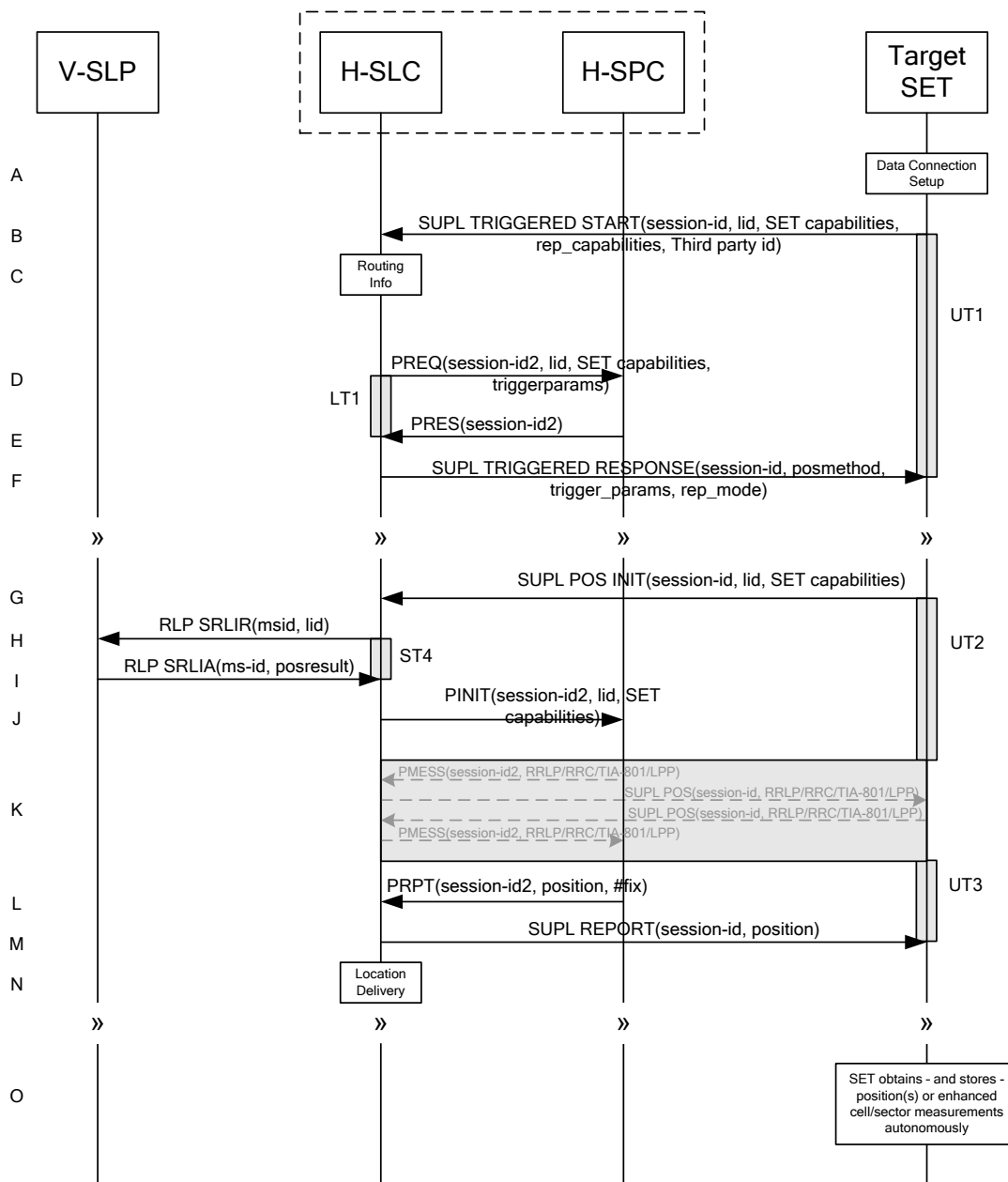
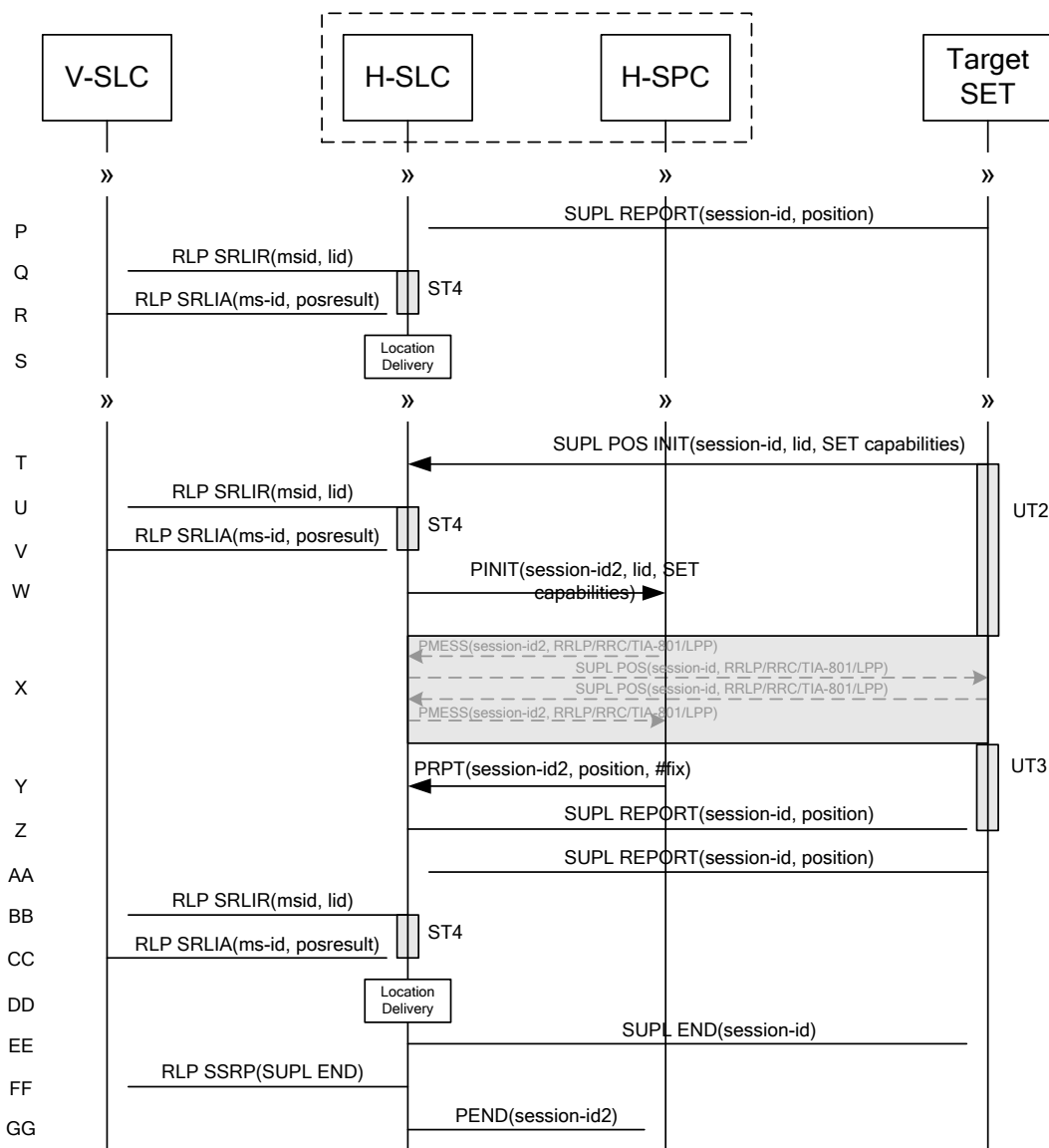


Figure 49: SET Initiated Periodic Trigger Service Roaming Successful Case – Proxy with H-SLP positioning (Part I)



**Figure 50: SET Initiated Periodic Trigger Service Roaming Successful Case – Proxy with H-SLP positioning (Part II)**

NOTE 1: See Appendix C for timer descriptions.

- A. The SUPL Agent on the SET receives a request for a periodic triggered service with transfer to a 3<sup>rd</sup> party from an application running on the SET. The SET takes appropriate action establishing or resuming a secure connection.
- B. The SUPL Agent on the SET uses the default address provisioned by the Home Network to establish a secure connection to the H-SLC and sends a SUPL TRIGGERED START message to start a positioning session with the H-SLP. The SUPL TRIGGERED START message contains session-id, SET capabilities, trigger type indicator (in this case periodic), Location ID (lid), periodic trigger parameters and Third Party ID. The SET capabilities include the supported positioning methods (e.g., SET-Assisted A-GPS, SET-Based A-GPS) and associated positioning protocols (e.g., RRLP, RRC, TIA-801 or LPP/LPp).
- C. The H-SLC verifies that the target SET is currently SUPL Roaming.

NOTE 2: The specifics for determining if the SET is SUPL Roaming or not is considered outside scope of SUPL 2.1. However, there are various environment dependent mechanisms.



- D. The H-SLC requests service from the H-SPC for a periodic triggered SUPL session by sending a PREQ message containing the session-id2, the SET capabilities, the triggerparams and the lid. The PREQ MAY optionally contain the QoP. The H-SLC MAY include its approved positioning methods for this session. If the approved positioning methods are not included, the H-SPC SHALL assume that all its available positioning methods have been approved.
- E. The H-SPC accepts the service request for a SUPL session from the H-SLC with a PRES message containing the session-id2. The H-SPC MAY include a preferred positioning method in the PRES. The H-SPC MAY include its supported positioning methods in the PRES.
- F. Consistent with the SUPL TRIGGERED START message including posmethod(s) supported by the SET, the H-SLC MAY determine the posmethod. If the H-SPC included a list of supported posmethods in step E, the chosen posmethod SHALL be on this list. If required for the posmethod, the H-SLC SHALL use the supported positioning protocol (e.g., RRLP, RRC, TIA-801 or LPP/LPPE) from the SUPL TRIGGERED START message. The H-SLC sends a SUPL TRIGGERED RESPONSE message to the SET. The SUPL TRIGGERED RESPONSE contains the session-id but no H-SLP address, to indicate to the SET that a new connection SHALL NOT be established. The SUPL TRIGGERED RESPONSE also contains the posmethod. The SET and the H-SLC MAY release the secure connection.
- G. When the periodic trigger in the SET indicates that a position fix has to be performed, the SET takes appropriate action establishing or resuming a secure connection. The SET then sends a SUPL POS INIT message to the H-SLC to start a positioning session with the H-SLP. The SUPL POS INIT message contains at least session-id and the Location ID (lid). The SET MAY provide NMR specific for the radio technology being used (e.g., for GSM: TA, RXLEV). The SET MAY provide its position, if this is supported. The SET MAY set the Requested Assistance Data element in the SUPL POS INIT.  
If the SUPL POS INIT message contains a position that meets any required QoP, the H-SLC MAY directly proceed to step M and not engage in a SUPL POS session.
- H. To obtain a coarse position based on lid received in step G, the H-SLC sends an RLP SRLIR message to the V-SLP.
- I. The V-SLP translates the received lid into a position estimate and returns the result to the H-SLC in an RLP SRLIA message.  
If a position calculated based on information received in the SUPL POS INIT message is available (e.g. a cell-id based position fix) that meets any required QoP, the H-SLC MAY directly proceed to step M and not engage in a SUPL POS session.
- J. The H-SLC sends a PINIT message to the H-SPC including session-id2, location id, SET capabilities and position estimate (i.e. coarse position received from the V-SLC in the previous step). The H-SLC MAY include a posmethod in the PINIT. This posmethod may either be the posmethod recommended by the H-SPC in step E, or a different posmethod of the H-SLC's choosing, as long as it is one supported by the H-SPC. Based on the PINIT message including the SET capabilities, the H-SPC SHALL determine the posmethod. If a posmethod has been included in the PINIT by the H-SLC, the H-SPC SHALL use that posmethod, unless it does not meet the SET capabilities. If no posmethod parameter was included in the PINIT, the H-SPC shall choose any posmethod in line with the SET capabilities which was approved by the H-SLC in step D.
- K. The SET and the H-SPC exchange several successive positioning procedure messages. Thereby the positioning procedure payload (RRLP/RRC/TIA-801/LPP/LPPE) is transferred between the H-SPC and the H-SLC using PMESS messages. PMESS includes the session-id2 and the positioning procedure payload (RRLP/RRC/TIA-801/LPP/LPPE). The positioning procedure payload (RRLP/RRC/TIA-801/LPP/LPPE) is transferred between the H-SLC and the SET using SUPL POS messages (the PMESS – SUPL POS – SUPL POS – PMESS message exchange is conceptually shown in dotted lines).  
The H-SPC calculates the position estimate based on the received positioning measurements (SET-Assisted) or the SET calculates the position estimate based on assistance obtained from the H-SPC (SET-Based).
- L. Once the position calculation is complete, the H-SPC sends a PRPT message to the H-SLC. PRPT contains the session-id2, the position result if calculated in H-SPC and the number of the fix.
- M. The H-SLC sends the SUPL REPORT message to the SET informing it that the positioning procedure is completed. The SET MAY release the secure connection to the H-SLC. If the reporting mode is batch reporting, the SET stores

all calculated position estimates. In SET Assisted mode the position is calculated by the H-SLP and therefore needs to be included in the message for batch reporting mode.

If a SET Based positioning method was chosen which allows the SET to autonomously calculate a position estimate (e.g. autonomous GPS or A-GPS SET Based mode where the SET has current GPS assistance data and does not require an assistance data update from the H-SLP) steps G to M are not performed. Instead, the SET autonomously calculates the position estimate and – for real time or quasi-real time reporting – sends the calculated position estimate to the H-SLP using a SUPL REPORT message containing the session-id and the position estimate.

- N. This step is optional: once the position calculation is complete and if real time or quasi-real time reporting is used the H-SLC delivers the calculated position estimate to the 3<sup>rd</sup> party. If the reporting mode is set to batch reporting, this message is not used.
- O. This step is optional: if the SET cannot communicate with the H-SLP (e.g. no radio coverage available) and quasi-real time reporting is used or if batch reporting is used, the SET MAY – if supported – perform SET Based position fixes (autonomous GPS or SET Based A-GPS where the SET has current assistance data) and/or, if allowed by the H-SLP, enhanced cell/sector measurements. In the case of batch reporting, and if explicitly allowed by the H-SLP, enhanced cell/sector measurements are permitted even when the SET can communicate with the H-SLP.
- P. This step is optional and is executed if batch reporting is used and if any of the conditions for sending batch reports have occurred. It is also executed, once the SET is able to re-establish communication with the H-SLP, if quasi-real time reporting is used if one or more previous reports have been missed. The SET sends the stored position estimates and/or, if allowed, the stored enhanced cell/sector measurements in an unsolicited SUPL REPORT message to the H-SLC. The SUPL REPORT message contains the session-id and the position result(s) including data and time information for each position result and optionally the position method used. In the case of batch reporting, the stored position estimates and/or enhanced cell/sector measurements included in the SUPL REPORT message may be chosen according to criteria received in step F. If no criteria are received in step F, the SET shall include all stored position estimates and/or enhanced cell/sector measurements not previously reported.
- Q. This step is optional: if in step P the SET sent enhanced cell/sector measurements, the H-SLC needs to engage the help of the V-SLP to translate the enhanced cell/sector measurements into actual position estimates. To this end the H-SLC sends an RLP SRLIR message to the V-SLP.
- R. This step is optional and only takes place if step Q has occurred: The V-SLP translates the received enhanced cell/sector measurements into position estimates and returns the results to the H-SLC in an RLP SRLIA message.
- S. The H-SLC delivers the reported and/or calculated position estimate(s) to the 3<sup>rd</sup> party.

When the last position estimate needs to be calculated i.e. the end of the periodic triggered session has been reached, steps T to Z may be performed (a repeat of steps G to M). Alternatively – and if applicable – step O is repeated.

- AA. This step is optional and is executed after the last position estimate or, if allowed, last set of enhanced cell/sector measurements has been obtained or was due, and at any time up until step EE, if and as soon as all of the following conditions apply:
  - i. Batch reporting or quasi-real time reporting is used.
  - ii. The SET has stored historic location reports and/or stored historic enhanced cell/sector measurements that have not yet been sent to the H-SLC.
  - iii. The SET is able to establish communication with the H-SLP.
  - iv. In the case of batch reporting, the conditions for sending have arisen (e.g. the conditions define sending after the last position estimate is obtained).

The SUPL REPORT message is used to send all or a subset of stored position fixes and/or stored enhanced cell/sector measurements not previously reported to the H-SLC. In the case of batch reporting, the stored position estimates and/or stored enhanced cell/sector measurements included in the SUPL REPORT message may be chosen according to criteria received in step F. If no criteria are received in step F, the SET shall include all stored position estimates and/or stored enhanced cell/sector measurements not previously reported.

- BB. This step is optional: if in step AA the SET sent enhanced cell/sector measurements, the H-SLC needs to engage the help of the V-SLP to translate the enhanced cell/sector measurements into actual position estimates. To this end the H-SLC sends an RLP SRLIR message to the V-SLP.
- CC. This step is optional and only takes place if step BB has occurred: after receiving the enhanced cell/sector measurements the V-SLP translates the received enhanced cell/sector measurements into position estimates and returns the results to the H-SLC in an RLP SRLIA message.
- DD. The H-SLC delivers the reported and/or calculated historical position estimate(s) to the 3<sup>rd</sup> party.
- EE. After the last position result has been reported to the 3<sup>rd</sup> party in step DD, or following some timeout on not receiving stored position estimates in step AA, the H-SLC ends the periodic triggered session by sending a SUPL END message to the SET.
- FF. The H-SLC informs the V-SLP about the end of the periodic triggered session by sending a SUPL END message using an SSRP message over RLP tunnel.
- GG. The H-SLC informs the H-SPC about the end of the periodic triggered session in a PEND message. PEND contains session-id2.

## 6.7 SET Initiated Periodic Location Request with Transfer to 3<sup>rd</sup> Party – Non-Proxy mode

### 6.7.1 Non-Roaming Successful Case

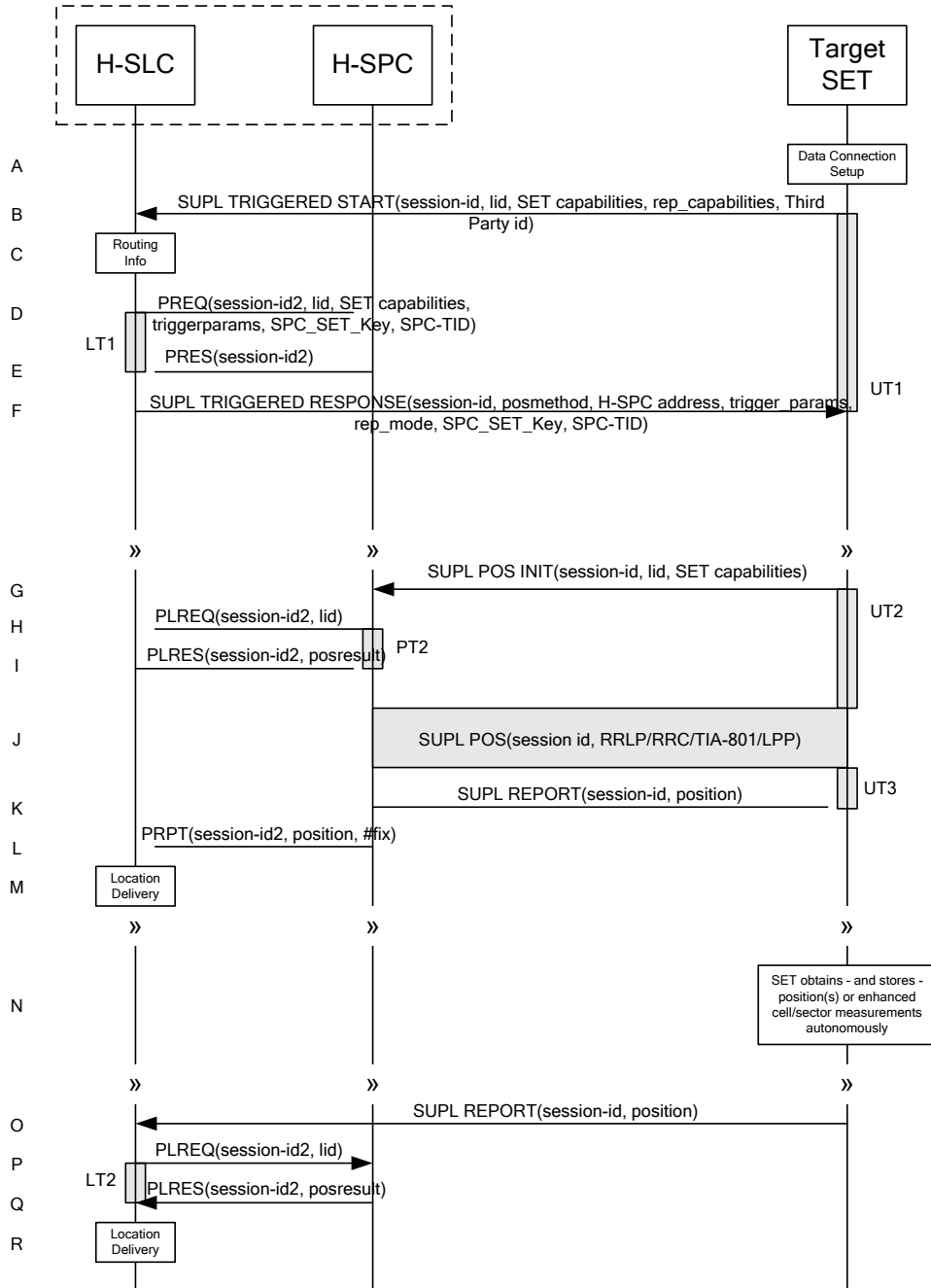


Figure 51: SET Initiated Periodic Trigger Service Non-Roaming Successful Case – Non-Proxy Mode (Part I)



posmethod SHALL be on this list. If required for the posmethod, the H-SLC SHALL use the supported positioning protocol (e.g., RRLP, RRC, TIA-801 or LPP/LPPe) from the SUPL TRIGGERED START message. The H-SLC SHALL respond with a SUPL TRIGGERED RESPONSE message to the SET. The SUPL TRIGGERED RESPONSE message contains session-id, posmethod, H-SPC address and SPC\_SET\_Key and SPC-TID for mutual H-SPC/SET authentication. The SET and the H-SLC MAY release the secure connection.

- G. When the periodic trigger in the SET indicates that a position fix has to be performed, the SET takes appropriate action establishing or resuming a secure connection. The SET then sends a SUPL POS INIT message to start a positioning session with the H-SPC. The SUPL POS INIT message contains at least session-id and the Location ID (lid). The SET MAY provide NMR specific for the radio technology being used (e.g., for GSM: TA, RXLEV). The SET MAY provide its position, if this is supported. The SET MAY set the Requested Assistance Data element in the SUPL POS INIT.

If a position calculated based on information received in the SUPL POS INIT message is available (e.g. a cell-id based position fix) that meets any required QoP, the H-SPC MAY directly proceed to step K and not engage in a SUPL POS session.

- H. If the H-SPC cannot translate the lid received in step G into a coarse position, the H-SPC sends a PLREQ message to the H-SLC. The PLREQ message contains the session-id2 and the lid. This step is optional and not required if the H-SPC can perform the translation from lid into coarse position itself.
- I. This step is conditional and only occurs if step H was performed. The H-SLC reports the coarse position result back to the H-SPC in a PLRES message. PLRES contains the session-id2 and the posresult. If the coarse position meets any required QoP, the H-SPC MAY directly proceed to step K and not engage in a SUPL POS session.
- J. Based on the SUPL POS INIT message including posmethod(s) supported by the SET the H-SPC SHALL determine the posmethod. If the H-SLC included its approved positioning methods in step D, the H-SPC SHALL only choose an approved method. The SET and the H-SPC exchange several successive positioning procedure messages. The H-SPC calculates the position estimate based on the received positioning measurements (SET-Assisted) or the SET calculates the position estimate based on assistance obtained from the H-SPC (SET-Based).
- K. Once the position calculation is complete the H-SPC sends the SUPL REPORT message to the SET informing it that the positioning procedure is completed. The SET MAY release the secure connection to the H-SPC. If the reporting mode is batch reporting, the SET stores all calculated position estimates. In SET Assisted mode the position is calculated by the H-SPC and therefore needs to be included in the message for batch reporting mode.
- L. This step is optional: Once the position calculation is complete and if real time or quasi-real time reporting is used the H-SPC sends the position estimate in a PRPT message to the H-SLC. PRPT contains the session-id2, the position result and the number of the fix. This message is optional and only used if the position was calculated by the H-SPC i.e. in SET Assisted mode.

If a SET Based positioning method was chosen which allows the SET to autonomously calculate a position estimate (e.g. autonomous GPS or A-GPS SET Based mode where the SET has current GPS assistance data and does not require an assistance data update from the H-SLP) steps G to L are not performed. Instead, the SET autonomously calculates the position estimate and – for real time or quasi-real time reporting – sends the calculated position estimate to the H-SLC using a SUPL REPORT message containing the session-id and the position estimate.

- M. This step is optional: once the position calculation is complete and if real time or quasi-real time reporting is used, the H-SLC delivers the position estimate to the 3<sup>rd</sup> party. If the reporting mode is set to batch reporting, this message is not used.
- N. This step is optional: If the SET cannot communicate with the H-SLP (e.g. no radio coverage available) and quasi-real time reporting is used or if batch reporting is used, the SET MAY – if supported - perform SET Based position fixes (autonomous GPS or SET Based A-GPS where the SET has current assistance data) and/or, if allowed by the H-SLP, enhanced cell/sector measurements. In the case of batch reporting, and if explicitly allowed by the H-SLP, enhanced cell/sector measurements are permitted even when the SET can communicate with the H-SLP.
- O. This step is optional and is executed if batch reporting is used and if any of the conditions for sending batch reports have occurred. It is also executed, once the SET is able to re-establish communication with the H-SLP, if quasi-real time reporting is used if one or more previous reports have been missed. The SET sends the stored position

estimates and/or, if allowed, the stored enhanced cell/sector measurements in an unsolicited SUPL REPORT message to the H-SLC. The SUPL REPORT message contains the session-id and the position result(s) including date and time information for each position result and optionally the position method used. In the case of batch reporting, the stored position estimates and/or enhanced cell/sector measurements included in the SUPL REPORT message may be chosen according to criteria received in step F. If no criteria are received in step F, the SET shall include all stored position estimates and/or enhanced cell/sector measurements not previously reported.

- P. This step is optional: if the SUPL REPORT message in step O contained enhanced cell/sector measurements and the H-SPC is required to translate the received enhanced cell/sector measurements into position estimates, the H-SLC sends a PLREQ message to the H-SPC. The PLREQ message contains the session-id2 and the enhanced cell/sector measurements received in step O.
- Q. This step is conditional and only used if step P occurred: the H-SPC returns the calculated position estimates to the H-SLC in a PLRES message. PLRES contains session-id2 and the position results.
- R. The H-SLC delivers the reported and/or calculated position estimate(s) to the 3<sup>rd</sup> party.

When the last position estimate needs to be calculated i.e. the end of the periodic triggered session has been reached, steps S to X may be performed (a repeat of steps G to L). Alternatively - and if applicable - step N is repeated.

- S. This step is optional and is executed after the last position estimate or, if allowed, last set of enhanced cell/sector measurements has been obtained or was due, and at any time up until step CC, if and as soon as all the following conditions apply:
  - i. Batch reporting or quasi-real time reporting is used.
  - ii. The SET has stored historic location reports and/or stored historic enhanced cell/sector measurements that have not yet been sent to the H-SLC.
  - iii. The SET is able to establish communication with the H-SLP
  - iv. In the case of batch reporting, the conditions for sending have arisen (e.g. the conditions define sending after the last position estimate is obtained).

The SUPL REPORT message is used to send all or a subset of stored position fixes and/or stored enhanced cell/sector measurements not previously reported to the H-SLC. In the case of batch reporting, the stored position estimates and/or stored enhanced cell/sector measurements included in the SUPL REPORT message may be chosen according to criteria received in step F. If no criteria are received in step F, the SET shall include all stored position estimates and/or stored enhanced cell/sector measurements not previously reported.

- T. This step is optional: if the SUPL REPORT message in step Y contained enhanced cell/sector measurements and the H-SPC is required to translate the received enhanced cell/sector measurements into position estimates, the H-SLC sends a PLREQ message to the H-SPC. The PLREQ message contains the session-id2 and the enhanced cell/sector measurements received in step Y.
- U. This step is conditional and only used if step Z occurred: the H-SPC returns the calculated position estimates to the H-SLC in a PLRES message. PLRES contains session-id2 and the position results.
- V. The H-SLC delivers the reported and/or calculated historical position estimate(s) to the 3<sup>rd</sup> party.
- W. After the last position result has been reported to the 3<sup>rd</sup> party in step BB the H-SLC informs the H-SPC about the end of the periodic triggered session by sending a PEND message. PEND contains the session-id2.
- X. The H-SLC ends the periodic triggered session by sending a SUPL END message to the SET. Please note that if the last position was calculated in step V and step Y was not performed, the SUPL END message is sent from the H-SPC to the SET (as opposed to from the H-SLC to the SET).

## 6.7.2 Roaming with V-SPC Positioning Successful Case

SUPL Roaming where the V-SPC is involved in the position calculation.

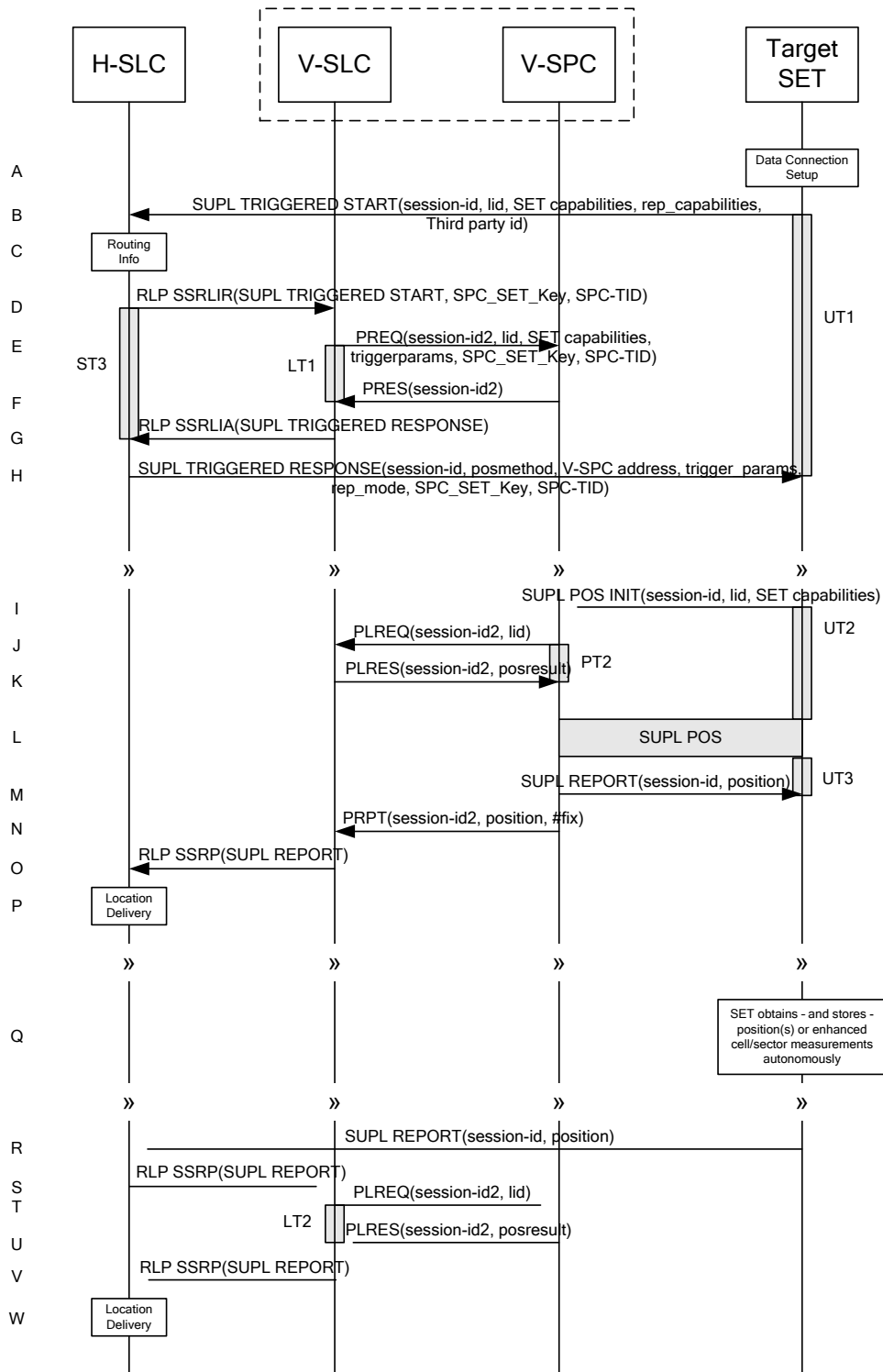
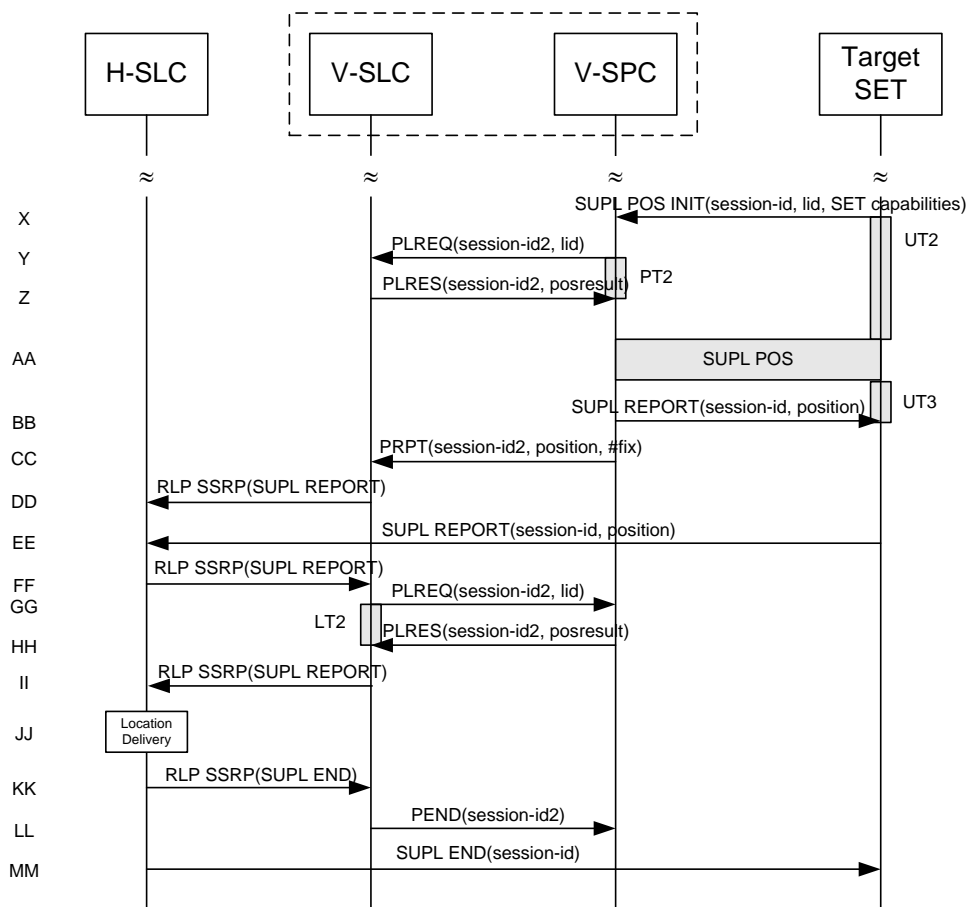


Figure 53: SET Initiated Periodic Trigger Service Roaming Successful Case – Non-Proxy with V-SPC positioning (Part I)





**Figure 54: SET Initiated Periodic Trigger Service Roaming Successful Case – Non-Proxy with V-SPC positioning (Part II)**

NOTE 1: See Appendix C for timer descriptions.

- A. The SUPL Agent on the SET receives a request for a periodic triggered service with transfer to a 3<sup>rd</sup> party from an application running on the SET. The SET takes appropriate action establishing or resuming a secure connection.
- B. The SUPL Agent on the SET uses the default address provisioned by the Home Network to establish a secure connection to the H-SLC and sends a SUPL TRIGGERED START message to start a positioning session with the H-SLP. The SUPL TRIGGERED START message contains session-id, SET capabilities, trigger type indicator (in this case periodic), Location ID (lid), periodic trigger parameters and Third Party ID. The SET capabilities include the supported positioning methods (e.g., SET-Assisted A-GPS, SET-Based A-GPS) and associated positioning protocols (e.g., RRLP, RRC, TIA-801 or LPP/LPPE).
- C. The H-SLC verifies that the target SET is currently SUPL Roaming.

NOTE 2: The specifics for determining if the SET is SUPL Roaming or not is considered outside scope of SUPL 2.1. However, there are various environment dependent mechanisms.

- D. Based on the received lid or other mechanisms, the H-SLC determines the V-SLP and sends an RLP SSRP including a SUPL TRIGGERED START message to the V-SLC to inform the V-SLP that a periodic triggered session is in the progress of being initiated. The H-SLC also creates SPC\_SET\_Key and SPC-TID to be used for mutual V-SPC/SET authentication and sends it as part of the RLP SSRP message to the V-SLC.
- E. The V-SLC requests service from the V-SPC for a periodic triggered SUPL session by sending a PREQ message containing the session-id2, the SET capabilities, the triggerparams and the lid. The PREQ MAY also optionally

contain the QoP. The PREQ message also contains SPC\_SET\_Key and SPC-TID for mutual V-SPC/SET authentication. The V-SLC MAY include its approved positioning methods for this session in the PREQ. If the approved positioning methods are not included, the V-SPC SHALL assume that all its available positioning methods have been approved.

- F. The V-SPC accepts the service request for a SUPL session from the V-SLC with a PRES message containing the session-id2. The V-SPC MAY include a preferred positioning method in the PRES. The V-SPC MAY include its supported positioning methods in the PRES.
- G. Consistent with the SUPL TRIGGERED START message including posmethod(s) supported by the SET, the V-SLC MAY determine the posmethod. If the V-SPC included a list of supported posmethods in step F, the chosen posmethod SHALL be on this list. If required for the posmethod, the V-SLC SHALL use the supported positioning protocol (e.g., RRLP, RRC, TIA-801 or LPP/LPPE) from the SUPL TRIGGERED START message. The V-SLC responds with a SUPL TRIGGERED RESPONSE tunnelled over RLP in a SSRLIA message back to the H-SLC that it is capable of supporting this request. The SUPL TRIGGERED RESPONSE contains at least the sessionid, posmethod and the V-SPC address.
- H. The H-SLC sends a SUPL TRIGGERED RESPONSE message to the SET. The SUPL TRIGGERED RESPONSE message contains session-id, posmethod, V-SPC address, and SPC\_SET\_Key and SPC-TID for mutual V-SPC/SET authentication. The SET and the H-SLC MAY release the secure connection.
- I. When the periodic trigger in the SET indicates that a position fix has to be performed, the SET takes appropriate action establishing or resuming a secure connection. The SET then sends a SUPL POS INIT message to the V-SPC to start a positioning session with the V-SPC. The SUPL POS INIT message contains at least session-id and the Location ID (lid). The SET MAY provide NMR specific for the radio technology being used (e.g., for GSM: TA, RXLEV). The SET MAY provide its position, if this is supported. The SET MAY set the Requested Assistance Data element in the SUPL POS INIT.  
If a position calculated based on information received in the SUPL POS INIT message is available (e.g. a cell-id based position fix) that meets any required QoP, the V-SPC MAY directly proceed to step M and not engage in a SUPL POS session.
- J. If the V-SPC cannot translate the lid received in step I into a coarse position, the V-SPC sends a PLREQ message to the V-SLC. The PLREQ message contains the session-id2 and the lid. This step is optional and not required if the V-SPC can perform the translation from lid into coarse position itself.
- K. This step is conditional and only occurs if step J was performed. The V-SLC reports the coarse position result back to the V-SPC in a PLRES message. PLRES contains the session-id2 and the posresult. If the coarse position meets any required QoP, the V-SPC MAY directly proceed to step M and not engage in a SUPL POS session.
- L. Based on the SUPL POS INIT message including posmethod(s) supported by the SET the V-SPC SHALL determine the posmethod. If the V-SLC included its approved positioning methods in step E, the V-SPC SHALL only choose an approved method. The SET and the V-SPC exchange several successive positioning procedure messages. The V-SPC calculates the position estimate based on the received positioning measurements (SET-Assisted) or the SET calculates the position estimate based on assistance obtained from the V-SPC (SET-Based).
- M. Once the position calculation is complete the V-SPC sends the SUPL REPORT message to the SET informing it that the positioning procedure is completed. The SET MAY release the secure connection to the V-SPC. If the reporting mode is batch reporting, the SET stores all calculated position estimates. In SET Assisted mode the position is calculated by the V-SPC and therefore needs to be included in the message for batch reporting mode.
- N. This step is optional: once the position calculation is complete and real time or quasi-real time reporting is used, the V-SPC sends the position estimate in a PRPT message to the V-SLC. PRPT contains the session-id2, the position result and the number of the fix. This message is optional and only used if the position was calculated by the V-SPC i.e. in SET Assisted mode.
- O. This step is conditional and is only used after step N occurred. The V-SLC sends the position estimate to the H-SLC in a SUPL REPORT message. The SUPL REPORT message includes at a minimum the session-id and the position estimate. The SUPL REPORT message is carried within an RLP SSRP message.

If a SET Based positioning method was chosen which allows the SET to autonomously calculate a position estimate (e.g. autonomous GPS or A-GPS SET Based mode where the SET has current GPS assistance data and does not require an assistance data update from the H-SLP) steps I to N are not performed. Instead, the SET autonomously calculates the position estimate and – for real time or quasi-real time reporting – sends the calculated position estimate to the H-SLC using a SUPL REPORT message containing the session-id and the position estimate.

- P. This step is optional: if real time or quasi-real time reporting is used, the H-SLC delivers the position estimate received to the 3<sup>rd</sup> party. If the reporting mode is set to batch reporting, this message is not needed.
- Q. This step is optional: If the SET cannot communicate with the V-SLP (e.g. no radio coverage available) and quasi-real time reporting is used or if batch reporting is used, the SET MAY – if supported - perform SET Based position fixes (autonomous GPS or SET Based A-GPS where the SET has current assistance data) and/or, if allowed by the H-SLP, enhanced cell/sector measurements. In the case, of batch reporting, and if explicitly allowed by the H-SLP, enhanced cell/sector measurements are permitted even when the SET can communicate with the V-SLP.
- R. This step is optional and is executed if batch reporting is used and if any of the conditions for sending batch reports have occurred. It is also executed, once the SET is able to re-establish communication with the H-SLP/V-SLP, if quasi-real time reporting is used if one or more previous reports have been missed. The SET sends the stored position estimates and/or, if allowed, the stored enhanced cell/sector measurements in an unsolicited SUPL REPORT message to the H-SLC. The SUPL REPORT message contains the session-id and the position result(s) including date and time information for each position result and optionally the position method used. In the case of batch reporting, the stored position estimates and/or enhanced cell/sector measurements included in the SUPL REPORT message may be chosen according to criteria received in step H. If no criteria are received in step H, the SET shall include all stored position estimates and/or enhanced cell/sector measurements not previously reported.
- S. This step is optional: if the H-SLC received stored enhanced cell/sector measurements in the SUPL REPORT message in step R, the V-SLP may need to be involved to translate the enhanced cell/sector measurements into actual position estimates. To this end the H-SLC sends a SUPL REPORT message to the V-SLC using an SSRP message over RLP tunnel.
- T. This step is optional: if the SUPL REPORT message in step S contained enhanced cell/sector measurements and the V-SPC is required to translate the received enhanced cell/sector measurements into position estimates, the V-SLC sends a PLREQ message to the V-SPC. The PLREQ message contains the session-id2 and the enhanced cell/sector measurements received in step S.
- U. This step is conditional and only used if step T occurred: the V-SPC returns the calculated position estimates to the V-SLC in a PLRES message. PLRES contains session-id2 and the position results.
- V. This step is conditional and takes place after step S and - optionally - steps T and U. A SUPL REPORT message containing position estimates calculated from enhanced cell/sector measurements received in step S is sent from the V-SLC to the H-SLC using an SSRP message over RLP tunnel.
- W. The H-SLC delivers the reported and/or calculated position estimate(s) to the 3<sup>rd</sup> party.

When the last position estimate needs to be calculated i.e. the end of the periodic triggered session has been reached, steps X to DD may be performed (a repeat of steps I to N). Alternatively – and if applicable – step Q is repeated.

- EE. This step is optional and is executed after the last position estimate or, if allowed, last set of enhanced cell/sector measurements has been obtained or was due, and at any time up until step KK, if and as soon as all the following conditions apply:
  - i. Batch reporting or quasi-real time reporting is used.
  - ii. The SET has stored historic location reports and/or stored historic enhanced cell/sector measurements that have not yet been sent to the H-SLC.
  - iii. The SET is able to establish communication with the H-SLP.
  - iv. In the case of batch reporting, the conditions for sending have arisen (e.g. the conditions define sending after the last position estimate is obtained).

The SUPL REPORT message is used to send all or a subset of stored position fixes and/or stored enhanced cell/sector measurements not previously reported to the H-SLC. In the case of batch reporting, the stored position estimates and/or stored enhanced cell/sector measurements included in the SUPL REPORT message may be chosen according to criteria received in step H. If no criteria are received in step H, the SET shall include all stored position estimates and/or stored enhanced cell/sector measurements not previously reported.

- FF. This step is optional: if the H-SLC received stored enhanced cell/sector measurements in the SUPL REPORT message in step EE, the V-SLP may need to be involved to translate the enhanced cell/sector measurements into actual position estimates. To this end the H-SLC sends a SUPL REPORT message to the V-SLC using an SSRP message over RLP tunnel.
- GG. This step is optional: if the SUPL REPORT message in step EE contained enhanced cell/sector measurements and the V-SPC is required to translate the received enhanced cell/sector measurements into position estimates, the V-SLC sends a PLREQ message to the V-SPC. The PLREQ message contains the session-id2 and the enhanced cell/sector measurements received in step EE.
- HH. This step is conditional and only used if step GG occurred: the V-SPC returns the calculated position estimates to the V-SLC in a PLRES message. PLRES contains session-id2 and the position results.
- II. This step is conditional and takes place after step FF and - optionally - steps GG and HH. A SUPL REPORT message containing position estimates calculated from enhanced cell/sector measurements received in step FF is sent from the V-SLC to the H-SLC using an SSRP message over RLP tunnel.
- JJ. The H-SLC delivers the reported and/or calculated historical position estimate(s) to the 3<sup>rd</sup> party.
- KK. After the last position result has been reported to the 3<sup>rd</sup> party in step JJ, the H-SLC informs the V-SLC about the end of the periodic triggered session through an SUPL END message carried within an SSRP message over RLP tunnel.
- LL. The V-SLC informs the V-SPC about the end of the periodic triggered session in a PEND message. PEND contains the session-id2.
- MM. The H-SLC ends the periodic triggered session with the SET by sending a SUPL END message. The SUPL END message includes at least the session-id. Please note that if the last position was calculated in step AA and step EE was not performed, the SUPL END message is sent from the V-SPC to the SET (as opposed to from the H-SLC to the SET).

### 6.7.3 Roaming with H-SPC Positioning Successful Case

SUPL Roaming where the H-SPC is involved in the position calculation.

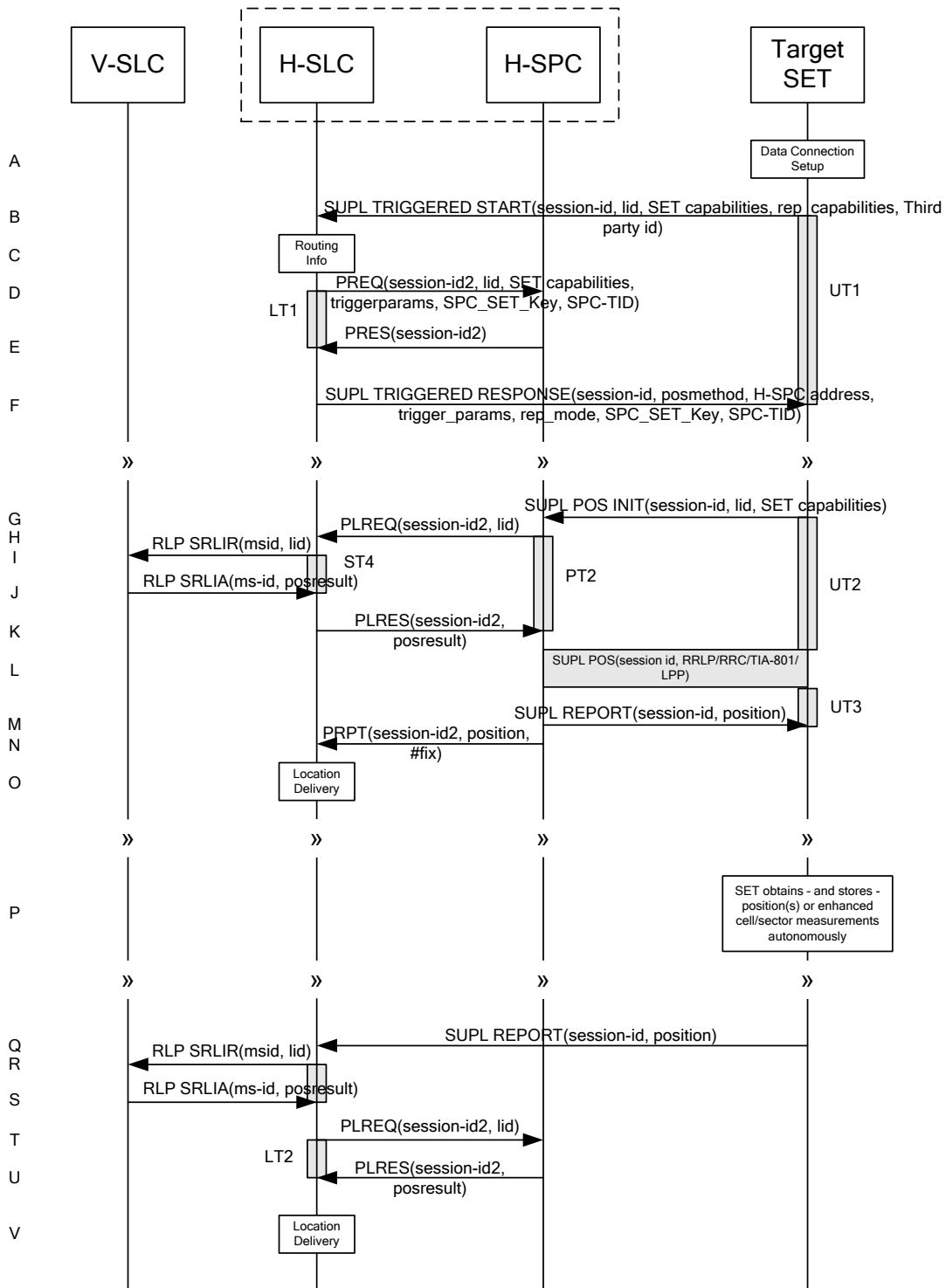
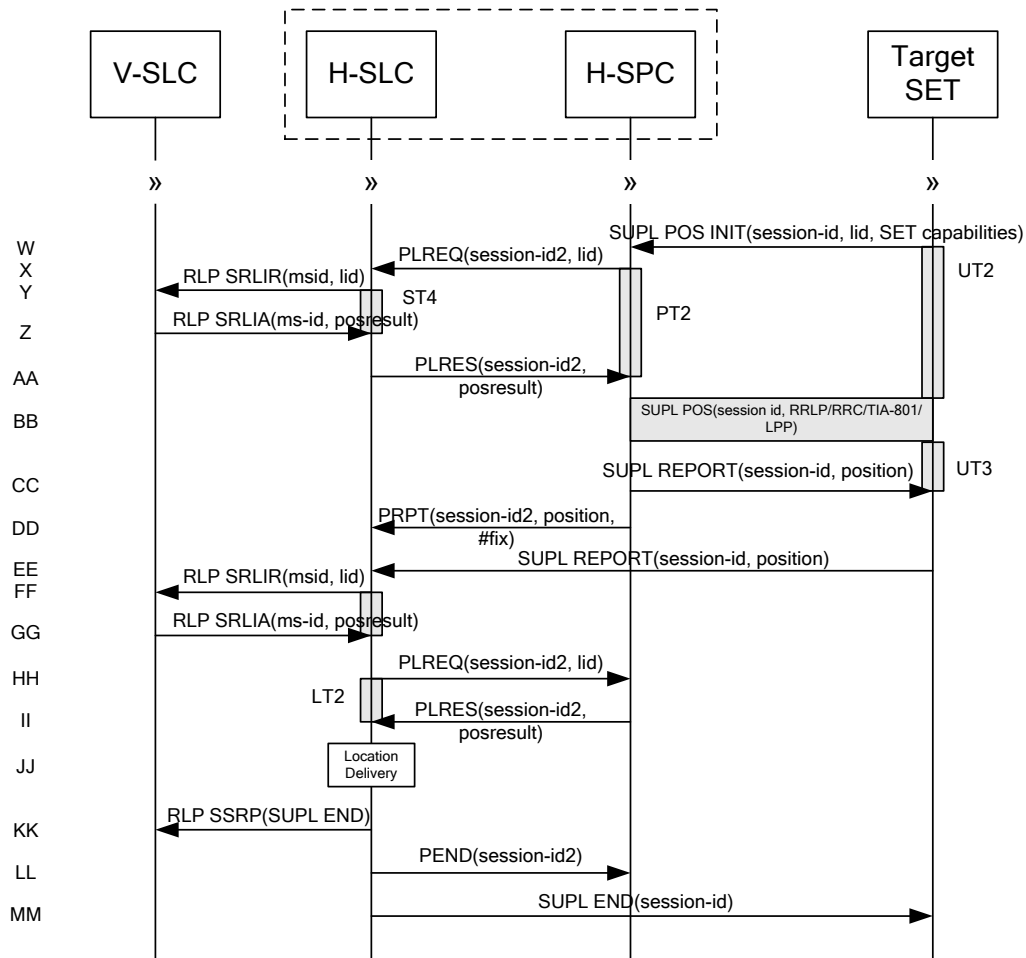


Figure 55: SET Initiated Periodic Trigger Service Roaming Successful Case – Non-Proxy with H-SPC positioning (Part I)



**Figure 56: SET Initiated Periodic Trigger Service Roaming Successful Case – Non-Proxy with H-SPC positioning (Part II)**

NOTE 1: See Appendix C for timer descriptions.

- A. The SUPL Agent on the SET receives a request for a periodic triggered service with transfer to a 3<sup>rd</sup> party from an application running on the SET. The SET takes appropriate action establishing or resuming a secure connection.
- B. The SUPL Agent on the SET uses the default address provisioned by the Home Network to establish a secure connection to the H-SLC and sends a SUPL TRIGGERED START message to start a positioning session with the H-SLP. The SUPL TRIGGERED START message contains session-id, SET capabilities, trigger type indicator (in this case periodic), Location ID (lid), periodic trigger parameters and Third Party ID. The SET capabilities include the supported positioning methods (e.g., SET-Assisted A-GPS, SET-Based A-GPS) and associated positioning protocols (e.g., RRLP, RRC, TIA-801 or LPP/LPp).
- C. The H-SLC verifies that the target SET is currently SUPL Roaming.

NOTE 2: The specifics for determining if the SET is SUPL Roaming or not is considered outside scope of SUPL 2.1. However, there are various environment dependent mechanisms.

- D. The H-SLC requests service from the H-SPC for a periodic triggered SUPL session by sending a PREQ message containing the session-id2, the SET capabilities, the triggerparams and the lid. The H-SLC also creates SPC\_SET\_Key and SPC-TID to be used for mutual H-SPC/SET authentication. SPC\_SET\_Key and SPC-TID are forwarded to the H-SPC in the PREQ message. The PREQ MAY also optionally contain the QoP. The H-SLC MAY

include its approved positioning methods for this session in the PREQ. If the approved positioning methods are not included, the H-SPC SHALL assume that all its available positioning methods have been approved.

- E. The H-SPC accepts the service request for a SUPL session from the H-SLC with a PRES message containing the session-id2. The H-SPC MAY include a preferred positioning method in the PRES. The H-SPC MAY include its supported positioning methods in the PRES.
- F. Consistent with the SUPL TRIGGERED START message including posmethod(s) supported by the SET, the H-SLC MAY determine the posmethod. If the H-SPC included a list of supported posmethods in step E, the chosen posmethod SHALL be on this list. If required for the posmethod, the H-SLC SHALL use the supported positioning protocol (e.g., RRLP, RRC, TIA-801 or LPP/LPPe) from the SUPL TRIGGERED START message. The H-SLC sends a SUPL TRIGGERED RESPONSE message to the SET. The SUPL TRIGGERED RESPONSE message contains session-id, posmethod, H-SPC address and SPC\_SET\_Key and SPC-TID for mutual H-SPC/SET authentication. The SET and the H-SLC MAY release the secure connection.
- G. When the periodic trigger in the SET indicates that a position fix has to be performed, the SET takes appropriate action establishing or resuming a secure connection. The SET then sends a SUPL POS INIT message to the H-SPC to start a positioning session with the H-SPC. The SUPL POS INIT message contains at least session-id and the Location ID (lid). The SET MAY provide NMR specific for the radio technology being used (e.g., for GSM: TA, RXLEV). The SET MAY provide its position, if this is supported. The SET MAY set the Requested Assistance Data element in the SUPL POS INIT.  
If the SUPL POS INIT message contains a position that meets any required QoP, the H-SPC MAY directly proceed to step M.
- H. To translate the lid received in step G into a coarse position, the H-SPC sends a PLREQ message to the H-SLC. The PLREQ message contains the session-id2 and the lid.
- I. To obtain a coarse position the H-SLC sends an RLP SRLIR message to the V-SLP.
- J. The V-SLP translates the received lid into a position estimate and returns the result to the H-SLC in an RLP SRLIA message.  
For real-time or quasi-real time reporting, if the returned position meets the required QoP, the H-SLC SHALL directly proceed to step N and not engage in a SUPL POS session. For batch reporting, if the returned position meets any required QoP, the H-SLC MAY send the position result through internal communication to the H-SPC (step K) and the H-SPC will forward the position result to the SET using a SUPL REPORT message (step M) without engaging in a SUPL POS session (step L).
- K. The H-SLC reports the coarse position result back to the H-SPC in a PLRES message. PLRES contains the session-id2 and the posresult. If the coarse position meets any required QoP, the H-SPC MAY directly proceed to step M and not engage in a SUPL POS session.
- L. Based on the SUPL POS INIT message including posmethod(s) supported by the SET the H-SPC SHALL determine the posmethod. If the H-SLC included its approved positioning methods in step D, the H-SPC SHALL only choose an approved method. The SET and the H-SPC exchange several successive positioning procedure messages. The H-SPC calculates the position estimate based on the received positioning measurements (SET-Assisted) or the SET calculates the position estimate based on assistance obtained from the H-SPC (SET-Based).
- M. Once the position calculation is complete the H-SPC sends the SUPL REPORT message to the SET informing it that the positioning procedure is completed. The SET MAY release the secure connection to the H-SLP. If the reporting mode is batch reporting, the SET stores all calculated position estimates. In SET Assisted mode the position is calculated by the H-SPC and therefore needs to be included in the message for batch reporting mode.
- N. This step is optional: once the position calculation is complete and if real time or quasi-real time reporting is used, the H-SPC sends the position estimate in a PRPT message to the H-SLC. PRPT contains the session-id2, the position result and the number of the fix. This message is optional and only used if the position was calculated by the H-SPC i.e. in SET Assisted mode.

If a SET Based positioning method was chosen which allows the SET to autonomously calculate a position estimate (e.g. autonomous GPS or A-GPS SET Based mode where the SET has current GPS assistance data and does not

require an assistance data update from the H-SLP) steps G to N are not performed. Instead, the SET autonomously calculates the position estimate and – for real time or quasi-real time reporting – sends the calculated position estimate to the H-SLC using a SUPL REPORT message containing the session-id and the position estimate.

- O. This step is optional: if real time or quasi-real time reporting is used, the H-SLC delivers the calculated position estimate to the 3<sup>rd</sup> party. If the reporting mode is set to batch reporting, this message is not needed.
- P. This step is optional: If the SET cannot communicate with the H-SLP (e.g. no radio coverage available) and quasi-real time reporting is used or if batch reporting is used, the SET MAY – if supported - perform SET Based position fixes (autonomous GPS or SET Based A-GPS where the SET has current assistance data) and/or, if allowed by the H-SLP, enhanced cell/sector measurements. In the case, of batch reporting, and if explicitly allowed by the H-SLP, enhanced cell/sector measurements are permitted even when the SET can communicate with the H-SLP.
- Q. This step is optional and is executed if batch reporting is used and if any of the conditions for sending batch reports have occurred. It is also executed, once the SET is able to re-establish communication with the H-SLP, if quasi-real time reporting is used if one or more previous reports have been missed. The SET sends the stored position estimates and/or, if allowed, the stored enhanced cell/sector measurements in an unsolicited SUPL REPORT message to the H-SLC. The SUPL REPORT message contains the session-id and the position result(s) including date and time information for each position result and optionally the position method used. In the case of batch reporting, the stored position estimates and/or enhanced cell/sector measurements included in the SUPL REPORT message may be chosen according to criteria received in step F. If no criteria are received in step F, the SET shall include all stored position estimates and/or enhanced cell/sector measurements not previously reported.
- R. This step is optional: if the H-SLC received stored enhanced cell/sector measurements in the SUPL REPORT message in step Q, the V-SLP may need to be involved to translate the enhanced cell/sector measurements into actual position estimates. To this end the H-SLC sends an RLP SRLIR message to the V-SLC.
- S. This step is conditional and takes place only if step R occurred. The V-SLC sends the position result calculated based on the enhanced cell/sector measurements received in step R to the H-SLC.
- T. This step is optional and only takes place if after the translation into a position estimate in steps R and S the H-SPC is required to calculate the position estimate. In this case the H-SLC sends a PLREQ message to the H-SPC. The PLREQ message contains the session-id2 and the enhanced cell/sector measurements received in step Q.
- U. This step is conditional and only used if step T occurred: the H-SPC returns the calculated position estimates to the H-SLC in a PLRES message. PLRES contains session-id2 and the position results.
- V. The H-SLC delivers the reported and/or calculated position estimate(s) to the 3<sup>rd</sup> party.

When the last position estimate needs to be calculated i.e. the end of the periodic triggered session has been reached, steps W to DD may be performed (a repeat of steps G to N). Alternatively – and if applicable – step P is repeated.

- EE. This step is optional and is executed after the last position estimate or, if allowed, last set of enhanced cell/sector measurements has been obtained or was due, and at any time up until step KK, if and as soon as all the following conditions apply:
  - i. Batch reporting or quasi-real time reporting is used.
  - ii. The SET has stored historic location reports and/or stored historic enhanced cell/sector measurements that have not yet been sent to the H-SLC.
  - iii. The SET is able to establish communication with the H-SLP.
  - iv. In the case of batch reporting, the conditions for sending have arisen (e.g. the conditions define sending after the last position estimate is obtained).

The SUPL REPORT message is used to send all or a subset of stored position fixes and/or stored enhanced cell/sector measurements not previously reported to the H-SLC. In the case of batch reporting, the stored position estimates and/or stored enhanced cell/sector measurements included in the SUPL REPORT message may be chosen



according to criteria received in step F. If no criteria are received in step F, the SET shall include all stored position estimates and/or stored enhanced cell/sector measurements not previously reported.

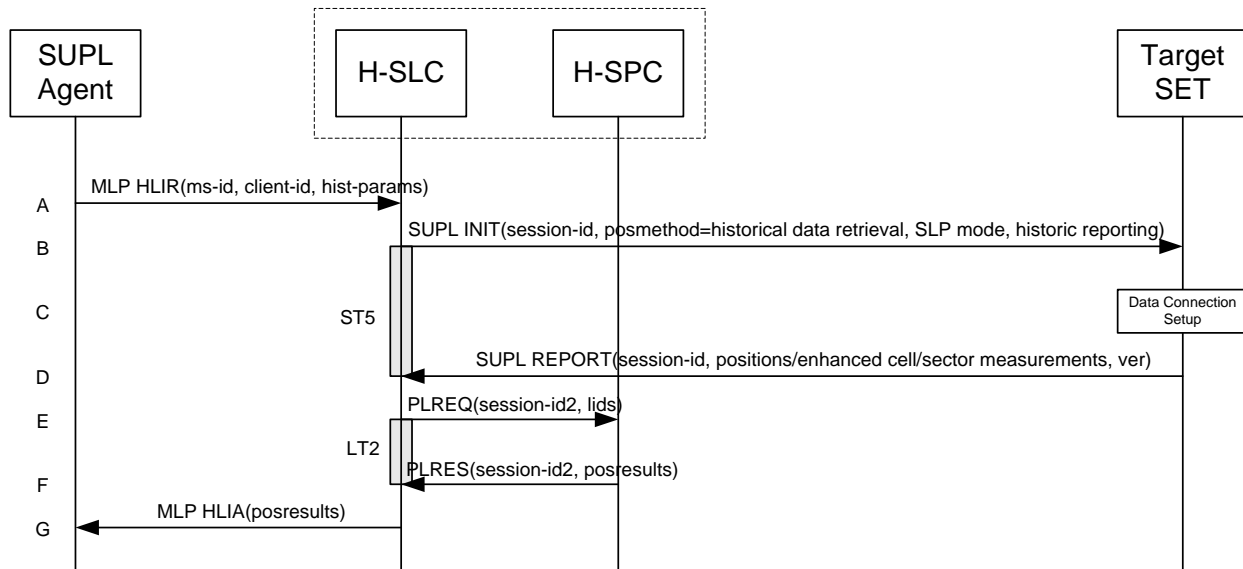
- FF. This step is optional: if the H-SLC received stored enhanced cell/sector measurements in the SUPL REPORT message in step EE, the V-SLP may need to be involved to translate the enhanced cell/sector measurements into actual position estimates. To this end the H-SLC sends an RLP SRLIR message to the V-SLC.
- GG. This step is conditional and takes place only if step FF occurred. The V-SLC sends the position result calculated based on the enhanced cell/sector measurements received in step FF to the H-SLC.
- HH. This step is optional and only takes place if after the translation into a position estimate in steps FF and GG the H-SPC is required to calculate the position estimate. In this case the H-SLC sends a PLREQ message to the H-SPC. The PLREQ message contains the session-id2 and the enhanced cell/sector measurements received in step EE.
- II. This step is conditional and only used if step HH occurred: the H-SPC returns the calculated position estimates to the H-SLC in a PLRES message. PLRES contains session-id2 and the position results.
- JJ. The H-SLC delivers the reported and/or calculated historical position estimate(s) to the 3<sup>rd</sup> party.
- KK. When the last position result was reported to the 3<sup>rd</sup> party in step JJ, the H-SLC closes the periodic triggered session with the V-SLC by sending a SUPL END message encapsulated in an SSRP message over RLP tunnel.
- LL. The H-SLC informs the H-SPC about the end of the periodic triggered session by sending a PEND message. PEND contains the session-id2.
- MM. The H-SLC ends the periodic triggered session with the SET by sending a SUPL END message. The SUPL END message includes at least the session-id. Please note that if the last position was calculated in step BB and step EE was not performed, the SUPL END message is sent from the H-SPC to the SET (as opposed to from the H-SLC to the SET).

## 6.8 Retrieval of Historical Positions and/or Enhanced Cell Sector Measurements

This section describes the retrieval of stored historical positions and/or enhanced cell/sector measurements. Please note that the concept of non-proxy mode does not apply since the SET is not involved in a positioning session i.e. does not directly communicate with the SPC.

### 6.8.1 Retrieval of Historical Position Results – non-roaming successful case

The following flow defines the retrieval of historical position results from the SET for non-roaming. In the context of retrieval of historical position and/or enhanced cell/sector measurements non-roaming means that enhanced cell/sector measurements which the SET reports were taken while the SET was not SUPL Roaming.



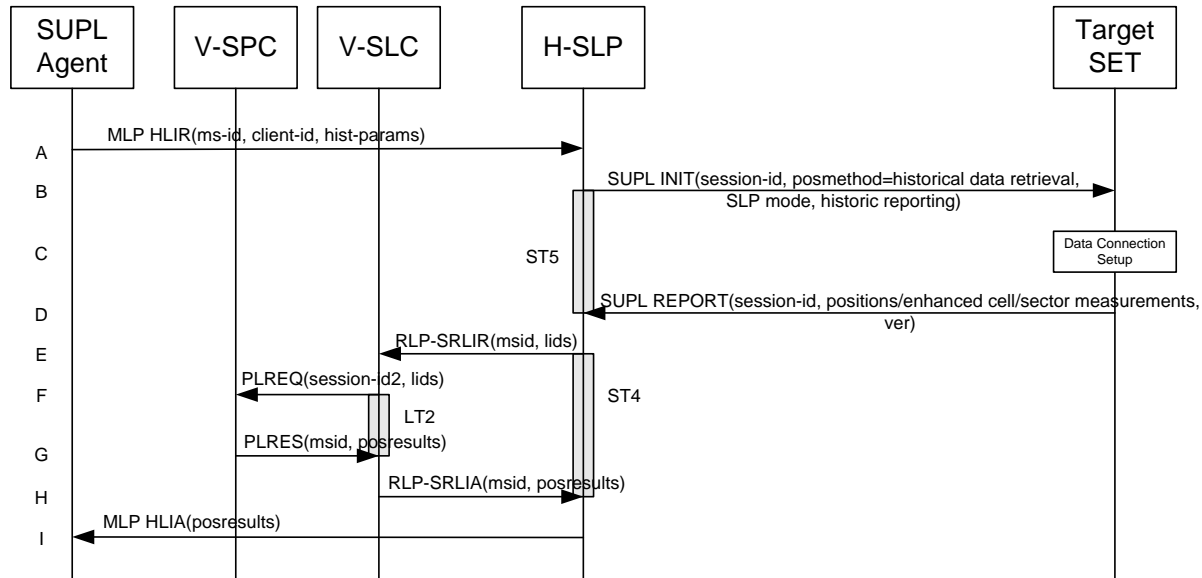
**Figure 57: Retrieval of historical positions and/or enhanced cell/sector measurements – non-roaming**

NOTE 1: See Appendix C for timer descriptions.

- A. The SUPL Agent issues an MLP HLIR message to the H-SLC, with which SUPL Agent is associated. The H-SLC SHALL authenticate the SUPL Agent and check if the SUPL Agent is authorized for the service it requests, based on the client-id received. Further, based on the received ms-id the H-SLC SHALL apply subscriber privacy against the client-id. The hist-params parameter in the HLIR message defines criteria to be applied by the SET when selecting historical position to be reported to the SUPL Agent (e.g. time window, QoP, positioning method, etc.).
- B. The H-SLC initiates the retrieval of historical positions with the SET using the SUPL INIT message. The SUPL INIT message contains at least session-id, posmethod, SLP mode, supported network measurements and criteria for selecting stored historical position estimates and/or stored enhanced cell/sector measurements (historic reporting). Historical data retrieval is indicated by posmethod: *historical data retrieval*. If the result of the privacy check in Step A indicates that subscriber privacy check based on current location is required, the H-SLP SHALL set notification mode to notification based on current location and SHALL NOT include the notification element in the SUPL INIT message; otherwise, the H-SLP SHALL set the notification mode indicator to normal notification and if notification or verification to the target subscriber is needed, the H-SLP SHALL also include the notification element in the SUPL INIT message. Before the SUPL INIT message is sent, the H-SLC also computes and stores a hash of the message.
- C. The SET analyses the received SUPL INIT. If it is found to be non authentic, the SET takes no further action. Otherwise the SET takes needed action preparing for establishment or resumption of a secure connection.
- D. The SET will evaluate the Notification rules and follow the appropriate actions. The SET then establishes a secure connection to the H-SLC using an H-SLP address that has been provisioned by the Home Network to the SET. The SET selects historical position estimates and/or historic enhanced cell/sector measurements based on the criteria received in step B and sends the positions and/or enhanced cell/sector measurements in a SUPL REPORT message to the H-SLC. The SUPL REPORT message contains session-id, a hash of the received SUPL INIT message (ver) and positions and/or enhanced cell/sector measurements. After sending the SUPL REPORT message, the SET SHALL release all resources related to this session.
- E. This step is optional: if the H-SLC cannot convert received historical enhanced cell/sector measurements into position estimates, it sends the measurements in a PLREQ message to the H-SPC for conversion.
- F. This step is optional and only takes place if step E has taken place: the H-SPC sends the converted position estimates back to the H-SLC in a PLRES message.
- G. The H-SLC reports the historical position estimates to the SUPL Agent in an MLP HLIA message.

### 6.8.2 Retrieval of Historical Position Results – roaming successful case

The following flow defines the retrieval of historical position results from the SET for roaming. In the context of retrieval of historical position and/or enhanced cell/sector measurements roaming means that enhanced cell/sector measurements reported by the SET were taken while the SET was SUPL Roaming.



**Figure 58: Retrieval of historical positions and/or enhanced cell/sector measurements – roaming**

NOTE 1: See Appendix C for timer descriptions.

- A. The SUPL Agent issues an MLP HLIR message to the H-SLP, with which SUPL Agent is associated. The H-SLP shall authenticate the SUPL Agent and check if the SUPL Agent is authorized for the service it requests, based on the client-id received. Further, based on the received ms-id the H-SLP shall apply subscriber privacy against the client-id. The hist-params parameter in the HLIR message defines criteria to be applied by the SET when selecting historical position to be reported to the SUPL Agent (e.g. time window, QoP, positioning method, etc.).
- B. The H-SLP initiates the retrieval of historical positions with the SET using the SUPL INIT message. The SUPL INIT message contains at least session-id, posmethod, SLP mode, supported network measurements and criteria for selecting stored historical position estimates and/or stored enhanced cell/sector measurements (historic reporting). Historical data retrieval is indicated by posmethod: *historical data retrieval*. If the result of the privacy check in Step A indicates that notification or verification to the target subscriber is needed, the H-SLP SHALL also include the Notification element in the SUPL INIT message. Before the SUPL INIT message is sent, the H-SLP also computes and stores a hash of the message.
- C. The SET analyses the received SUPL INIT. If it is found to be non authentic, the SET takes no further action. Otherwise the SET takes needed action preparing for establishment or resumption of a secure connection.
- D. The SET will evaluate the Notification rules and follow the appropriate actions. The SET then establishes a secure connection to the H-SLP using a H-SLP address that has been provisioned by the Home Network to the SET. The SET selects historical position estimates and/or historic enhanced cell/sector measurements based on the criteria received in step B and sends the positions and/or enhanced cell/sector measurements in a SUPL REPORT message to the H-SLP. The SUPL REPORT message contains session-id, a hash of the received SUPL INIT message (ver) and positions and/or enhanced cell/sector measurements.
- E. If in step D the H-SLP received enhanced cell/sector measurements, the H-SLP converts them into position estimates. However, enhanced cell/sector measurements taken while the SET was SUPL Roaming, cannot to be converted into position estimates by the H-SLP. These measurements are instead forwarded to the respective V-SLC in an RLP-SRLIR message.

- F. This step is optional: if the V-SLC cannot convert received historical enhanced cell/sector measurements into position estimates, it sends the measurements in a PLREQ message to the V-SPC for conversion.
- G. This step is optional and only takes place if step F has taken place: the V-SPC sends the converted position estimates back to the V-SLC in a PLRES message.
- H. The V-SLC returns the results to the H-SLP in an RLP-SRLIA message.
- I. The H-SLP reports the historical position estimates to the SUPL Agent in an MLP HLIA message.

## 6.9 V-SLP to V-SLP Handover

The V-SLP to V-SLP handover which is defined in [SUPL 2 ULP TS] sections 5.1.11 and 5.2.12 does not have implications for ILP since the mechanism for determining of whether or not a SET is SUPL Roaming within a particular SLP's SUPL coverage is out of scope of SUPL.

## 6.10 V-SPC to V-SPC Handover

The V-SPC to V-SPC handover which is defined in [SUPL 2 ULP TS] sections 5.1.11 and 5.2.13 does not have implications for ILP since the mechanism for determining of whether or not a SET is SUPL Roaming within a particular SLP's SUPL coverage is out of scope of SUPL.

## 7. Detailed Flows - Triggered Services: Area Event Triggers

The flows in this section are those in which area event triggers are used.

Set up and release of connections:

Before sending any ULP messages the SET SHALL take needed actions such that a TLS connection exists to the SLP/SLC. This can be achieved by establishing a new connection, resume a connection or reuse an existing TLS connection. This includes establishment or utilization of various data connectivity resources that depends on the terminal in which the SET resides and the type of access network. Data connectivity below IP-level is out of scope of this document.

The detailed flows in this section describes when a TLS connection no longer is needed. The TLS connection shall then be released unless another SUPL session is using the TLS connection.

Note regarding the use of LPP and LPPe in SUPL 2.0: It is possible to use LPP (by itself) or in combination with LPPe (LPP+LPPe) as a positioning protocol. Thereby the following convention applies: *LPP* implies use of *LPP only* (i.e. without LPPe); *LPPe* implies use of *LPP and LPPe*; and *LPP/LPPe* implies use of either *LPP* without *LPPe* or *LPP* with *LPPe*. A SUPL POS (RRLP/RRC/TIA-801/LPP/LPPe) message means a SUPL POS message carrying either RRLP, RRC, TIA-801, LPP or LPP+LPPe positioning payload.

### 7.1 Network Initiated – Proxy mode

This section describes the flows for Network Initiated area event triggered services for proxy mode. The trigger thereby resides in the SET and the SET makes the decision if an area event occurred based on continuously repeated position determinations.

### 7.1.1 Non-Roaming Successful Case

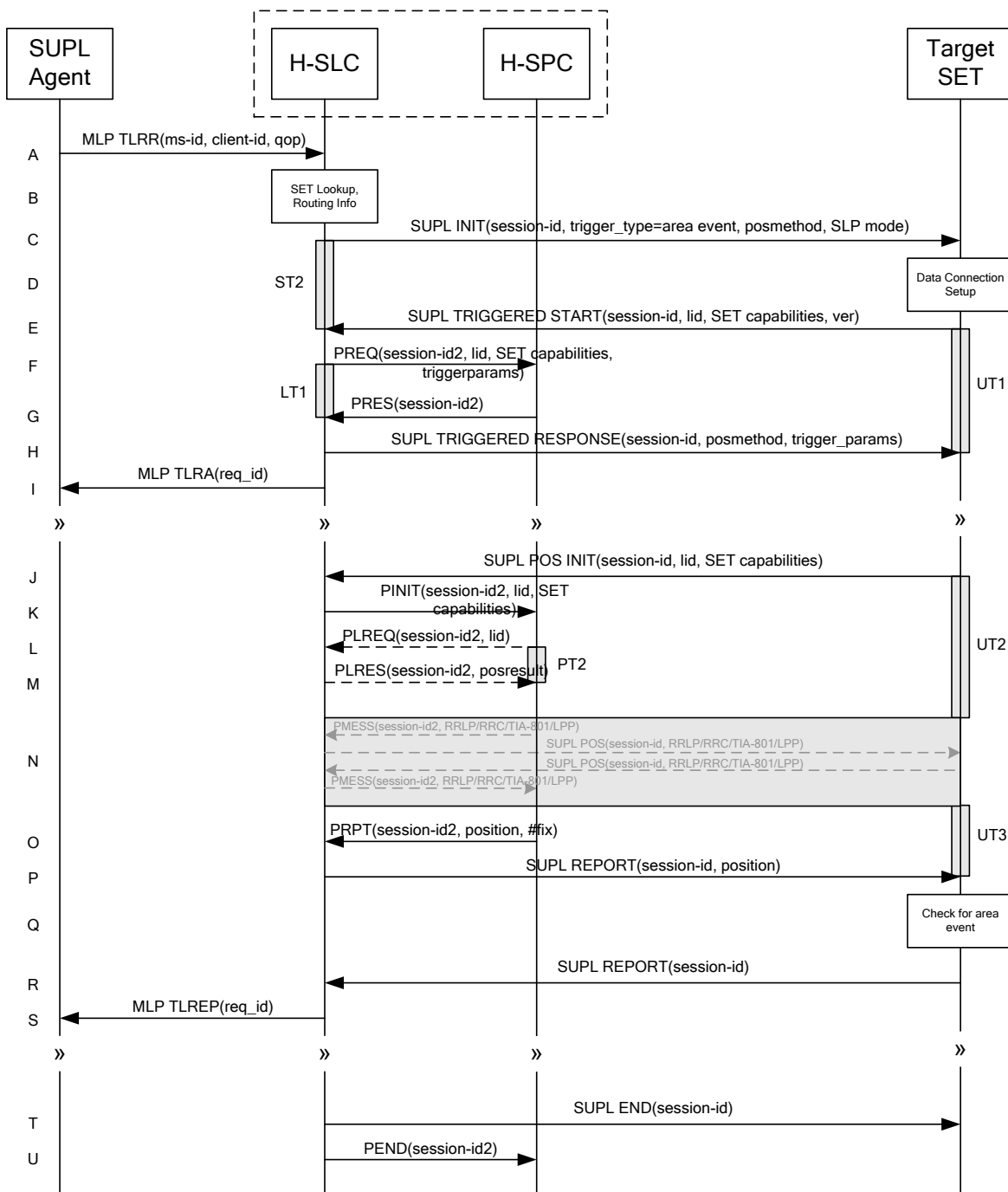


Figure 59: Network Initiated Area Event Trigger Service Non-Roaming Successful Case – Proxy Mode

NOTE 1: See Appendix C for timer descriptions.

- A. SUPL Agent issues an MLP TLRR message to the H-SLC, with which SUPL Agent is associated. The H-SLC shall authenticate the SUPL Agent and check if the SUPL Agent is authorized for the service it requests, based on the client-id received. Further, based on the received ms-id the H-SLC shall apply subscriber privacy against the client-id.

- B. The H-SLC verifies that the target SET is currently not SUPL Roaming.  
The H-SLC MAY also verify that the target SET supports SUPL.

NOTE 2: The specifics for determining if the SET is SUPL Roaming or not is considered outside the scope of SUPL. However, there are various environment dependent mechanisms.

NOTE 3: Alternatively, the H-SLP may determine whether the SET is SUPL Roaming in a later step using the location identifier (lid) received from the SET.

NOTE 4: The specifics for determining if the SET supports SUPL are beyond SUPL 2.1 scope.

- C. The H-SLC initiates the area event trigger session with the SET using the SUPL INIT message. The SUPL INIT message contains at least session-id, trigger type indicator (in this case area event), proxy/non-proxy mode indicator and the intended positioning method. If the result of the privacy check in Step A indicates that subscriber privacy check based on current location is required, the H-SLP SHALL set notification mode to notification based on current location and SHALL NOT include the notification element in the SUPL INIT message; otherwise, the H-SLP SHALL set the notification mode indicator to normal notification and if notification or verification to the target subscriber is needed, the H-SLP SHALL also include the notification element in the SUPL INIT message. Before the SUPL INIT message is sent, the H-SLC also computes and stores a hash of the message.
- D. The SET analyses the received SUPL INIT. If it is found to be non authentic, the SET takes no further action. Otherwise the SET takes needed action preparing for establishment or resumption of a secure connection.
- E. The SET will evaluate the Notification rules and follow the appropriate actions. The SET also checks the proxy/non-proxy mode indicator to determine if the H-SLP uses proxy or non-proxy mode. In this case, proxy mode is used, and the SET SHALL establish a secure connection to the H-SLC using SLP address that has been provisioned by the Home Network to the SET.  
The SET then sends a SUPL TRIGGERED START message to start an area event triggered session with the H-SLC. The SET SHALL send the SUPL TRIGGERED START message even if the SET supported positioning technologies do not include the intended positioning method indicated in the SUPL INIT message. The SUPL TRIGGERED START message contains at least session-id, SET capabilities, a hash of the received SUPL INIT message (ver) and Location ID (lid). The SET capabilities include the supported positioning methods (e.g., SET-Assisted A-GPS, SET-Based A-GPS) and associated positioning protocols (e.g., RRLP, RRC, TIA-801 or LPP/LPPe).
- F. The H-SLC requests service from the H-SPC for an area event triggered SUPL session by sending a PREQ message containing the session-id2, the SET capabilities, the triggerparams and the lid. The PREQ MAY also optionally contain the QoP. The H-SLC MAY include its approved positioning methods for this session. If the approved positioning methods are not included, the H-SPC SHALL assume that all its available positioning methods have been approved.
- G. The H-SPC accepts the service request for a SUPL session from the H-SLC with a PRES message containing the session-id2. The H-SPC MAY include a preferred positioning method in the PRES. The H-SPC MAY include its supported positioning methods in the PRES.
- H. Consistent with the SET capabilities received in the SUPL TRIGGERED START message the H-SLC selects a positioning method to be used for the area event triggered session. If the H-SPC included a list of supported posmethods in step G, the chosen posmethod SHALL be on this list. The H-SLC responds with a SUPL TRIGGERED RESPONSE message including session-id, posmethod and area event trigger parameters. The SUPL TRIGGERED RESPONSE message may contain the area ids of the specified area for the area event triggered session.
- I. The H-SLC informs the SUPL Agent in an MLP TLRA message that the triggered location response request has been accepted and also includes a req\_id parameter to be used as a transaction id for the entire duration of the area event triggered session. The SET and the H-SLC MAY release the secure connection.

NOTE 5: The MLP TLRA may be sent earlier at any time after the H-SLP receives the MLP TLRR.

- J. If the area ids are downloaded in step H, the SET SHALL compare the current area id to the downloaded area ids. When the area event trigger mechanism in the SET or the comparison of the current area id to the downloaded area

ids indicates that a position fix is to be executed, the SET takes appropriate action establishing or resuming a secure connection. The SET then sends a SUPL POS INIT message to start a positioning session with the H-SLP. The SUPL POS INIT message contains at least session-id and the Location ID (lid). The SET MAY provide NMR specific for the radio technology being used (e.g., for GSM: TA, RXLEV). The SET MAY provide its position, if this is supported. The SET MAY set the Requested Assistance Data element in the SUPL POS INIT.

If a position calculated based on information received in the SUPL POS INIT message is available (e.g. a cell-id based position fix) that meets the required QoP, the H-SLC MAY directly proceed to step P and not engage in a SUPL POS session.

- K. The H-SLC sends a PINIT message to the H-SPC. The H-SLC MAY include a posmethod in the PINIT. This posmethod may either be the posmethod recommended by the H-SPC in step G, or a different posmethod of the H-SLC's choosing, as long as it is one supported by the H-SPC. Based on the PINIT message including the SET capabilities, the H-SPC SHALL determine the posmethod. If a posmethod has been included in the PINIT by the H-SLC, the H-SPC SHALL use that posmethod, unless it does not meet the SET capabilities. If no posmethod parameter was included in the PINIT, the H-SPC shall choose any posmethod in line with the SET capabilities which was approved by the H-SLC in step F. If a coarse position calculated based on information received in the PINIT message is available that meets the required QoP, the H-SPC MAY directly proceed to step O and not engage in a SUPL POS session.
- L. If the H-SPC cannot translate the lid received in step K into a coarse position, the H-SPC sends a PLREQ message to the H-SLC. The PLREQ message contains the session-id2 and the lid. This step is optional and not required if the H-SPC can perform the translation from lid into coarse position itself.
- M. This step is conditional and only occurs if step L was performed. The H-SLC calculates a coarse position based on lid and reports the result back to the H-SPC in a PLRES message. PLRES contains the session-id2 and the posresult. If the coarse position meets the required QoP, the H-SPC MAY directly proceed to step O and not engage in a SUPL POS session.
- N. The SET and the H-SPC exchange several successive positioning procedure messages. Thereby the positioning procedure payload (RRLP/RRC/TIA-801/LPP/LPPE) is transferred between the H-SPC and the H-SLC using PMESS messages. PMESS includes the session-id2 and the positioning procedure payload (RRLP/RRC/TIA-801/LPP/LPPE). The positioning procedure payload (RRLP/RRC/TIA-801/LPP/LPPE) is transferred between the H-SLC and the SET using SUPL POS messages (the PMESS – SUPL POS – SUPL POS – PMESS message exchange is conceptually shown in dotted lines).  
The H-SPC calculates the position estimate based on the received positioning measurements (SET-Assisted) or the SET calculates the position estimate based on assistance obtained from the H-SPC (SET-Based).
- O. Once the position calculation is complete the H-SPC sends a PRPT message to the H-SLC. PRPT contains the session-id2, the position result if calculated in H-SPC and the number of the fix.
- P. Once the position calculation is complete the H-SLC sends a SUPL REPORT message to the SET. The SET MAY release the secure connection to the H-SLC.  
The SUPL REPORT message includes the position result if the position estimate is calculated in the H-SLP and therefore needs to be sent to the SET.
- Q. The SET compares the calculated position estimate with the event area to check if the event trigger condition has been met. If no area event is triggered, the SET SHALL return to step J. If an area event is triggered, the SET SHALL proceed to step R.
- R. The SET sends a SUPL REPORT message including the session id and the position estimate to the H-SLC unless the Location estimate parameter is set to "false" in which case no position estimate is included.
- S. The H-SLC sends an MLP TLREP message to the SUPL Agent which may include the position result.

If the SUPL Agent has requested several reports and more reports are to be sent, the SET repeats steps J to S or steps J to Q depending on whether or not the area event condition has been met. Note that in this case, step R occurs only after the minimum time between reports has elapsed.



- T. When the last report has been sent the H-SLC ends the area event triggered session by sending a SUPL END message to the SET.
- U. The H-SLC informs the H-SPC about the end of the triggered session by sending a PEND message. PEND contains the session-id2.

The flow described in Figure 59 is applicable to all positioning methods, however, individual steps within the flows are optional:

- Step N is not performed for cell-id based positioning methods.
- Steps K, L and M may or may not be performed for cell-id based positioning methods.

In A-GPS SET Based mode where no GPS assistance data is required from the network, no interaction with the H-SLP is required to calculate a position estimate. Interaction with the H-SLP is only required for GPS assistance data update in which case steps J to P are performed.

### 7.1.2 Roaming with V-SLP Positioning Successful Case

SUPL Roaming where the V-SLP is involved in the position calculation.

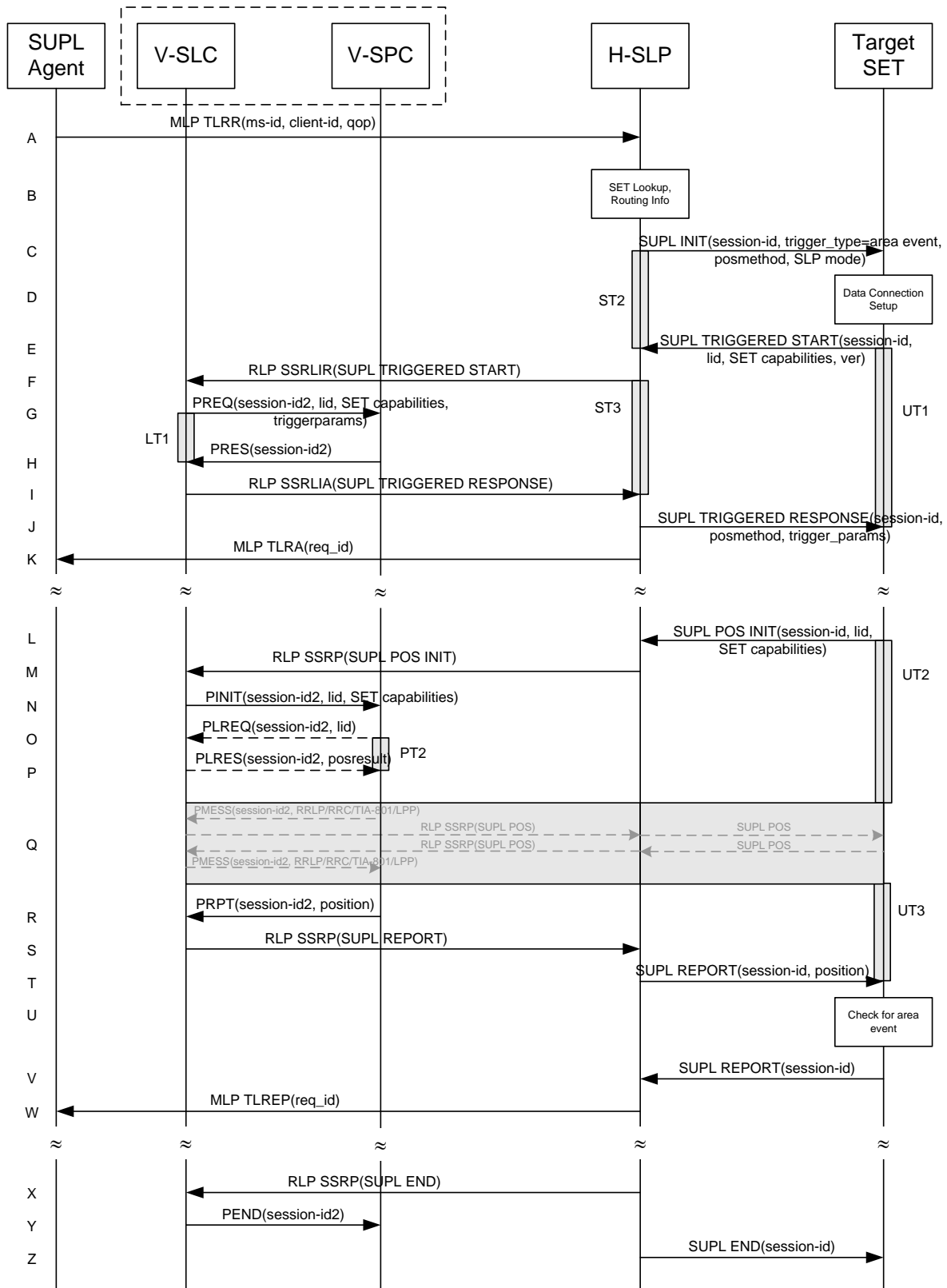


Figure 60: Network Initiated Area Event Trigger Service Roaming Successful Case – Proxy with V-SLP positioning

NOTE 1: See Appendix C for timer descriptions.

- A. SUPL Agent issues an MLP TLRR message to the H-SLP, with which SUPL Agent is associated. The H-SLP shall authenticate the SUPL Agent and check if the SUPL Agent is authorized for the service it requests, based on the client-id received. Further, based on the received ms-id the H-SLP shall apply subscriber privacy against the client-id.
- B. The H-SLP verifies that the target SET is currently SUPL Roaming.  
The H-SLP MAY also verify that the target SET supports SUPL.

NOTE 2: The specifics for determining if the SET is SUPL Roaming or not is considered outside the scope of SUPL. However, there are various environment dependent mechanisms.

NOTE 3: Alternatively, the H-SLP may determine whether the SET is SUPL Roaming in a later step using the location identifier (lid) received from the SET.

NOTE 4: The specifics for determining if the SET supports SUPL are beyond SUPL 2.1 scope.

- C. The H-SLP initiates the area event trigger session with the SET using the SUPL INIT message. The SUPL INIT message contains at least session-id, trigger type indicator (in this case area event), proxy/non-proxy mode indicator and the intended positioning method. If the result of the privacy check in Step A indicates that notification or verification to the target subscriber is needed, the H-SLP SHALL also include the Notification element in the SUPL INIT message. Before the SUPL INIT message is sent, the H-SLP also computes and stores a hash of the message.
- D. The SET analyses the received SUPL INIT. If it is found to be non authentic, the SET takes no further action. Otherwise the SET takes needed action preparing for establishment or resumption of a secure connection.
- E. The SET will evaluate the Notification rules and follow the appropriate actions. The SET also checks the proxy/non-proxy mode indicator to determine if the H-SLP uses proxy or non-proxy mode. In this case, proxy mode is used, and the SET SHALL establish a secure connection to the H-SLP using SLP address that has been provisioned by the Home Network to the SET.  
The SET then sends a SUPL TRIGGERED START message to start an area event triggered session with the H-SLP. The SET SHALL send the SUPL TRIGGERED START message even if the SET supported positioning technologies do not include the intended positioning method indicated in the SUPL INIT message. The SUPL TRIGGERED START message contains at least session-id, SET capabilities, a hash of the received SUPL INIT message (ver) and Location ID (lid). The SET capabilities include the supported positioning methods (e.g., SET-Assisted A-GPS, SET-Based A-GPS) and associated positioning protocols (e.g., RRLP, RRC, TIA-801 or LPP/LPPe).
- F. Based on the received lid or other mechanisms, the H-SLP determines the V-SLP and sends an RLP SSRLIR including the SUPL TRIGGERED START message to the V-SLC to inform the V-SLC that the target SET will initiate a SUPL positioning procedure. The area event trigger parameters such as area information requested by SUPL Agent for the area event triggered session MAY be included in this message by the H-SLP.
- G. The V-SLC requests service from the V-SPC for an area event triggered SUPL session by sending a PREQ message containing the session-id2, the SET capabilities, the triggerparams and the lid. The PREQ MAY optionally contain the QoP. The V-SLC MAY include its approved positioning methods for this session. If the approved positioning methods are not included, the V-SPC SHALL assume that all its available positioning methods have been approved.
- H. The V-SPC accepts the service request for a SUPL session from the V-SLC with a PRES message containing the session-id2. The V-SPC MAY include a preferred positioning method in the PRES. The V-SPC MAY include its supported positioning methods in the PRES.
- I. Consistent with the SET capabilities received in step F, the V-SLC determines a posmethod to be used for the area event triggered session. If the V-SPC included a list of supported posmethods in step H, the chosen posmethod SHALL be on this list. The V-SLC indicates its readiness for an area event triggered session by sending a SUPL TRIGGERED RESPONSE message back to the H-SLP in a RLP SSRLIA message. The V-SLC MAY include area ids corresponding to the area for the area event trigger session in the SUPL TRIGGERED RESPONSE message.
- J. The H-SLP forwards the received SUPL TRIGGERED RESPONSE message to the SET including session-id, posmethod and area event trigger parameters. The SUPL TRIGGERED RESPONSE message may contain the area ids of the specified area for the area event triggered session.

- K. The H-SLP informs the SUPL Agent in an MLP TLRA message that the triggered location response request has been accepted and also includes a req\_id parameter to be used as a transaction id for the entire duration of the area event triggered session. The SET and the H-SLP MAY release the secure connection.

NOTE 5: The MLP TLRA may be sent earlier at any time after the H-SLP receives the MLP TLRR.

- L. If the area ids are downloaded in step J, the SET SHALL compare the current area id to the downloaded area ids. When the area event trigger in the SET or the comparison of the current area id to the downloaded area ids indicates that a position fix has to be performed, the SET takes appropriate action establishing or resuming a secure connection. The SET then sends a SUPL POS INIT message to the H-SLP to start a positioning session with the V-SLP. The SUPL POS INIT message contains at least session-id and the Location ID (lid). The SET MAY provide NMR specific for the radio technology being used (e.g., for GSM: TA, RXLEV). The SET MAY provide its position, if this is supported. The SET MAY set the Requested Assistance Data element in the SUPL POS INIT. If a position is received in the SUPL POS INIT message that meets the required QoP, the H-SLP MAY directly proceed to step T and not engage in a SUPL POS session.
- M. The H-SLP forwards the SUPL POS INIT message to the V-SLC using a RLP SSRP message. If a position calculated based on information received in the SUPL POS INIT message is available (e.g. a cell-id based position fix) that meets the required QoP, the V-SLC MAY directly proceed to step S and not engage in a SUPL POS session.
- N. The V-SLC sends a PINIT message to the V-SPC including session-id2, location id and SET capabilities. The V-SLC MAY include a posmethod in the PINIT. This posmethod may either be the posmethod recommended by the V-SPC in step G, or a different posmethod of the V-SLC's choosing, as long as it is one supported by the V-SPC. Based on the PINIT message including the SET capabilities, the V-SPC SHALL determine the posmethod. If a posmethod has been included in the PINIT by the V-SLC, the V-SPC SHALL use that posmethod, unless it does not meet the SET capabilities. If no posmethod parameter was included in the PINIT, the V-SPC shall choose any posmethod in line with the SET capabilities, which was approved by the V-SLC in step F. If a coarse position calculated based on information received in the PINIT message is available that meets the required QoP, the V-SPC MAY directly proceed to step R and not engage in a SUPL POS session.
- O. If the V-SPC cannot translate the lid received in step N into a coarse position, the V-SPC sends a PLREQ message to the V-SLC. The PLREQ message contains the session-id2 and the lid. This step is optional and not required if the V-SPC can perform the translation from lid into coarse position itself.
- P. This step is conditional and only occurs if step O was performed. The V-SLC reports the coarse position result back to the V-SPC in a PLRES message. PLRES contains the session-id2 and the posresult. If the coarse position meets the required QoP, the V-SPC MAY directly proceed to step R and not engage in a SUPL POS session.
- Q. The SET and the V-SPC exchange several successive positioning procedure messages. Thereby the positioning procedure payload (RRLP/RRC/TIA-801/LPP/LPPe) is transferred between the V-SPC and the V-SLC using PMESS messages. PMESS includes the session-id2 and the positioning procedure payload (RRLP/RRC/TIA-801/LPP/LPPe). The positioning procedure payload (RRLP/RRC/TIA-801/LPP/LPPe) is transferred between the V-SLC and the H-SLC using SUPL POS over RLP tunnel messages. The positioning procedure payload (RRLP/RRC/TIA-801/LPP/LPPe) is transferred between the H-SLC and the SET using SUPL POS messages. The flow sequence PMESS – RLP SSRP(SUPL POS) – SUPL POS – SUPL POS – RLP SSRP(SUPL POS) – PMESS is conceptually shown in dotted lines.  
The V-SPC calculates the position estimate based on the received positioning measurements (SET-Assisted) or the SET calculates the position estimate based on assistance obtained from the V-SPC (SET-Based).
- R. Once the position calculation is complete, the V-SPC sends a PRPT message to the V-SLC. PRPT contains the session-id2 and the position result if calculated in V-SPC. This message is optional and only used if the position was calculated by the V-SPC i.e. in SET Assisted mode.
- S. Once the position calculation is complete, the V-SLC sends a SUPL REPORT message carried within an RLP SSRP message.  
The SUPL REPORT message includes the position estimate if the position estimate is calculated in the V-SLP and therefore needs to be sent to the SET.

- T. The H-SLP forwards the received SUPL REPORT from the V-SLC in a SUPL REPORT message to the SET. The SET MAY release the secure connection to the H-SLP. The SUPL REPORT message includes the position estimate if the position estimate is calculated in the V-SLP (or the H-SLP) and therefore needs to be sent to the SET.
- U. The SET compares the calculated position estimate with the event area to check if the event trigger condition has been met. If no area event is triggered, the SET SHALL return to step L. If an area event is triggered, the SET SHALL proceed to step V.
- V. The SET sends a SUPL REPORT message including the session id and the position estimate to the H-SLC unless the Location estimate parameter is set to “false” in which case no position estimate is included.
- W. The H-SLP sends an MLP TLREP message to the SUPL Agent which may include the position result.
- If the SUPL Agent has requested several reports and more reports are to be sent, the SET repeats steps L to W or steps L to U depending on whether or not the area event condition has been met. Note that in this case, step V occurs only after the minimum time between reports has elapsed.
- X. When the last report has been sent, the H-SLP ends the area event triggered session with the V-SLP by sending a SUPL END message using an RLP SSRP tunnel message to the V-SLC.
- Y. The V-SLC informs the V-SPC about the end of the area event triggered session via a PEND message. PEND contains the session-id2.
- Z. The H-SLP ends the area event triggered session by sending a SUPL END message to the SET.

The flow described in Figure 60 is applicable to all positioning methods, however, individual steps within the flows are optional:

- Step Q is not performed for cell-id based positioning methods.
- Steps N, O and P may or may not be performed for cell-id based positioning methods.

In A-GPS SET Based mode where no GPS assistance data is required from the network, no interaction with the H-SLP/V-SLP is required to calculate a position estimate. Interaction with the H-SLP/V-SLP is only required for GPS assistance data update in which case steps L to T are performed.

### 7.1.3 Roaming with H-SLP Positioning Successful Case

SUPL Roaming where the H-SLP is involved in the position calculation.

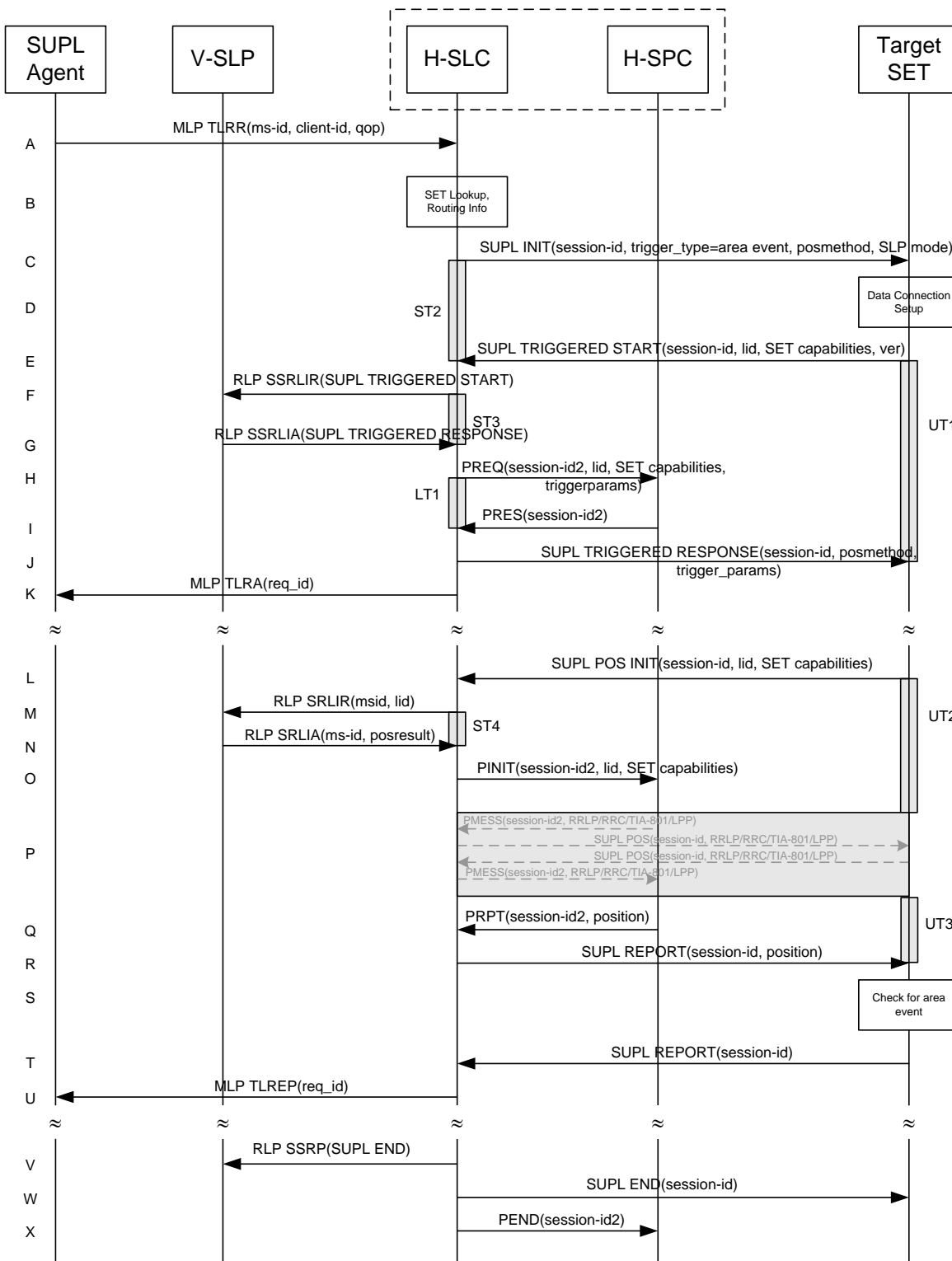


Figure 61: Network Initiated Area Event Trigger Service Roaming Successful Case – Proxy with H-SLP positioning

NOTE 1: See Appendix C for timer descriptions.

- A. SUPL Agent issues an MLP TLRR message to the H-SLC, with which SUPL Agent is associated. The H-SLC shall authenticate the SUPL Agent and check if the SUPL Agent is authorized for the service it requests, based on the

client-id received. Further, based on the received ms-id the H-SLC shall apply subscriber privacy against the client-id.

- B. The H-SLC verifies that the target SET is currently SUPL Roaming.  
The H-SLC MAY also verify that the target SET supports SUPL.

NOTE 2: The specifics for determining if the SET is SUPL Roaming or not is considered outside the scope of SUPL. However, there are various environment dependent mechanisms.

NOTE 3: Alternatively, the H-SLP may determine whether the SET is SUPL Roaming in a later step using the location identifier (lid) received from the SET.

NOTE 4: The specifics for determining if the SET supports SUPL are beyond SUPL 2.1 scope.

- C. The H-SLC initiates the area event trigger session with the SET using the SUPL INIT message. The SUPL INIT message contains at least session-id, trigger type indicator (in this case area event), proxy/non-proxy mode indicator and the intended positioning method. If the result of the privacy check in Step A indicates that subscriber privacy check based on current location is required, the H-SLP SHALL set notification mode to notification based on current location and SHALL NOT include the notification element in the SUPL INIT message; otherwise, the H-SLP SHALL set the notification mode indicator to normal notification and if notification or verification to the target subscriber is needed, the H-SLP SHALL also include the notification element in the SUPL INIT message. Before the SUPL INIT message is sent, the H-SLC also computes and stores a hash of the message.
- D. The SET analyses the received SUPL INIT. If it is found to be non authentic, the SET takes no further action. Otherwise the SET takes needed action preparing for establishment or resumption of a secure connection.
- E. The SET will evaluate the Notification rules and follow the appropriate actions. The SET also checks the proxy/non-proxy mode indicator to determine if the H-SLP uses proxy or non-proxy mode. In this case, proxy mode is used, and the SET SHALL establish a secure connection to the H-SLC using SLP address that has been provisioned by the Home Network to the SET.  
The SET then sends a SUPL TRIGGERED START message to start an area event triggered session with the H-SLP. The SET SHALL send the SUPL TRIGGERED START message even if the SET supported positioning technologies do not include the intended positioning method indicated in the SUPL INIT message. The SUPL TRIGGERED START message contains at least session-id, SET capabilities, a hash of the received SUPL INIT message (ver) and Location ID (lid). The SET capabilities include the supported positioning methods (e.g., SET-Assisted A-GPS, SET-Based A-GPS) and associated positioning protocols (e.g., RRLP, RRC, TIA-801 or LPP/LPPE).
- F. Based on the received lid or other mechanisms, the H-SLC determines the V-SLP and sends an RLP SSRLIR including a SUPL TRIGGERED START to the V-SLP to inform the V-SLP that an area event triggered session is in the progress of being initiated with the H-SLP. The area event trigger parameters such as area information requested by SUPL Agent for the area event triggered session MAY be included in this message by the H-SLP.
- G. The V-SLP acknowledges the RLP request received in step F with a SUPL TRIGGERED RESPONSE message which is carried inside an RLP SSRLIA message. The V-SLP MAY include area ids corresponding to the area for the area event trigger session in the SUPL TRIGGERED RESPONSE message.
- H. The H-SLC requests service from the H-SPC for an area event triggered SUPL session by sending a PREQ message containing the session-id2, the SET capabilities, the triggerparams and the lid. The PREQ MAY optionally contain the QoP. The H-SLC MAY include its approved positioning methods for this session. If the approved positioning methods are not included, the H-SPC SHALL assume that all its available positioning methods have been approved.
- I. The H-SPC accepts the service request for a SUPL session from the H-SLC with a PRES message containing the session-id2. The H-SPC MAY include a preferred positioning method in the PRES. The H-SPC MAY include its supported positioning methods in the PRES.
- J. Consistent with the SET capabilities received in step E, the H-SLP determines a posmethod to be used for the area event triggered session. If the H-SPC included a list of supported posmethods in step I, the chosen posmethod SHALL be on this list. The H-SLC indicates its readiness for an area event triggered session by sending a SUPL TRIGGERED RESPONSE message back to the SET. The SUPL TRIGGERED RESPONSE message to the SET

includes at a minimum the session-id, posmethod and area event trigger parameters. The SUPL TRIGGERED RESPONSE message may contain the area ids of the specified area for the area event triggered session.

- K. The H-SLC informs the SUPL Agent in an MLP TLRA message that the triggered location response request has been accepted and also includes a req\_id parameter to be used as a transaction id for the entire duration of the area event triggered session. The SET and the H-SLP MAY release the secure connection.

NOTE 5: The MLP TLRA may be sent earlier at any time after the H-SLP receives the MLP TLRR.

- L. If the area ids are downloaded in step J, the SET SHALL compare the current area id to the downloaded area ids. When the area event trigger in the SET or the comparison of the current area id to the downloaded area ids indicates that a position fix has to be performed, the SET takes appropriate action establishing or resuming a secure connection. The SET then sends a SUPL POS INIT message to the H-SLC to start a positioning session with the H-SLP. The SUPL POS INIT message contains at least session-id and the Location ID (lid). The SET MAY provide NMR specific for the radio technology being used (e.g., for GSM: TA, RXLEV). The SET MAY provide its position, if this is supported. The SET MAY set the Requested Assistance Data element in the SUPL POS INIT. If the SUPL POS INIT message contains a position that meets the required QoP, the H-SLC MAY directly proceed to step R.
- M. To obtain a coarse position based on lid received in step L, the H-SLC sends an RLP SRLIR message to the V-SLP.
- N. The V-SLP translates the received lid into a position estimate and returns the result to the H-SLC in an RLP SRLIA message.  
If the position estimate meets the required QoP, the H-SLC MAY directly proceed to step R and not engage in a SUPL POS session.
- O. The H-SLC sends a PINIT message to the H-SPC including session-id2, location id, SET capabilities and position estimate (i.e. coarse position received from the V-SLC in the previous step). The H-SLC MAY include a posmethod in the PINIT. This posmethod may either be the posmethod recommended by the H-SPC in step I, or a different posmethod of the H-SLC's choosing, as long as it is one supported by the H-SPC. Based on the PINIT message including the SET capabilities, the H-SPC SHALL determine the posmethod. If a posmethod has been included in the PINIT by the H-SLC, the H-SPC SHALL use that posmethod, unless it does not meet the SET capabilities. If no posmethod parameter was included in the PINIT, the H-SPC shall choose any posmethod in line with the SET capabilities which was approved by the H-SLC in step H. If a coarse position calculated based on information received in the PINIT message is available that meets the required QoP, the H-SPC MAY directly proceed to step Q and not engage in a SUPL POS session.
- P. The SET and the H-SPC exchange several successive positioning procedure messages. Thereby the positioning procedure payload (RRLP/RRC/TIA-801/LPP/LPPE) is transferred between the H-SPC and the H-SLC using PMESS messages. PMESS includes the session-id2 and the positioning procedure payload (RRLP/RRC/TIA-801/LPP/LPPE). The positioning procedure payload (RRLP/RRC/TIA-801/LPP/LPPE) is transferred between the H-SLC and the SET using SUPL POS messages (the PMESS – SUPL POS – SUPL POS – PMESS message exchange is conceptually shown in dotted lines).  
The H-SPC calculates the position estimate based on the received positioning measurements (SET-Assisted) or the SET calculates the position estimate based on assistance obtained from the H-SPC (SET-Based).
- Q. Once the position calculation is complete, the H-SPC sends a PRPT message to the H-SLC. PRPT contains the session-id2 and the position result if calculated in H-SPC.
- R. Once the position calculation is complete, the H-SLC sends a SUPL REPORT message to the SET.  
The SUPL REPORT message includes the position estimate if the position estimate is calculated in the H-SLP and therefore needs to be sent to the SET.
- S. The SET compares the calculated position estimate with the event area to check if the event trigger condition has been met. If no area event is triggered, the SET SHALL return to step L. If an area event is triggered, the SET SHALL proceed to step T.
- T. The SET sends a SUPL REPORT message including the session id and the position estimate to the H-SLC unless the Location estimate parameter is set to "false" in which case no position estimate is included.



U. The H-SLC sends an MLP TLREP message to the SUPL Agent which may include the position result.

If the SUPL Agent has requested several reports and more reports are to be sent, the SET repeats steps L to U or steps L to S depending on whether or not the area event condition has been met. Note that in this case, step T occurs only after the minimum time between reports has elapsed.

- V. When the last report has been sent the H-SLC ends the area event triggered session with the V-SLP by sending a SUPL END message using an RLP SSRP tunnel message to the V-SLP.
- W. The H-SLC ends the area event triggered session with the SET via a SUPL END message.
- X. The H-SLC informs the H-SPC about the end of the area event triggered session via a PEND message. PEND contains session-id2.

The flow described in Figure 61 is applicable to all positioning methods; however, individual steps within the flows are optional:

- Step P is not performed for cell-id based positioning methods.
- Steps M, N and O may or may not be performed for cell-id based positioning methods.

In A-GPS SET Based mode where no GPS assistance data is required from the network, no interaction with the H-SLP/V-SLP is required to calculate a position estimate. Interaction with the H-SLP/V-SLP is only required for GPS assistance data update in which case steps L to R are performed.

## 7.2 Network Initiated – Non-Proxy mode

This section describes the flows for Network Initiated area event triggered services for non-proxy mode. The trigger thereby resides in the SET and the SET makes the decision if an area event occurred based on continuously repeated position determinations.

### 7.2.1 Non-Roaming Successful Case

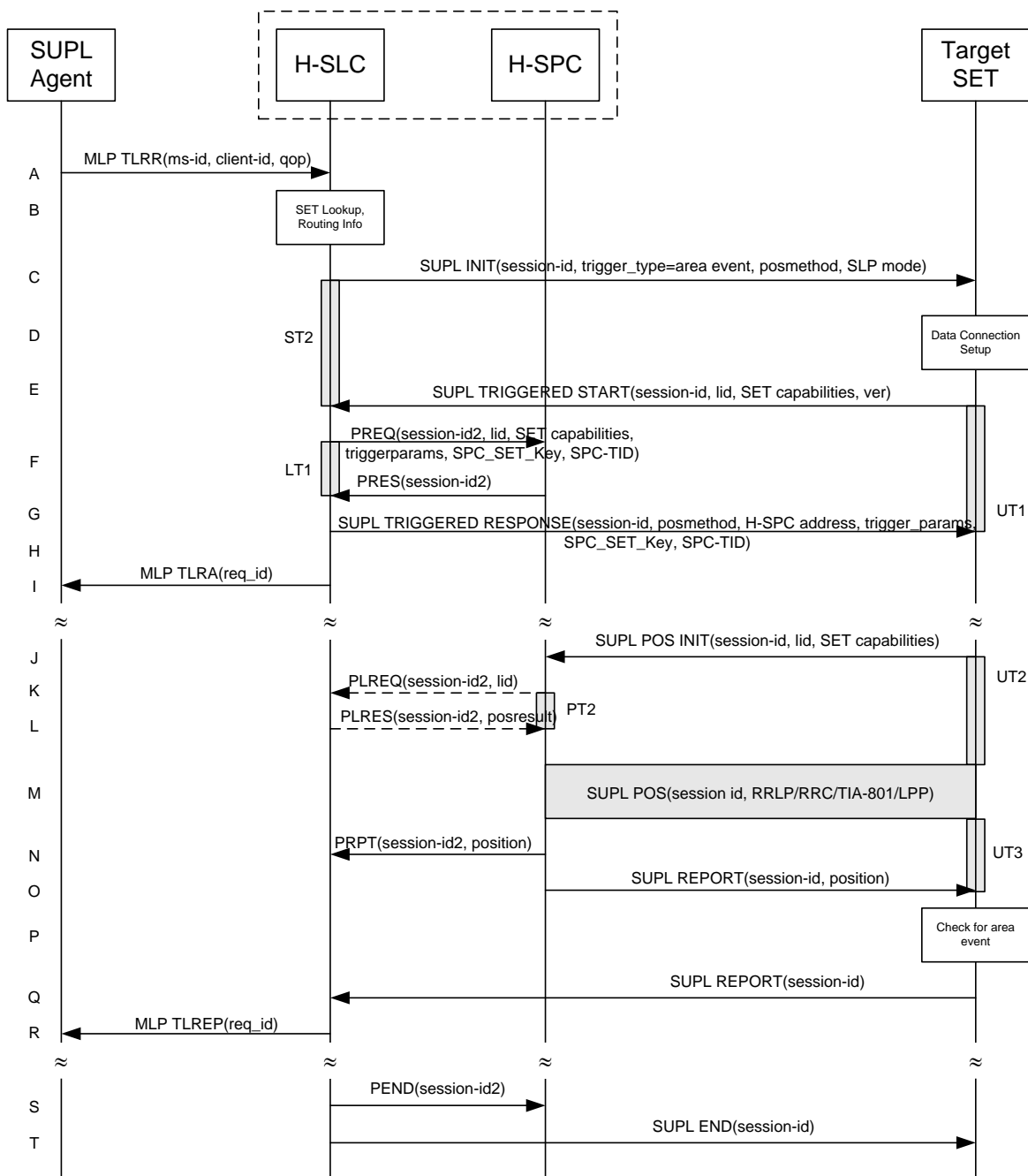


Figure 62: Network Initiated Area Event Trigger Service Non-Roaming Successful Case – Non-Proxy Mode

NOTE 1: See Appendix C for timer descriptions.

- A. SUPL Agent issues an MLP TLRR message to the H-SLC, with which SUPL Agent is associated. The H-SLC shall authenticate the SUPL Agent and check if the SUPL Agent is authorized for the service it requests, based on the client-id received. Further, based on the received ms-id the H-SLC shall apply subscriber privacy against the client-id.
- B. The H-SLC verifies that the target SET is currently not SUPL Roaming. The H-SLC MAY also verify that the target SET supports SUPL.

NOTE 2: The specifics for determining if the SET is SUPL Roaming or not is considered outside the scope of SUPL. However, there are various environment dependent mechanisms.

NOTE 3: Alternatively, the H-SLP may determine whether the SET is SUPL Roaming in a later step using the location identifier (lid) received from the SET.

NOTE 4: The specifics for determining if the SET supports SUPL are beyond SUPL 2.1 scope.

- C. The H-SLC initiates the area event trigger session with the SET using the SUPL INIT message. The SUPL INIT message contains at least session-id, trigger type indicator (in this case area event), proxy/non-proxy mode indicator and the intended positioning method. If the result of the privacy check in Step A indicates that subscriber privacy check based on current location is required, the H-SLP SHALL set notification mode to notification based on current location and SHALL NOT include the notification element in the SUPL INIT message; otherwise, the H-SLP SHALL set the notification mode indicator to normal notification and if notification or verification to the target subscriber is needed, the H-SLP SHALL also include the notification element in the SUPL INIT message. Before the SUPL INIT message is sent, the H-SLC also computes and stores a hash of the message.
- D. The SET analyses the received SUPL INIT. If it is found to be non authentic, the SET takes no further action. Otherwise the SET takes needed action preparing for establishment or resumption of a secure connection.
- E. The SET will evaluate the Notification rules and follow the appropriate actions. The SET also checks the proxy/non-proxy mode indicator to determine if the H-SLP uses proxy or non-proxy mode. In this case, non-proxy mode is used, and the SET SHALL establish a secure connection to the H-SLC using the H-SLP address which has been provisioned by the Home Network to the SET.  
The SET then sends a SUPL TRIGGERED START message to start an area event triggered session with the H-SLP. The SET SHALL send the SUPL TRIGGERED START message even if the SET supported positioning technologies do not include the intended positioning method indicated in the SUPL INIT message. The SUPL TRIGGERED START message contains at least session-id, SET capabilities, a hash of the received SUPL INIT message (ver) and Location ID (lid). The SET capabilities include the supported positioning methods (e.g., SET-Assisted A-GPS, SET-Based A-GPS) and associated positioning protocols (e.g., RRLP, RRC, TIA-801 or LPP/LPPe).
- F. The H-SLC requests service from the H-SPC for an area event triggered SUPL session by sending a PREQ message containing the session-id2, the SET capabilities, the triggerparams and the lid. The H-SLC generates SPC\_SET\_Key and SPC-TID to be used for mutual H-SPC/SET authentication and forwards both to the H-SPC in the PREQ message. The PREQ MAY also optionally contain the QoP. The H-SLC MAY include its approved positioning methods for this session. If the approved positioning methods are not included, the H-SPC SHALL assume that all its available positioning methods have been approved.
- G. The H-SPC accepts the service request for a SUPL session from the H-SLC with a PRES message containing the session-id2. The H-SPC MAY include a preferred positioning method in the PRES. The H-SPC MAY include its supported positioning methods in the PRES.
- H. Consistent with the SET capabilities received in the SUPL TRIGGERED START message the H-SLC selects a positioning method to be used for the area event triggered session. If the H-SPC included a list of supported posmethods in step G, the chosen posmethod SHALL be on this list. The H-SLC responds with a SUPL TRIGGERED RESPONSE message including session-id, posmethod, H-SPC address, area event trigger parameters, SPC\_SET\_Key and SPC-TID. The SUPL TRIGGERED RESPONSE message may contain the area ids of the specified area for the area event triggered session.
- I. The H-SLC informs the SUPL Agent in an MLP TLRA message that the triggered location response request has been accepted and also includes a req\_id parameter to be used as a transaction id for the entire duration of the area event triggered session.  
The SET and the H-SLC MAY release the secure connection.

NOTE 5: The MLP TLRA may be sent earlier at any time after the H-SLP receives the MLP TLRR.

- J. If the area ids are downloaded in step H, the SET SHALL compare the current area id to the downloaded area ids. When the area event trigger in the SET or the comparison of the current area id to the downloaded area ids indicates

that a position fix has to be performed, the SET takes appropriate action establishing or resuming a secure connection. The SET then sends a SUPL POS INIT message to start a positioning session with the H-SPC. The SUPL POS INIT message contains at least session-id and the Location ID (lid). The SET MAY provide NMR specific for the radio technology being used (e.g., for GSM: TA, RXLEV). The SET MAY provide its position, if this is supported. The SET MAY set the Requested Assistance Data element in the SUPL POS INIT.

If a position calculated based on information received in the SUPL POS INIT message is available (e.g. a cell-id based position fix) that meets the required QoP, the H-SPC MAY directly proceed to step N and not engage in a SUPL POS session.

- K. If the H-SPC cannot translate the lid received in step J into a coarse position, the H-SPC sends a PLREQ message to the H-SLC. The PLREQ message contains the session-id2 and the lid. This step is optional and not required if the H-SPC can perform the translation from lid into coarse position itself.
- L. This step is conditional and only occurs if step K was performed. The H-SLC reports the coarse position result back to the H-SPC in a PLRES message. PLRES contains the session-id2 and the posresult. If the coarse position meets the required QoP, the H-SPC MAY directly proceed to step N and not engage in a SUPL POS session.
- M. Based on the SUPL POS INIT message including posmethod(s) supported by the SET the H-SPC SHALL determine the posmethod. If the H-SLC included its approved positioning methods in step F, the H-SPC SHALL only choose an approved method. The SET and the H-SPC exchange several successive positioning procedure messages. The H-SPC calculates the position estimate based on the received positioning measurements (SET-Assisted) or the SET calculates the position estimate based on assistance obtained from the H-SPC (SET-Based).
- N. The H-SPC may optionally inform the H-SLC about the position fix or assistance data delivery process performed in step M. To this end the H-SPC sends a PRPT message to the H-SLC. PRPT contains at least session-id2.
- O. Once the position calculation is complete the H-SPC sends a SUPL REPORT message to the SET. The SET MAY release the secure connection to the H-SPC. The SUPL REPORT message includes the position result if the position estimate is calculated in the H-SPC and therefore needs to be sent to the SET.
- P. The SET compares the calculated position estimate with the event area to check if the event trigger condition has been met. If no area event is triggered, the SET SHALL return to step J. If an area event is triggered, the SET SHALL proceed to step Q.
- Q. The SET sends a SUPL REPORT message including the session id and the position estimate to the H-SLC unless the Location estimate parameter is set to "false" in which case no position estimate is included.
- R. The H-SLC sends an MLP TLREP message to the SUPL Agent which may include the position result.

If the SUPL Agent has requested several reports and more reports are to be sent, the SET repeats steps J to R or steps J to P depending on whether or not the area event condition has been met. Note that in this case, step Q occurs only after the minimum time between reports has elapsed.

- S. When the last report has been sent, the H-SLC informs the H-SPC about the end of the area event triggered session via a PEND message. PEND contains session-id2
- T. The H-SLC ends the area event triggered session by sending a SUPL END message to the SET.

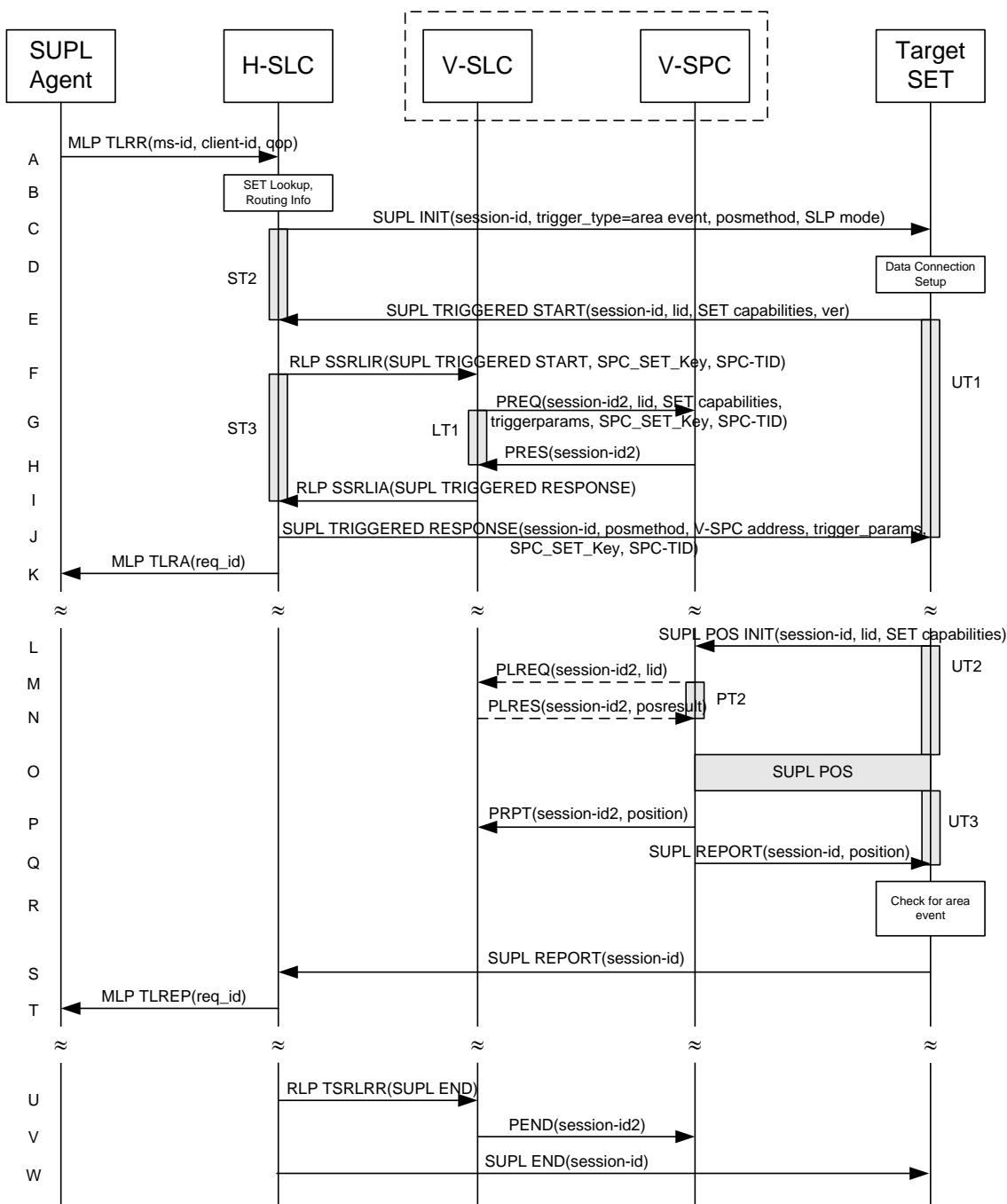
The flow described in Figure 62 is applicable to all positioning methods, however, individual steps within the flows are optional:

- Step M is not performed for cell-id based positioning methods.
- Steps K and L may or may not be performed for cell-id based positioning methods.

In A-GPS SET Based mode where no GPS assistance data is required from the network, no interaction with the H-SLP is required to calculate a position estimate. Interaction with the H-SLP is only required for GPS assistance data update in which case steps J to O are performed.

## 7.2.2 Roaming with V-SPC Positioning Successful Case

SUPL Roaming where the V-SPC is involved in the position calculation.



**Figure 63: Network Initiated Area Event Trigger Service Roaming Successful Case – Non-Proxy with V-SPC positioning**

NOTE 1: See Appendix C for timer descriptions.

- A. SUPL Agent issues an MLP TLRR message to the H-SLC, with which SUPL Agent is associated. The H-SLC shall authenticate the SUPL Agent and check if the SUPL Agent is authorized for the service it requests, based on the

client-id received. Further, based on the received ms-id the H-SLC shall apply subscriber privacy against the client-id.

- B. The H-SLC verifies that the target SET is currently SUPL Roaming.  
The H-SLC MAY also verify that the target SET supports SUPL.

NOTE 2: The specifics for determining if the SET is SUPL Roaming or not is considered outside the scope of SUPL. However, there are various environment dependent mechanisms.

NOTE 3: Alternatively, the H-SLP may determine whether the SET is SUPL Roaming in a later step using the location identifier (lid) received from the SET.

NOTE 4: The specifics for determining if the SET supports SUPL are beyond SUPL 2.1 scope.

- C. The H-SLC initiates the area event trigger session with the SET using the SUPL INIT message. The SUPL INIT message contains at least session-id, trigger type indicator (in this case area event), proxy/non-proxy mode indicator and the intended positioning method. If the result of the privacy check in Step A indicates that subscriber privacy check based on current location is required, the H-SLP SHALL set notification mode to notification based on current location and SHALL NOT include the notification element in the SUPL INIT message; otherwise, the H-SLP SHALL set the notification mode indicator to normal notification and if notification or verification to the target subscriber is needed, the H-SLP SHALL also include the notification element in the SUPL INIT message. Before the SUPL INIT message is sent, the H-SLC also computes and stores a hash of the message.
- D. The SET analyses the received SUPL INIT. If it is found to be non authentic, the SET takes no further action. Otherwise the SET takes needed action preparing for establishment or resumption of a secure connection.
- E. The SET will evaluate the Notification rules and follow the appropriate actions. The SET also checks the proxy/non-proxy mode indicator to determine if the H-SLC uses proxy or non-proxy mode. In this case, non-proxy mode is used, and the SET SHALL establish a secure connection to the H-SLC using the H-SLC address which has been provisioned by the Home Network to the SET.  
The SET then sends a SUPL TRIGGERED START message to start an area event triggered session with the H-SLP. The SET SHALL send the SUPL TRIGGERED START message even if the SET supported positioning technologies do not include the intended positioning method indicated in the SUPL INIT message. The SUPL TRIGGERED START message contains at least session-id, SET capabilities, a hash of the received SUPL INIT message (ver) and Location ID (lid). The SET capabilities include the supported positioning methods (e.g., SET-Assisted A-GPS, SET-Based A-GPS) and associated positioning protocols (e.g., RRLP, RRC, TIA-801 or LPP/LPPE).
- F. Based on the received lid or other mechanisms, the H-SLC determines the V-SLC and sends an RLP SSRLIR including the SUPL TRIGGERED START message to the V-SLC to inform the V-SLC that the target SET will initiate a SUPL positioning procedure. The H-SLC also generates SPC\_SET\_Key and SPC-TID to be used for V-SPC/SET mutual authentication and includes both in the RLP SSRLIR message. The area event trigger parameters such as area information requested by SUPL Agent for the area event triggered session MAY be included in this message by the H-SLC.
- G. The V-SLC requests service from the V-SPC for an area event triggered SUPL session by sending a PREQ message containing the session-id2, the SET capabilities, the triggerparams and the lid. The V-SLC also forwards SPC\_SET\_Key and SPC-TID to the V-SPC in the PREQ message. The PREQ MAY also optionally contain the QoP. The V-SLC MAY include its approved positioning methods for this session in the PREQ. If the approved positioning methods are not included, the V-SPC SHALL assume that all its available positioning methods have been approved.
- H. The V-SPC accepts the service request for a SUPL session from the V-SLC with a PRES message containing the session-id2. The V-SPC MAY include a preferred positioning method in the PRES. The V-SPC MAY include its supported positioning methods in the PRES.
- I. Consistent with the SET capabilities received in step F. the V-SLC determines a posmethod to be used for the area event triggered session. If the V-SPC included a list of supported posmethods in step H, the chosen posmethod SHALL be on this list. The V-SLC indicates its readiness for an area event triggered session by sending a SUPL

TRIGGERED RESPONSE message back to the H-SLC in an RLP SSRLIA message. The V-SLC MAY include area-ids corresponding to the area for the area event trigger session in the SUPL TRIGGERED RESPONSE message.

- J. The H-SLC forwards the received SUPL TRIGGERED RESPONSE message to the SET including session-id, posmethod, V-SPC address, area event trigger parameters, SPC\_SET\_Key and SPC-TID. The SUPL TRIGGERED RESPONSE message may contain the area ids of the specified area for the area event triggered session.
- K. The H-SLC informs the SUPL Agent in an MLP TLRA message that the triggered location response request has been accepted and also includes a req\_id parameter to be used as a transaction id for the entire duration of the area event triggered session. The SET and the H-SLC MAY release the secure connection.

NOTE 5: The MLP TLRA may be sent earlier at any time after the H-SLP receives the MLP TLRR.

- L. If the area ids are downloaded in step J, the SET SHALL compare the current area id to the downloaded area ids. When the area event trigger in the SET or the comparison of the current area id to the downloaded area ids indicates that a position fix has to be performed, the SET takes appropriate action establishing or resuming a secure connection. The SET then sends a SUPL POS INIT message to the V-SPC to start a positioning session with the V-SPC. The SUPL POS INIT message contains at least session-id and the Location ID (lid). The SET MAY provide NMR specific for the radio technology being used (e.g., for GSM: TA, RXLEV). The SET MAY provide its position, if this is supported. The SET MAY set the Requested Assistance Data element in the SUPL POS INIT. If a position calculated based on information received in the SUPL POS INIT message is available (e.g. a cell-id based position fix) that meets the required QoP, the V-SPC MAY directly proceed to step P and not engage in a SUPL POS session.
- M. If the V-SPC cannot translate the lid received in step L into a coarse position, the V-SPC sends a PLREQ message to the V-SLC. The PLREQ message contains the session-id2 and the lid. This step is optional and not required if the V-SPC can perform the translation from lid into coarse position itself.
- N. This step is conditional and only occurs if step M was performed. The V-SLC reports the coarse position result back to the V-SPC in a PLRES message. PLRES contains the session-id2 and the posresult. If the coarse position meets the required QoP, the V-SPC MAY directly proceed to step P and not engage in a SUPL POS session.
- O. Based on the SUPL POS INIT message including posmethod(s) supported by the SET the V-SPC SHALL determine the posmethod. If the V-SLC included its approved positioning methods in step G, the V-SPC SHALL only choose an approved method. The SET and the V-SPC exchange several successive positioning procedure messages. The V-SPC calculates the position estimate based on the received positioning measurements (SET-Assisted) or the SET calculates the position estimate based on assistance obtained from the V-SPC (SET-Based).
- P. The V-SPC may optionally inform the V-SLC about the position fix or assistance data delivery process performed in step O. To this end the V-SPC sends a PRPT message to the V-SLC. PRPT contains at least session-id2.
- Q. Once the position calculation is complete the V-SPC sends a SUPL REPORT message to the SET. The SET MAY release the secure connection to the V-SPC.  
The SUPL REPORT message includes the position result if the position estimate is calculated in the V-SPC and therefore needs to be sent to the SET.
- R. The SET compares the calculated position estimate with the event area to check if the event trigger condition has been met. If no area event is triggered, the SET SHALL return to step L. If an area event is triggered, the SET SHALL proceed to step S.
- S. The SET sends a SUPL REPORT message including the session id and the position estimate to the H-SLC unless the Location estimate parameter is set to "false" in which case no position estimate is included.
- T. The H-SLC sends an MLP TLREP message to the SUPL Agent which may include the position result.

If the SUPL Agent has requested several reports and more reports are to be sent, the SET repeats steps L to T or steps L to R depending on whether or not the area event condition has been met. Note that in this case, step S occurs only after the minimum time between reports has elapsed.

- U. When the last report has been sent, the H-SLC informs the V-SLC about the end of the area event triggered session through an SUPL END message carried within an SSRP message over RLP tunnel.,.
- V. The V-SLC informs the V-SPC about the end of the area event triggered session via a PEND message. The PEND contains the session-id2
- W. The H-SLC ends the area event triggered session by sending a SUPL END message to the SET.

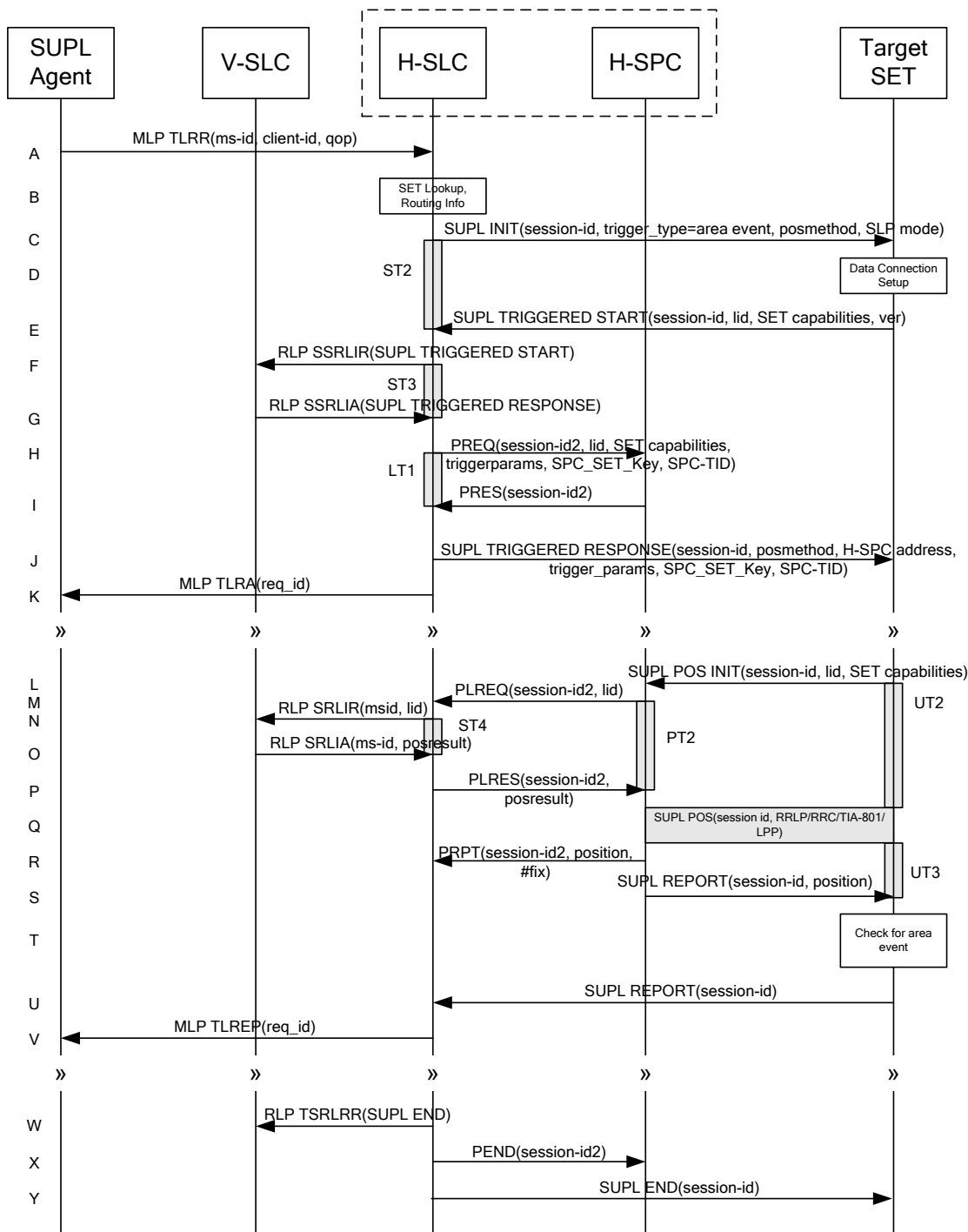
The flow described in Figure 63 is applicable to all positioning methods, however, individual steps within the flows are optional:

- Step O is not performed for cell-id based positioning methods.
- Steps M and N may or may not be performed for cell-id based positioning methods.
- In A-GPS SET Based mode where no GPS assistance data is required from the network, no interaction with the V-SLP is required to calculate a position estimate. Interaction with the V-SLP is only required for GPS assistance data update in which case steps L to Q are performed.

### 7.2.3 Roaming with H-SPC Positioning Successful Case

SUPL Roaming where the H-SPC is involved in the position calculation.





**Figure 64: Network Initiated Area Event Trigger Service Roaming Successful Case – Non-Proxy with H-SPC positioning**

NOTE 1: See Appendix C for timer descriptions.

- A. SUPL Agent issues an MLP TLRR message to the H-SLC, with which SUPL Agent is associated. The H-SLC shall authenticate the SUPL Agent and check if the SUPL Agent is authorized for the service it requests, based on the client-id received. Further, based on the received ms-id the H-SLC shall apply subscriber privacy against the client-id.

- B. The H-SLC verifies that the target SET is currently SUPL Roaming.  
The H-SLC MAY also verify that the target SET supports SUPL.

NOTE 2: The specifics for determining if the SET is SUPL Roaming or not is considered outside the scope of SUPL.  
However, there are various environment dependent mechanisms.

NOTE 3: Alternatively, the H-SLP may determine whether the SET is SUPL Roaming in a later step using the location identifier (lid) received from the SET.

NOTE 4: The specifics for determining if the SET supports SUPL are beyond SUPL 2.1 scope.

- C. The H-SLC initiates the area event trigger session with the SET using the SUPL INIT message. The SUPL INIT message contains at least session-id, trigger type indicator (in this case area event), proxy/non-proxy mode indicator and the intended positioning method. If the result of the privacy check in Step A indicates that subscriber privacy check based on current location is required, the H-SLP SHALL set notification mode to notification based on current location and SHALL NOT include the notification element in the SUPL INIT message; otherwise, the H-SLP SHALL set the notification mode indicator to normal notification and if notification or verification to the target subscriber is needed, the H-SLP SHALL also include the notification element in the SUPL INIT message. Before the SUPL INIT message is sent, the H-SLC also computes and stores a hash of the message.
- D. The SET analyses the received SUPL INIT. If it is found to be non authentic, the SET takes no further action. Otherwise the SET takes needed action preparing for establishment or resumption of a secure connection.
- E. The SET will evaluate the Notification rules and follow the appropriate actions. The SET also checks the proxy/non-proxy mode indicator to determine if the H-SLP uses proxy or non-proxy mode. In this case, non-proxy mode is used, and the SET SHALL establish a secure connection to the H-SLC using the H-SLC address that has been provisioned by the Home Network to the SET.  
The SET then sends a SUPL TRIGGERED START message to start an area event triggered session with the H-SLC. The SET SHALL send the SUPL TRIGGERED START message even if the SET supported positioning technologies do not include the intended positioning method indicated in the SUPL INIT message. The SUPL TRIGGERED START message contains at least session-id, SET capabilities, a hash of the received SUPL INIT message (ver) and Location ID (lid). The SET capabilities include the supported positioning methods (e.g., SET-Assisted A-GPS, SET-Based A-GPS) and associated positioning protocols (e.g., RRLP, RRC, TIA-801 or LPP/LPPe).
- F. Based on the received lid or other mechanisms, the H-SLC determines the V-SLC and sends an RLP SSRLIR including a SUPL TRIGGERED START message to the V-SLC to inform the V-SLC that an area event triggered session is in the progress of being initiated with the H-SLP. The area event trigger parameters such as area information requested by SUPL Agent for the area event triggered session MAY be included in this message by the H-SLC.
- G. The V-SLC acknowledges the RLP request received in step F with a SUPL TRIGGERED RESPONSE message which is carried inside an RLP SSRLIA message. The V-SLC MAY include area ids corresponding to the area for the area event trigger session in the SUPL TRIGGERED RESPONSE message.
- H. The H-SLC requests service from the H-SPC for an area event triggered SUPL session by sending a PREQ message containing the session-id2, the SET capabilities, the triggerparams and the lid. The H-SLC generates SPC\_SET\_Key and SPC-TID to be used for mutual H-SPC/SET authentication and forwards both to the H-SPC in the PREQ message. The PREQ MAY also optionally contain the QoP. The H-SLC MAY include its approved positioning methods for this session in the PREQ. If the approved positioning methods are not included, the H-SPC SHALL assume that all its available positioning methods have been approved.
- I. The H-SPC accepts the service request for a SUPL session from the H-SLC with a PRES message containing the session-id2. The H-SPC MAY include a preferred positioning method in the PRES. The H-SPC MAY include its supported positioning methods in the PRES.
- J. Consistent with the SET capabilities received in step E, the H-SLC determines a posmethod to be used for the area event triggered session. If the H-SPC included a list of supported posmethods in step I, the chosen posmethod SHALL be on this list. The H-SLC indicates its readiness for an area event triggered session by sending a SUPL

TRIGGERED RESPONSE message back to the SET. The SUPL TRIGGERED RESPONSE message to the SET includes at a minimum the session-id, posmethod, H-SPC address, area event trigger parameters, SPC\_SET\_Key and SPC-TID. The SUPL TRIGGERED RESPONSE message may contain the area ids of the specified area for the area event triggered session.

- K. The H-SLC informs the SUPL Agent in an MLP TLRA message that the triggered location response request has been accepted and also includes a req\_id parameter to be used as a transaction id for the entire duration of the area event triggered session. The SET and the H-SLC MAY release the secure connection.

NOTE 5: The MLP TLRA may be sent earlier at any time after the H-SLP receives the MLP TLRR.

- L. If the area ids are downloaded in step J, the SET SHALL compare the current area id to the downloaded area ids. When the area event trigger in the SET or the comparison of the current area id to the downloaded area ids indicates that a position fix has to be performed, the SET takes appropriate action establishing or resuming a secure connection. The SET then sends a SUPL POS INIT message to the H-SPC to start a positioning session with the H-SPC. The SUPL POS INIT message contains at least session-id and the Location ID (lid). The SET MAY provide NMR specific for the radio technology being used (e.g., for GSM: TA, RXLEV). The SET MAY provide its position, if this is supported. The SET MAY set the Requested Assistance Data element in the SUPL POS INIT. If the SUPL POS INIT message contains a position that meets the required QoP, the H-SPC MAY directly proceed to step R.
- M. To translate the lid received in step L into a coarse position, the H-SPC sends a PLREQ message to the H-SLC. The PLREQ message contains the session-id2 and the lid.
- N. To obtain a coarse position the H-SLC sends an RLP SRLIR message to the V-SLC.
- O. The V-SLC translates the received lid into a position estimate and returns the result to the H-SLC in an RLP SRLIA message.
- P. The H-SLC reports the coarse position result back to the H-SPC in a PLRES message. PLRES contains the session-id2 and the posresult. If the coarse position meets the required QoP, the H-SPC MAY directly proceed to step R and not engage in a SUPL POS session.
- Q. Based on the SUPL POS INIT message including posmethod(s) supported by the SET the H-SPC SHALL determine the posmethod. If the H-SLC included its approved positioning methods in step H, the H-SPC SHALL only choose an approved method. The SET and the H-SPC exchange several successive positioning procedure messages. The H-SPC calculates the position estimate based on the received positioning measurements (SET-Assisted) or the SET calculates the position estimate based on assistance obtained from the H-SPC (SET-Based).
- R. The H-SPC may optionally inform the H-SLC about the position fix or assistance data delivery process performed in step Q. To this end the H-SPC sends a PRPT message to the H-SLC. PRPT contains at least session-id2
- S. Once the position calculation is complete the H-SPC sends a SUPL REPORT message to the SET. The SET MAY release the secure connection to the H-SPC. The SUPL REPORT message includes the position result if the position estimate is calculated in the H-SPC and therefore needs to be sent to the SET.
- T. The SET compares the calculated position estimate with the event area to check if the event trigger condition has been met. If no area event is triggered, the SET SHALL return to step L. If an area event is triggered, the SET SHALL proceed to step U.
- U. The SET sends a SUPL REPORT message including the session id and the position estimate to the H-SLC unless the Location estimate parameter is set to "false" in which case no position estimate is included.
- V. The H-SLC sends an MLP TLREP message to the SUPL Agent which may include the position result.

If the SUPL Agent has requested several reports and more reports are to be sent, the SET repeats steps L to V or steps L to T depending on whether or not the area event condition has been met. Note that in this case, step U occurs only after the minimum time between reports has elapsed.

- W. When the last report has been sent, the H-SLC informs the V-SLC about the end of the area event triggered session by sending a SUPL END message using an RLP SSRP tunnel message to the V-SLC.
- X. The H-SLC informs the H-SPC about the end of the area event triggered session via a PEND message. The PEND contains the session-id2.
- Y. The H-SLC ends the area event triggered session by sending a SUPL END message to the SET.

The flow described in Figure 64 is applicable to all positioning methods, however, individual steps within the flows are optional:

- Step Q is not performed for cell-id based positioning methods.
- In A-GPS SET Based mode where no GPS assistance data is required from the network, no interaction with the H-SLP/V-SLP is required to calculate a position estimate. Interaction with the H-SLP/V-SLP is only required for GPS assistance data update in which case steps L to S are performed.

## 7.3 SET Initiated – Proxy mode

This section describes the flows for SET Initiated area event triggered services for proxy mode. The trigger thereby resides in the SET and the SET makes the decision if an area event occurred based on continuously repeated position determinations.

### 7.3.1 Non-Roaming Successful Case

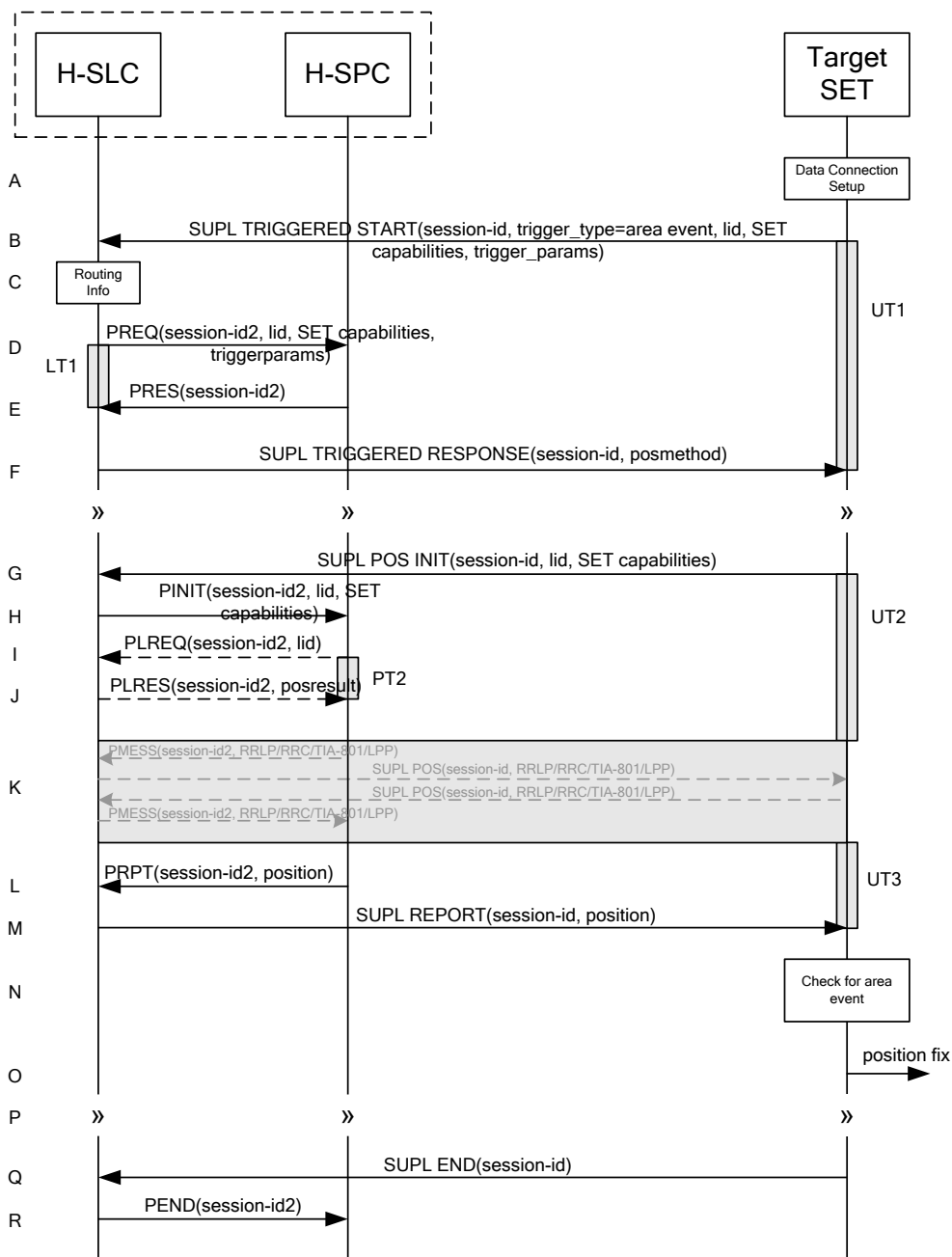


Figure 65: SET Initiated Area Event Trigger Service Non-Roaming Successful Case – Proxy Mode

NOTE 1: See Appendix C for timer descriptions.

- A. The SUPL Agent on the SET receives a request for an area event triggered service from an application running on the SET. The SET takes appropriate action establishing or resuming a secure connection.
- B. The SUPL Agent on the SET uses the default address provisioned by the Home Network to establish a secure connection to the H-SLP and sends a SUPL TRIGGERED START message to start a positioning session with the H-SLP. The SUPL TRIGGERED START message contains session-id, SET capabilities, trigger type indicator (in this case area event), Location ID (lid) and area event trigger parameters. The SET capabilities include the supported

positioning methods (e.g., SET-Assisted A-GPS, SET-Based A-GPS) and associated positioning protocols (e.g., RRLP, RRC, TIA-801 or LPP/LPPe).

- C. The H-SLP verifies that the target SET is currently not SUPL Roaming.

NOTE 2: The specifics for determining if the SET is SUPL Roaming or not is considered outside the scope of SUPL 2.1. However, there are various environment dependent mechanisms.

- D. The H-SLC requests service from the H-SPC for an area event triggered SUPL session by sending a PREQ message containing the session-id2, the SET capabilities, the triggerparams and the lid. The PREQ MAY also optionally contain the QoP. The H-SLC MAY include its approved positioning methods for this session. If the approved positioning methods are not included, the H-SPC SHALL assume that all its available positioning methods have been approved.
- E. The H-SPC accepts the service request for a SUPL session from the H-SLC with a PRES message containing the session-id2. The H-SPC MAY include a preferred positioning method in the PRES. The H-SPC MAY include its supported positioning methods in the PRES.
- F. Consistent with the SUPL TRIGGERED START message including the SET capabilities of the SET, the H-SLC MAY determine the posmethod. If the H-SPC included a list of supported posmethods in step E, the chosen posmethod SHALL be on this list. If required for the posmethod, the H-SLC SHALL use the supported positioning protocol (e.g., RRLP, RRC, TIA-801 or LPP/LPPe) from the SUPL TRIGGERED START message. The H-SLC SHALL respond with a SUPL TRIGGERED RESPONSE message to the SET. The SUPL TRIGGERED RESPONSE contains the session-id but no H-SLP address, to indicate to the SET that a new connection SHALL NOT be established. The SUPL TRIGGERED RESPONSE also contains the posmethod. The SET and the H-SLC MAY release the secure connection.
- G. When the area event trigger in the SET indicates that a position fix has to be calculated, the SET takes appropriate action establishing or resuming a secure connection. The SET then sends a SUPL POS INIT message to start a positioning session with the H-SLP. The SUPL POS INIT message contains at least session-id, SET capabilities and Location ID (lid). The SET capabilities include the supported positioning methods (e.g., SET-Assisted A-GPS, SET-Based A-GPS) and associated positioning protocols (e.g., RRLP, RRC, TIA-801 or LPP/LPPe). The SET MAY optionally provide NMR specific for the radio technology being used (e.g., for GSM: TA, RXLEV). The SET MAY provide its position, if this is supported. The SET MAY include the first SUPL POS element in the SUPL POS INIT message. The SET MAY set the Requested Assistance Data element in the SUPL POS INIT. If a position calculated based on information received in the SUPL POS INIT message is available (e.g. a cell-id based position fix) that meets any required QoP, the H-SLP MAY directly proceed to step M and not engage in a SUPL POS session.
- H. The H-SLC sends a PINIT message to the H-SPC including session-id2, location id and SET capabilities. The H-SLC MAY include a posmethod in the PINIT. This posmethod may either be the posmethod recommended by the H-SPC in step E, or a different posmethod of the H-SLC's choosing, as long as it is one supported by the H-SPC. Based on the PINIT message including the SET capabilities, the H-SPC SHALL determine the posmethod. If a posmethod has been included in the PINIT by the H-SLC, the H-SPC SHALL use that posmethod, unless it does not meet the SET capabilities. If no posmethod parameter was included in the PINIT, the H-SPC shall choose any posmethod in line with the SET capabilities which was approved by the H-SLC in step D. If a coarse position calculated based on information received in the PINIT message is available that meets the required QoP, the H-SPC MAY directly proceed to step L and not engage in a SUPL POS session.
- I. If the H-SPC cannot translate the lid received in step H into a coarse position, the H-SPC sends a PLREQ message to the H-SLC. The PLREQ message contains the session-id2 and the lid. This step is optional and not required if the H-SPC can perform the translation from lid into coarse position itself.
- J. This step is conditional and only occurs if step I was performed. The H-SLC calculates a coarse position based on lid and reports the result back to the H-SPC in a PLRES message. PLRES contains the session-id2 and the posresult. If the coarse position meets the required QoP, the H-SPC MAY directly proceed to step L and not engage in a SUPL POS session.

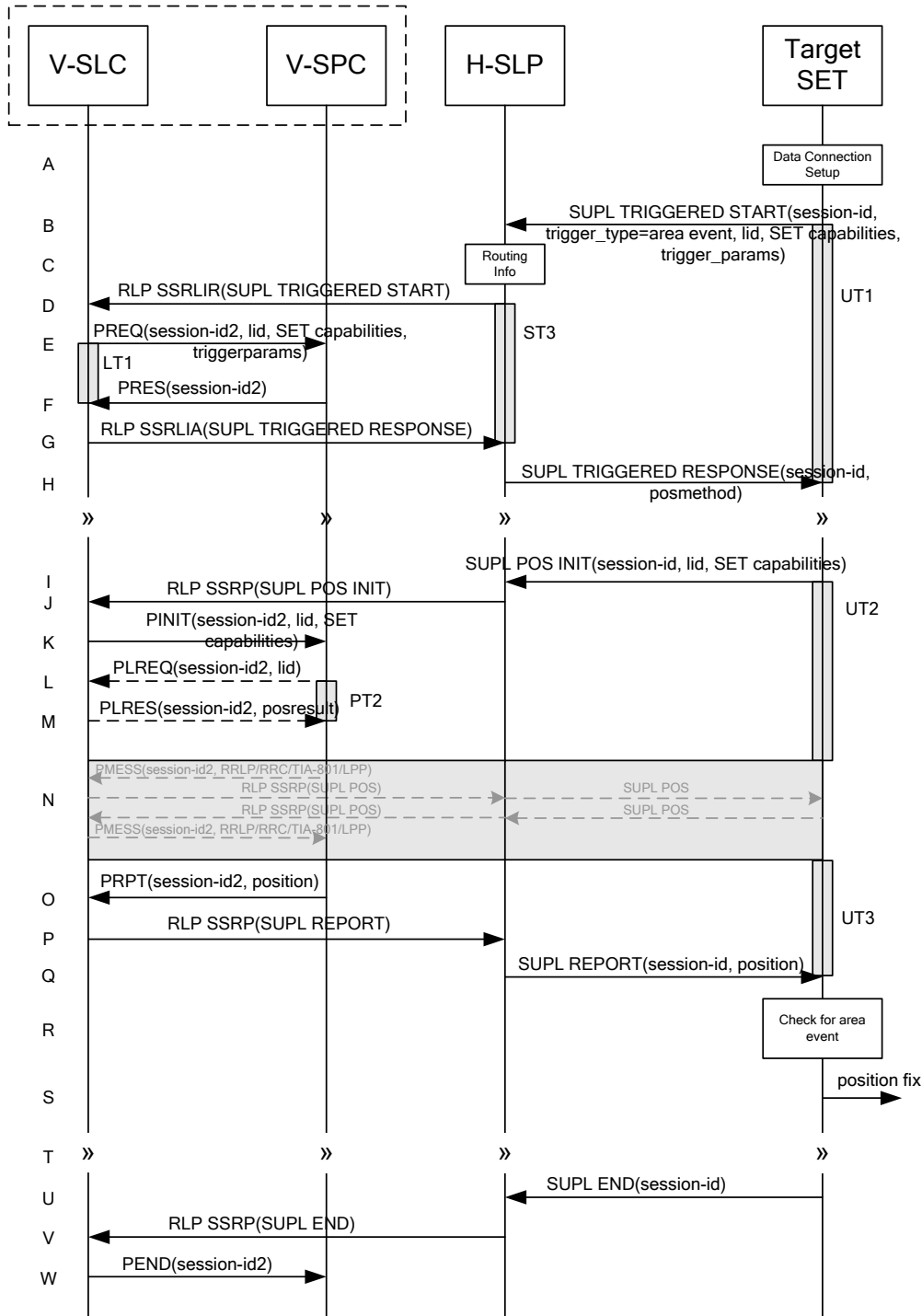
- K. The SET and the H-SPC exchange several successive positioning procedure messages. Thereby the positioning procedure payload (RRLP/RRC/TIA-801/LPP/LPPE) is transferred between the H-SPC and the H-SLC using PMESS messages. PMESS includes the session-id2 and the positioning procedure payload (RRLP/RRC/TIA-801/LPP/LPPE). The positioning procedure payload (RRLP/RRC/TIA-801/LPP/LPPE) is transferred between the H-SLC and the SET using SUPL POS messages (the PMESS – SUPL POS – SUPL POS – PMESS message exchange is conceptually shown in dotted lines).  
The H-SPC calculates the position estimate based on the received positioning measurements (SET-Assisted) or the SET calculates the position estimate based on assistance obtained from the H-SPC (SET-Based).
- L. Once the position calculation is complete the H-SPC sends a PRPT message to the H-SLC. PRPT contains the session-id2 and the position result if calculated in the H-SPC.
- M. Once the position calculation is complete the H-SLC sends a SUPL REPORT message to the SET. The SET MAY release the secure connection to the H-SLC.  
The SUPL REPORT message includes the position result if the position estimate is calculated in the H-SPC and therefore needs to be sent to the SET.
- N. The SET compares the calculated position estimate with the event area to check if the event trigger condition has been met.
- O. If the area event was triggered the SET forwards the calculated position estimate to the internal SUPL Agent.
- P. If the SET decides to end the triggered session the SET proceeds to step Q. Otherwise whenever the area event trigger mechanism in the SET indicates that a new position fix has to be performed, steps G to O are repeated.
- Q. The SET ends the triggered session by sending a SUPL END message to the H-SLC.
- R. The H-SLC informs the H-SPC about the end of the triggered session by sending a PEND message. PEND contains the session-id2.

The flow described in Figure 65 is applicable to all positioning methods, however, individual steps within the flows are optional:

- Step K is not performed for cell-id based positioning methods.
- Steps H, I and J may or may not be performed for cell-id based positioning methods.
- In A-GPS SET Based mode where no GPS assistance data is required from the network, no interaction with the H-SLP is required to calculate a position estimate. Interaction with the H-SLP is only required for GPS assistance data update in which case steps G to M are performed.

### 7.3.2 Roaming with V-SLP Positioning Successful Case

SUPL Roaming where the V-SLP is involved in the position calculation.



**Figure 66: SET Initiated Area Event Trigger Service Roaming Successful Case – Proxy with V-SLP positioning**

NOTE 1: See Appendix C for timer descriptions.

- A. The SUPL Agent on the SET receives a request for an area event triggered service from an application running on the SET. The SET takes appropriate action establishing or resuming a secure connection.
- B. The SUPL Agent on the SET uses the default address provisioned by the Home Network to establish a secure connection to the H-SLP and sends a SUPL TRIGGERED START message to start a positioning session with the H-SLP. The SUPL TRIGGERED START message contains session-id, SET capabilities, trigger type indicator (in



this case area event), Location ID (lid) and area event trigger parameters. The SET capabilities include the supported positioning methods (e.g., SET-Assisted A-GPS, SET-Based A-GPS) and associated positioning protocols (e.g., RRLP, RRC, TIA-801 or LPP/LPPE).

- C. The H-SLP verifies that the target SET is currently SUPL Roaming.

NOTE 2: The specifics for determining if the SET is SUPL Roaming or not is considered outside scope of SUPL 2.1. However, there are various environment dependent mechanisms.

- D. Based on the received lid or other mechanisms, the H-SLP determines the V-SLC and sends an RLP SSRLIR including the SUPL TRIGGERED START message to the V-SLC to inform the V-SLC that the target SET will initiate a SUPL positioning procedure. The area event trigger parameters such as area information requested by SUPL Agent for the area event triggered session MAY be included in this message by the H-SLP.
- E. The V-SLC requests service from the V-SPC for an area event triggered SUPL session by sending a PREQ message containing the session-id2, the SET capabilities, the triggerparams and the lid. The PREQ MAY optionally contain the QoP. The V-SLC MAY include its approved positioning methods for this session. If the approved positioning methods are not included, the V-SPC SHALL assume that all its available positioning methods have been approved.
- F. The V-SPC accepts the service request for a SUPL session from the V-SLC with a PRES message containing the session-id2. The V-SPC MAY include a preferred positioning method in the PRES. The V-SPC MAY include its supported positioning methods in the PRES.
- G. Consistent with the SUPL TRIGGERED START message including posmethod(s) supported by the SET, the V-SLP MAY determine the posmethod. If the V-SPC included a list of supported posmethods in step F, the chosen posmethod SHALL be on this list. If required for the posmethod, the V-SLP SHALL use the supported positioning protocol (e.g., RRLP, RRC, TIA-801 or LPP/LPPE) from the SUPL TRIGGERED START message. The V-SLC responds with a SUPL TRIGGERED RESPONSE tunnelled over RLP in a SSRLIA message back to the H-SLP that it is capable of supporting this request. The SUPL TRIGGERED RESPONSE contains at least the sessionid and posmethod.
- H. The H-SLP forwards the SUPL TRIGGERED RESPONSE message to the SET. The SUPL TRIGGERED RESPONSE contains the session-id but no H-SLP address, to indicate to the SET that a new connection SHALL NOT be established. The SUPL TRIGGERED RESPONSE also contains the posmethod. The SET and the H-SLP MAY release the secure connection.
- I. When the area event trigger in the SET indicates that a position fix has to be calculated the SET takes appropriate action establishing or resuming a secure connection. The SET then sends a SUPL POS INIT message to start a positioning session with the H-SLP. The SUPL POS INIT message contains at least session-id, SET capabilities and Location ID (lid). The SET capabilities include the supported positioning methods (e.g., SET-Assisted A-GPS, SET-Based A-GPS) and associated positioning protocols (e.g., RRLP, RRC, TIA-801 or LPP/LPPE). The SET MAY optionally provide NMR specific for the radio technology being used (e.g., for GSM: TA, RXLEV). The SET MAY provide its position, if this is supported. The SET MAY include the first SUPL POS element in the SUPL POS INIT message. The SET MAY set the Requested Assistance Data element in the SUPL POS INIT. If a position is received in the SUPL POS INIT message that meets any required QoP, the H-SLP MAY directly proceed to step Q and not engage in a SUPL POS session.
- J. The H-SLP forwards the SUPL POS INIT message to the V-SLP over the RLP tunnel in an SSRP message. If a position calculated based on information received in the SUPL POS INIT message is available (e.g. a cell-id based position fix) that meets any required QoP, the V-SLP MAY directly proceed to step P and not engage in a SUPL POS session.
- K. The V-SLC sends a PINIT message to the V-SPC including session-id2, location id and SET capabilities. The V-SLC MAY include a posmethod in the PINIT. This posmethod may either be the posmethod recommended by the V-SPC in step F, or a different posmethod of the V-SLC's choosing, as long as it is one supported by the V-SPC. Based on the PINIT message including the SET capabilities, the V-SPC SHALL determine the posmethod. If a posmethod has been included in the PINIT by the V-SLC, the V-SPC SHALL use that posmethod, unless it does not meet the SET capabilities. If no posmethod parameter was included in the PINIT, the V-SPC shall choose any posmethod in line with the SET capabilities which was approved by the V-SLC in step E. If a coarse position

calculated based on information received in the PINIT message is available that meets any required QoP, the V-SPC MAY directly proceed to step O and not engage in a SUPL POS session.

- L. If the V-SPC cannot translate the lid received in step K into a coarse position, the V-SPC sends a PLREQ message to the V-SLC. The PLREQ message contains the session-id2 and the lid. This step is optional and not required if the V-SPC can perform the translation from lid into coarse position itself.
- M. This step is conditional and only occurs if step L was performed. The V-SLC reports the coarse position result back to the V-SPC in a PLRES message. PLRES contains the session-id2 and the posresult. If the coarse position meets any required QoP, the V-SPC MAY directly proceed to step R and not engage in a SUPL POS session.
- N. The SET and the V-SPC exchange several successive positioning procedure messages. Thereby the positioning procedure payload (RRLP/RRC/TIA-801/LPP/LPPe) is transferred between the V-SPC and the V-SLC using PMESS messages. PMESS includes the session-id2 and the positioning procedure payload (RRLP/RRC/TIA-801/LPP/LPPe). The positioning procedure payload (RRLP/RRC/TIA-801/LPP/LPPe) is transferred between the V-SLC and the H-SLC using SUPL POS over RLP tunnel messages. The positioning procedure payload (RRLP/RRC/TIA-801/LPP/LPPe) is transferred between the H-SLC and the SET using SUPL POS messages. The flow sequence PMESS – RLP SSRP(SUPL POS) – SUPL POS – SUPL POS – RLP SSRP(SUPL POS) – PMESS is conceptually shown in dotted lines.  
The V-SPC calculates the position estimate based on the received positioning measurements (SET-Assisted) or the SET calculates the position estimate based on assistance obtained from the V-SPC (SET-Based).
- O. Once the position calculation is complete, the V-SPC sends a PRPT message to the V-SLC. PRPT contains the session-id2 and the position result if calculated in the V-SPC.
- P. Once the position calculation is complete, the V-SLC sends a SUPL REPORT message in an RLP tunnel using an SSRP message to the H-SLP.  
The SUPL REPORT message includes the position result if the position estimate is calculated in the V-SLP and therefore needs to be sent to the SET.
- Q. The H-SLP forwards the SUPL REPORT message to the SET. The SET and the H-SLP MAY release the secure connection.  
The SUPL REPORT message includes the position result if the position estimate is calculated in the V-SLP (or the H-SLP) and therefore needs to be sent to the SET.
- R. The SET compares the calculated position estimate with the event area to check if the event trigger condition has been met.
- S. If the area event was triggered the SET forwards the calculated position estimate to the internal SUPL Agent.
- T. If the SET decides to end the triggered session the SET proceeds to step U. Otherwise whenever the area event trigger mechanism in the SET indicates that a new position fix has to be performed, steps I to S are repeated.
- U. The SET ends the triggered session by sending a SUPL END message to the H-SLP.
- V. The H-SLP informs the V-SLC about the end of the area event triggered session by sending a SUPL END message using an RLP SSRP tunnel message
- W. The V-SLC ends the area event triggered session with the V-SPC by sending a PEND message. PEND contains the session-id2.

The flow described in Figure 66 is applicable to all positioning methods, however, individual steps within the flows are optional:

- Step N is not performed for cell-id based positioning methods.
- Steps K, L and M may or may not be performed for cell-id based positioning methods.

- In A-GPS SET Based mode where no GPS assistance data is required from the network, no interaction with the H-SLP/V-SLP is required to calculate a position estimate. Interaction with the H-SLP/V-SLP is only required for GPS assistance data update in which case steps I to Q are performed.

### 7.3.3 Roaming with H-SLP Positioning Successful Case

SUPL Roaming where the H-SLP is involved in the position calculation.

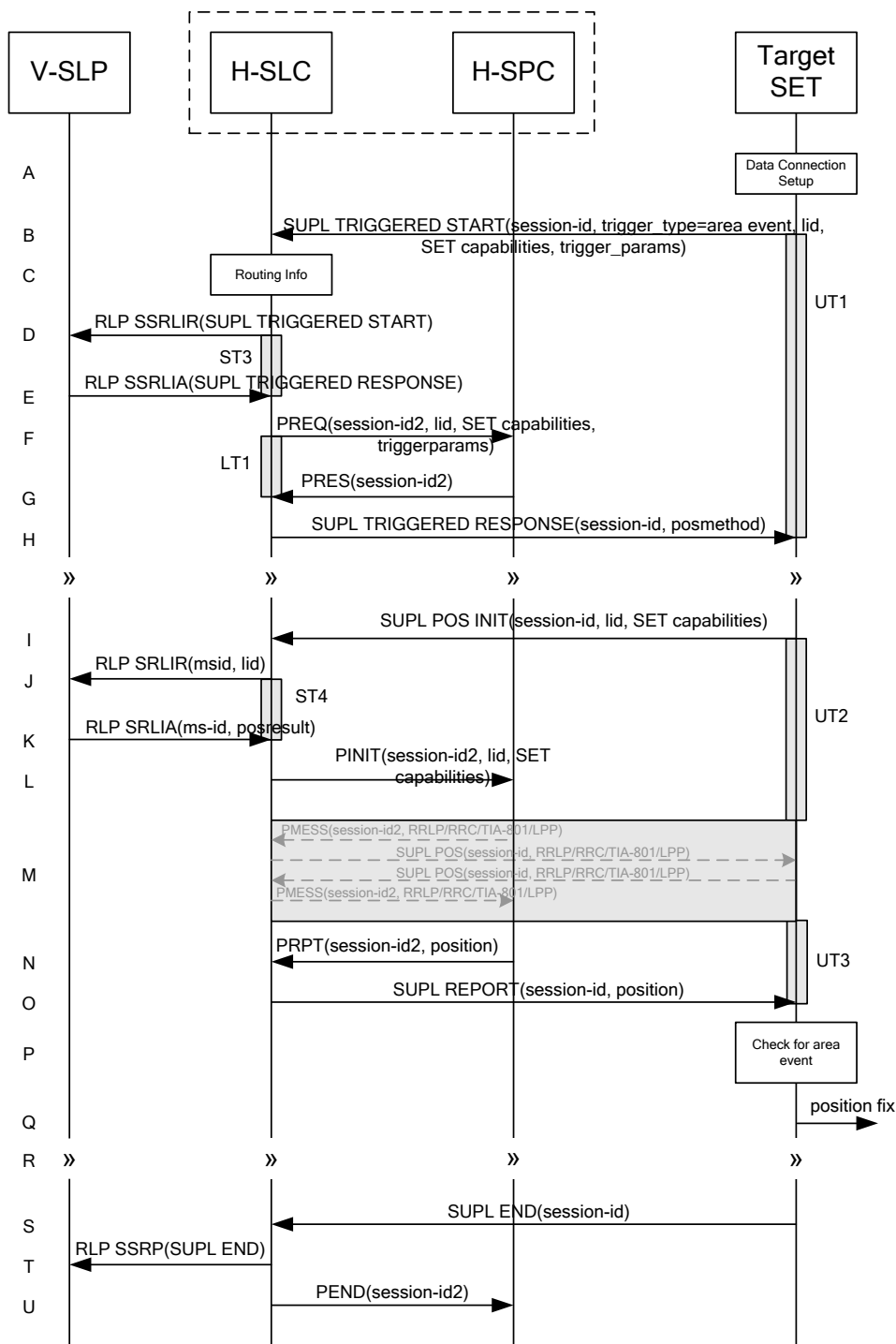


Figure 67: SET Initiated Area Event Trigger Service Roaming Successful Case – Proxy with H-SLP positioning

NOTE 1: See Appendix C for timer descriptions.

- A. The SUPL Agent on the SET receives a request for an area event triggered service from an application running on the SET. The SET takes appropriate action establishing or resuming a secure connection.
- B. The SUPL Agent on the SET uses the default address provisioned by the Home Network to establish a secure connection to the H-SLC and sends a SUPL TRIGGERED START message to start a positioning session with the H-SLP. The SUPL TRIGGERED START message contains session-id, SET capabilities, trigger type indicator (in this case area event), Location ID (lid) and area event trigger parameters. The SET capabilities include the supported positioning methods (e.g., SET-Assisted A-GPS, SET-Based A-GPS) and associated positioning protocols (e.g., RRLP, RRC, TIA-801 or LPP/LPPe).
- C. The H-SLC verifies that the target SET is currently SUPL Roaming.

NOTE 2: The specifics for determining if the SET is SUPL Roaming or not is considered outside scope of SUPL 2.1. However, there are various environment dependent mechanisms.

- D. Based on the received lid or other mechanisms, the H-SLC determines the V-SLP and sends an RLP SSRLIR including a SUPL TRIGGERED START to the V-SLP to inform the V-SLP that an area event triggered session is in the progress of being initiated with the H-SLP. The area event trigger parameters such as area information requested by SUPL Agent for the area event triggered session MAY be included in this message by the H-SLC.
- E. The V-SLP acknowledges the RLP request received in step D with a SUPL TRIGGERED RESPONSE message which is carried inside an RLP SSRLIA message.
- F. The H-SLC requests service from the H-SPC for an area event triggered SUPL session by sending a PREQ message containing the session-id2, the SET capabilities, the triggerparams and the lid. The PREQ MAY optionally contain the QoP. The H-SLC MAY include its approved positioning methods for this session. If the approved positioning methods are not included, the H-SPC SHALL assume that all its available positioning methods have been approved.
- G. The H-SPC accepts the service request for a SUPL session from the H-SLC with a PRES message containing the session-id2. The H-SPC MAY include a preferred positioning method in the PRES. The H-SPC MAY include its supported positioning methods in the PRES.
- H. Consistent with the SUPL TRIGGERED START message including posmethod(s) supported by the SET, the H-SLP MAY determine the posmethod. If the H-SPC included a list of supported posmethods in step G, the chosen posmethod SHALL be on this list. If required for the posmethod, the H-SLP SHALL use the supported positioning protocol (e.g., RRLP, RRC, TIA-801 or LPP/LPPe) from the SUPL TRIGGERED START message. The H-SLC sends a SUPL TRIGGERED RESPONSE message to the SET. The SUPL TRIGGERED RESPONSE contains the session-id but no H-SLP address, to indicate to the SET that a new connection SHALL NOT be established. The SUPL TRIGGERED RESPONSE also contains the posmethod. The SET and the H-SLC MAY release the secure connection.
- I. When the area event trigger in the SET indicates that a position fix has to be calculated the SET takes appropriate action establishing or resuming a secure connection. The SET then sends a SUPL POS INIT message to start a positioning session with the H-SLP. The SUPL POS INIT message contains at least session-id, SET capabilities and Location ID (lid). The SET capabilities include the supported positioning methods (e.g., SET-Assisted A-GPS, SET-Based A-GPS) and associated positioning protocols (e.g., RRLP, RRC, TIA-801 or LPP/LPPe). The SET MAY optionally provide NMR specific for the radio technology being used (e.g., for GSM: TA, RXLEV). The SET MAY provide its position, if this is supported. The SET MAY include the first SUPL POS element in the SUPL POS INIT message. The SET MAY set the Requested Assistance Data element in the SUPL POS INIT. If a position is received in the SUPL POS INIT message that meets any required QoP, the H-SLC MAY directly proceed to step O and not engage in a SUPL POS session.
- J. To obtain a coarse position based on lid received in step I, the H-SLC sends an RLP SRLIR message to the V-SLP.
- K. The V-SLP translates the received lid into a position estimate and returns the result to the H-SLC in an RLP SRLIA message.

If the received position meets any required QoP, the H-SLC MAY directly proceed to step O and not engage in a SUPL POS session.

- L. The H-SLC sends a PINIT message to the H-SPC including session-id2, location id and SET capabilities. The H-SLC MAY include a posmethod in the PINIT. This posmethod may either be the posmethod recommended by the H-SPC in step G, or a different posmethod of the H-SLC's choosing, as long as it is one supported by the H-SPC. Based on the PINIT message including the SET capabilities, the H-SPC SHALL determine the posmethod. If a posmethod has been included in the PINIT by the H-SLC, the H-SPC SHALL use that posmethod, unless it does not meet the SET capabilities. If no posmethod parameter was included in the PINIT, the H-SPC shall choose any posmethod in line with the SET capabilities which was approved by the H-SLC in step F.
- M. The SET and the H-SPC exchange several successive positioning procedure messages. Thereby the positioning procedure payload (RRLP/RRC/TIA-801/LPP/LPPE) is transferred between the H-SPC and the H-SLC using PMESS messages. PMESS includes the session-id2 and the positioning procedure payload (RRLP/RRC/TIA-801/LPP/LPPE). The positioning procedure payload (RRLP/RRC/TIA-801/LPP/LPPE) is transferred between the H-SLC and the SET using SUPL POS messages (the PMESS – SUPL POS – SUPL POS – PMESS message exchange is conceptually shown in dotted lines).  
The H-SPC calculates the position estimate based on the received positioning measurements (SET-Assisted) or the SET calculates the position estimate based on assistance obtained from the H-SPC (SET-Based).
- N. Once the position calculation is complete, the H-SPC sends a PRPT message to the H-SLC. PRPT contains the session-id2, the position result if calculated in the H-SPC and the number of the fix.
- O. Once the position calculation is complete, the H-SLC sends a SUPL REPORT message to the SET. The SUPL REPORT message includes the position result if the position estimate is calculated in the H-SLP and therefore needs to be sent to the SET.
- P. The SET compares the calculated position estimate with the event area to check if the event trigger condition has been met.
- Q. If the area event was triggered the SET forwards the calculated position estimate to the internal SUPL Agent.
- R. If the SET decides to end the triggered session the SET proceeds to step s. Otherwise whenever the area event trigger mechanism in the SET indicates that a new position fix has to be performed, steps I to Q are repeated.
- S. The SET ends the triggered session by sending a SUPL END message to the H-SLC.
- T. The H-SLP informs the V-SLP about the end of the triggered session by sending a SUPL END message in an RLP SSRP tunnel message.
- U. The H-SLC informs the H-SPC about the end of the area event triggered session in a PEND message. PEND contains session-id2.

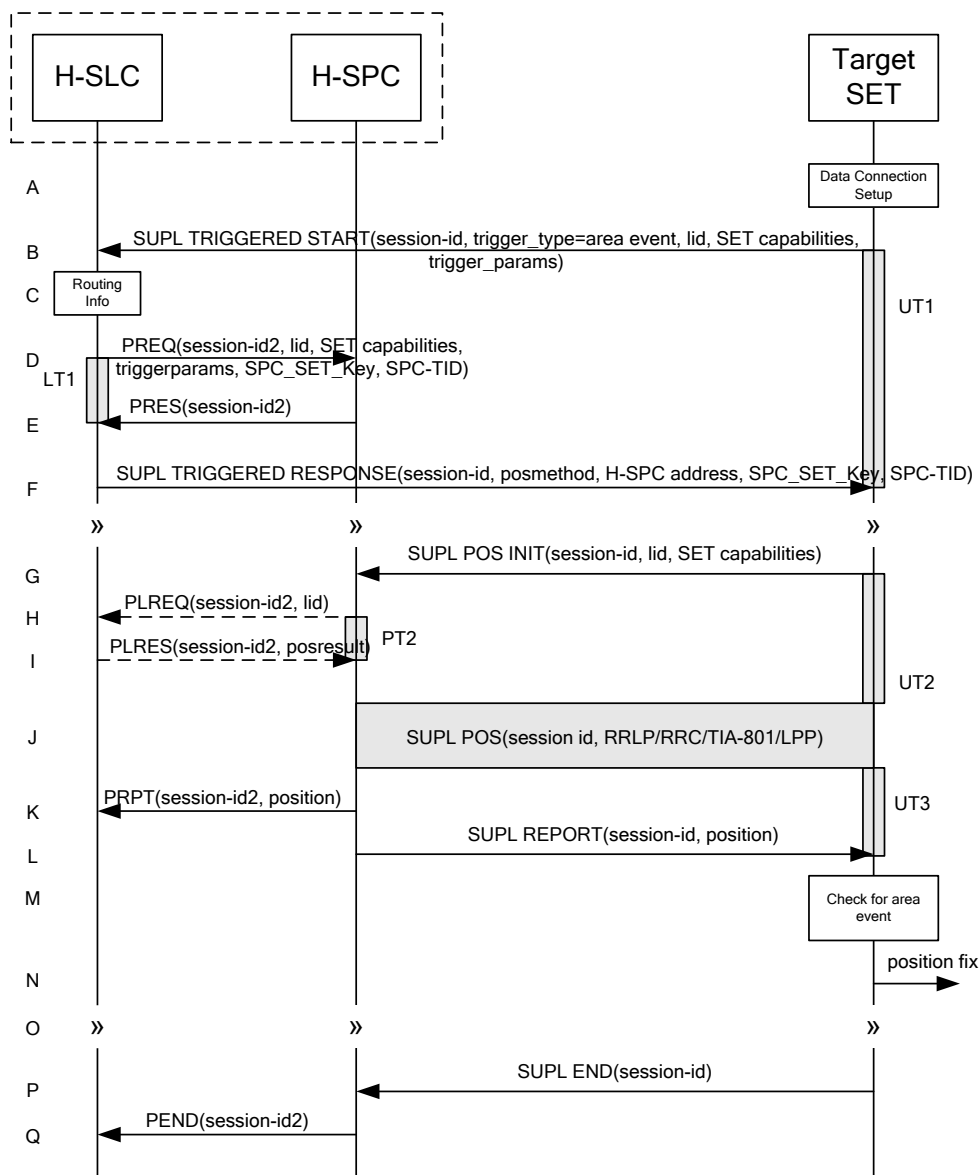
The flow described in Figure 67 is applicable to all positioning methods, however, individual steps within the flows are optional:

- Step M is not performed for cell-id based positioning methods.
- In A-GPS SET Based mode where no GPS assistance data is required from the network, no interaction with the H-SLP/V-SLP is required to calculate a position estimate. Interaction with the H-SLP/V-SLP is only required for GPS assistance data update in which case steps I to O are performed.

## 7.4 SET Initiated – Non-Proxy mode

This section describes the flows for SET Initiated area event triggered services for non-proxy mode. The trigger thereby resides in the SET and the SET makes the decision if an area event occurred based on continuously repeated position determinations.

### 7.4.1 Non-Roaming Successful Case



**Figure 68: SET Initiated Area Event Trigger Service Non-Roaming Successful Case – Non-Proxy Mode**

NOTE 1: See Appendix C for timer descriptions.

- A. The SUPL Agent on the SET receives a request for an area event triggered service from an application running on the SET. The SET takes appropriate action establishing or resuming a secure connection.
- B. The SUPL Agent on the SET uses the default address provisioned by the Home Network to establish a secure connection to the H-SLC and sends a SUPL TRIGGERED START message to start a positioning session with the H-SLP. The SUPL TRIGGERED START message contains session-id, SET capabilities, trigger type indicator (in this case area event), Location ID (lid) and area event trigger parameters. The SET capabilities include the supported positioning methods (e.g., SET-Assisted A-GPS, SET-Based A-GPS) and associated positioning protocols (e.g., RRLP, RRC, TIA-801 or LPP/LPPE).
- C. The H-SLC verifies that the target SET is currently not SUPL Roaming.

NOTE 2: The specifics for determining if the SET is SUPL Roaming or not is considered outside the scope of SUPL 2.1. However, there are various environment dependent mechanisms.

- D. The H-SLC requests service from the H-SPC for an area event triggered SUPL session by sending a PREQ message containing the session-id2, the SET capabilities, the triggerparams and the lid. The H-SLC also creates SPC\_SET\_Key and SPC-TID to be used for mutual H-SPC/SET authentication. SPC\_SET\_Key and SPC-TID are forwarded to the H-SPC in the PREQ message. The PREQ MAY also optionally contain the QoP. The H-SLC MAY include its approved positioning methods for this session in the PREQ. If the approved positioning methods are not included, the H-SPC SHALL assume that all its available positioning methods have been approved.
- E. The H-SPC accepts the service request for a SUPL session from the H-SLC with a PRES message containing the session-id2. The H-SPC MAY include a preferred positioning method in the PRES. The H-SPC MAY include its supported positioning methods in the PRES.
- F. Consistent with the SUPL TRIGGERED START message including the SET capabilities of the SET, the H-SLC MAY determine the posmethod. If the H-SPC included a list of supported posmethods in step E, the chosen posmethod SHALL be on this list. If required for the posmethod, the H-SLC SHALL use the supported positioning protocol (e.g., RRLP, RRC, TIA-801 or LPP/LPPe) from the SUPL TRIGGERED START message. The H-SLC SHALL respond with a SUPL TRIGGERED RESPONSE message to the SET. The SUPL TRIGGERED RESPONSE message contains session-id, posmethod, H-SPC address and SPC\_SET\_Key and SPC-TID to be used for mutual H-SPC/SET authentication. The SET and the H-SLP MAY release the secure connection.
- G. When the area event trigger in the SET indicates that a position fix has to be calculated the SET takes appropriate action establishing or resuming a secure connection. The SET then sends a SUPL POS INIT message to start a positioning session with the H-SPC. The SUPL POS INIT message contains at least session-id, SET capabilities and Location ID (lid). The SET capabilities include the supported positioning methods (e.g., SET-Assisted A-GPS, SET-Based A-GPS) and associated positioning protocols (e.g., RRLP, RRC, TIA-801 or LPP/LPPe). The SET MAY optionally provide NMR specific for the radio technology being used (e.g., for GSM: TA, RXLEV). The SET MAY provide its position, if this is supported. The SET MAY include the first SUPL POS element in the SUPL POS INIT message. The SET MAY set the Requested Assistance Data element in the SUPL POS INIT. If a position calculated based on information received in the SUPL POS INIT message is available (e.g. a cell-id based position fix) that meets any required QoP, the H-SPC MAY directly proceed to step K and not engage in a SUPL POS session.
- H. If the H-SPC cannot translate the lid received in step G into a coarse position, the H-SPC sends a PLREQ message to the H-SLC. The PLREQ message contains the session-id2 and the lid. This step is optional and not required if the H-SPC can perform the translation from lid into coarse position itself.
- I. This step is conditional and only occurs if step H was performed. The H-SLC reports the coarse position result back to the H-SPC in a PLRES message. PLRES contains the session-id2 and the posresult. If the coarse position meets any required QoP, the H-SPC MAY directly proceed to step K and not engage in a SUPL POS session.
- J. Based on the SUPL POS INIT message including posmethod(s) supported by the SET the H-SPC SHALL determine the posmethod. If the H-SLC included its approved positioning methods in step D, the H-SPC SHALL only choose an approved method. The SET and the H-SPC exchange several successive positioning procedure messages. The H-SPC calculates the position estimate based on the received positioning measurements (SET-Assisted) or the SET calculates the position estimate based on assistance data obtained from the H-SPC (SET-Based).
- K. The H-SPC may optionally inform the H-SLC about the position fix or assistance data delivery process performed in step J. To this end the H-SPC sends a PRPT message to the H-SLC. PRPT contains at least session-id2.
- L. Once the position calculation is complete the H-SPC sends a SUPL REPORT message to the SET. The SET MAY release the secure connection to the H-SPC. The SUPL REPORT message includes the position result if the position estimate is calculated in the H-SPC and therefore needs to be sent to the SET.
- M. The SET compares the calculated position estimate with the event area to check if the event trigger condition has been met.

- N. If the area event was triggered the SET forwards the calculated position estimate to the internal SUPL Agent.
- O. If the SET decides to end the triggered session the SET proceeds to step P. Otherwise whenever the area event trigger mechanism in the SET indicates that a new position fix has to be performed, steps G to N are repeated.
- P. The SET ends the triggered session by sending a SUPL END message to the H-SPC.
- Q. The H-SPC informs the H-SLC about the end of the triggered session by sending a PEND message. PEND contains the session-id2.

The flow described in Figure 68 is applicable to all positioning methods, however, individual steps within the flows are optional:

- Step J is not performed for cell-id based positioning methods.
- Steps H and I may or may not be performed for cell-id based positioning methods.
- In A-GPS SET Based mode where no GPS assistance data is required from the network, no interaction with the H-SLP is required to calculate a position estimate. Interaction with the H-SLP is only required for GPS assistance data update in which case steps G to L are performed.

## 7.4.2 Roaming with V-SPC Positioning Successful Case

SUPL Roaming where the V-SPC is involved in the position calculation.



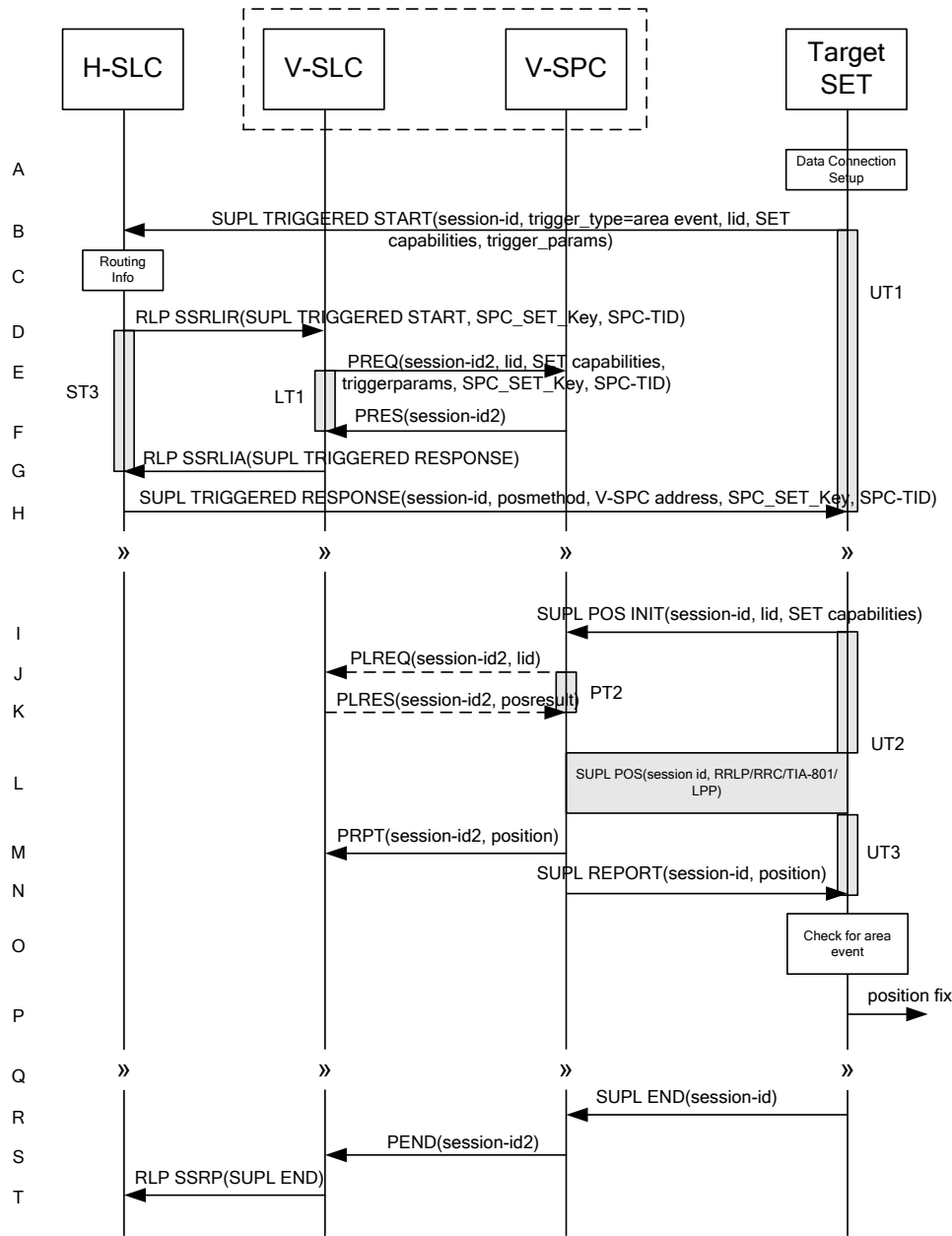


Figure 69: SET Initiated Area Event Trigger Service Roaming Successful Case – Non-Proxy with V-SPC positioning

NOTE 1: See Appendix C for timer descriptions.

- A. The SUPL Agent on the SET receives a request for an area event triggered service from an application running on the SET. The SET takes appropriate action establishing or resuming a secure connection.
- B. The SUPL Agent on the SET uses the default address provisioned by the Home Network to establish a secure connection to the H-SLC and sends a SUPL TRIGGERED START message to start a positioning session with the H-SLP. The SUPL TRIGGERED START message contains session-id, SET capabilities, trigger type indicator (in this case area event), Location ID (lid) and area event trigger parameters. The SET capabilities include the supported positioning methods (e.g., SET-Assisted A-GPS, SET-Based A-GPS) and associated positioning protocols (e.g., RRLP, RRC, TIA-801 or LPP/LPPE).
- C. The H-SLC verifies that the target SET is currently SUPL Roaming.

NOTE 2: The specifics for determining if the SET is SUPL Roaming or not is considered outside scope of SUPL 2.1. However, there are various environment dependent mechanisms.

- D. Based on the received lid or other mechanisms, the H-SLC determines the V-SLC and sends an RLP SSRLIR including the SUPL TRIGGERED START message to the V-SLC to inform the V-SLC that the target SET will initiate a SUPL positioning procedure. The area event trigger parameters such as area information requested by SUPL Agent for the area event triggered session MAY be included in this message by the H-SLC. The H-SLC also creates SPC\_SET\_Key and SPC-TID to be used for mutual V-SPC/SET authentication. SPC\_SET\_Key and SPC-TID are sent to the V-SLC as part of the RLP SSRLIR message.
- E. The V-SLC requests service from the V-SPC for an area event triggered SUPL session by sending a PREQ message containing the session-id2, the SET capabilities, the triggerparams and the lid. The PREQ MAY also optionally contain the QoP. The PREQ message also contains SPC\_SET\_Key and SPC-TID used for mutual V-SPC/SET authentication. The V-SLC MAY include its approved positioning methods for this session in the PREQ. If the approved positioning methods are not included, the V-SPC SHALL assume that all its available positioning methods have been approved.
- F. The V-SPC accepts the service request for a SUPL session from the V-SLC with a PRES message containing the session-id2. The V-SPC MAY include a preferred positioning method in the PRES. The V-SPC MAY include its supported positioning methods in the PRES.
- G. Consistent with the SUPL TRIGGERED START message including posmethod(s) supported by the SET, the V-SLC MAY determine the posmethod. If the V-SPC included a list of supported posmethods in step F, the chosen posmethod SHALL be on this list. If required for the posmethod, the V-SLC SHALL use the supported positioning protocol (e.g., RRLP, RRC, TIA-801 or LPP/LPPE) from the SUPL TRIGGERED START message. The V-SLC responds with a SUPL TRIGGERED RESPONSE tunnelled over RLP in a SSRLIA message back to the H-SLC that it is capable of supporting this request. The SUPL TRIGGERED RESPONSE contains at least the sessionid, posmethod and the V-SPC address.
- H. The H-SLC sends a SUPL TRIGGERED RESPONSE message to the SET. The SUPL TRIGGERED RESPONSE message contains session-id, posmethod, V-SPC address and SPC\_SET\_Key and SPC-TID for mutual V-SPC/SET authentication. The SET and the H-SLC MAY release the secure connection.
- I. When the area event trigger in the SET indicates that a position fix has to be calculated the SET takes appropriate action establishing or resuming a secure connection. The SET then sends a SUPL POS INIT message to start a positioning session with the V-SPC. The SUPL POS INIT message contains at least session-id, SET capabilities and Location ID (lid). The SET capabilities include the supported positioning methods (e.g., SET-Assisted A-GPS, SET-Based A-GPS) and associated positioning protocols (e.g., RRLP, RRC, TIA-801 or LPP/LPPE). The SET MAY optionally provide NMR specific for the radio technology being used (e.g., for GSM: TA, RXLEV). The SET MAY provide its position, if this is supported. The SET MAY include the first SUPL POS element in the SUPL POS INIT message. The SET MAY set the Requested Assistance Data element in the SUPL POS INIT. If a position calculated based on information received in the SUPL POS INIT message is available (e.g. a cell-id based position fix) that meets any required QoP, the V-SPC MAY directly proceed to step M and not engage in a SUPL POS session.
- J. If the V-SPC cannot translate the lid received in step I into a coarse position, the V-SPC sends a PLREQ message to the V-SLC. The PLREQ message contains the session-id2 and the lid. This step is optional and not required if the V-SPC can perform the translation from lid into coarse position itself.
- K. This step is conditional and only occurs if step J was performed. The V-SLC reports the coarse position result back to the V-SPC in a PLRES message. PLRES contains the session-id2 and the posresult. If the coarse position meets any required QoP, the V-SPC MAY directly proceed to step M and not engage in a SUPL POS session.
- L. Based on the SUPL POS INIT message including posmethod(s) supported by the SET the V-SPC SHALL determine the posmethod. If the V-SLC included its approved positioning methods in step E, the V-SPC SHALL only choose an approved method. The SET and the V-SPC exchange several successive positioning procedure messages. The V-SPC calculates the position estimate based on the received positioning measurements (SET-Assisted) or the SET calculates the position estimate based on assistance data obtained from the V-SPC (SET-Based).

- M. The V-SPC may optionally inform the V-SPC about the position fix or assistance data delivery process performed in step L. To this end the V-SPC sends a PRPT message to the V-SLC. PRPT contains at least session-id2
- N. Once the position calculation is complete, the V-SPC sends a SUPL REPORT message to the SET. The SET and the H-SPC MAY release the secure connection.  
The SUPL REPORT message includes the position result if the position estimate is calculated in the V-SPC and therefore needs to be sent to the SET.
- O. The SET compares the calculated position estimate with the event area to check if the event trigger condition has been met.
- P. If the area event was triggered the SET forwards the calculated position estimate to the internal SUPL Agent.
- Q. If the SET decides to end the triggered session the SET proceeds to step R. Otherwise whenever the area event trigger mechanism in the SET indicates that a new position fix has to be performed, steps I to P are repeated.
- R. The SET ends the triggered session by sending a SUPL END message to the V-SPC.
- S. The V-SPC informs the V-SLC about the end of the triggered session by sending a PEND message. PEND contains the session-id2.
- T. The V-SLC informs the H-SLC about the end of the triggered session by sending a SUPL END message using an RLP SSRP tunnel message to the H-SLC.

The flow described in Figure 69 is applicable to all positioning methods, however, individual steps within the flows are optional:

- Step L is not performed for cell-id based positioning methods.
- Steps J and K may or may not be performed for cell-id based positioning methods.
- In A-GPS SET Based mode where no GPS assistance data is required from the network, no interaction with the H-SLP is required to calculate a position estimate. Interaction with the H-SLP is only required for GPS assistance data update in which case steps I to N are performed.

### 7.4.3 Roaming with H-SPC Positioning Successful Case

SUPL Roaming where the H-SPC is involved in the position calculation.

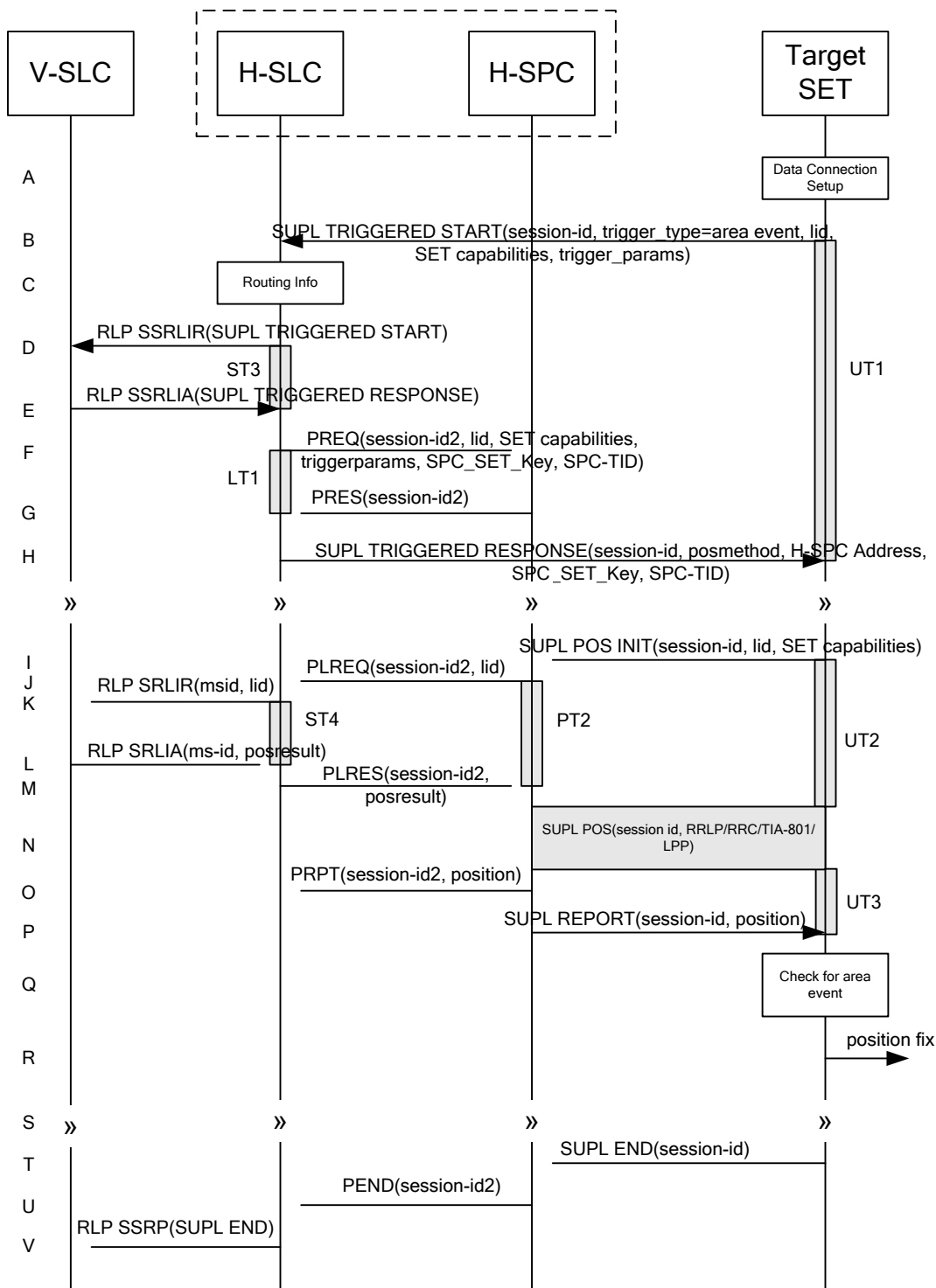


Figure 70: SET Initiated Area Event Trigger Service Roaming Successful Case – Non-Proxy with H-SPC positioning

NOTE 1: See Appendix C for timer descriptions.

- A. The SUPL Agent on the SET receives a request for an area event triggered service from an application running on the SET. The SET takes appropriate action establishing or resuming a secure connection.
- B. The SUPL Agent on the SET uses the default address provisioned by the Home Network to establish a secure connection to the H-SLC and sends a SUPL TRIGGERED START message to start a positioning session with the

H-SLP. The SUPL TRIGGERED START message contains session-id, SET capabilities, trigger type indicator (in this case area event), Location ID (lid) and area event trigger parameters. The SET capabilities include the supported positioning methods (e.g., SET-Assisted A-GPS, SET-Based A-GPS) and associated positioning protocols (e.g., RRLP, RRC, TIA-801 or LPP/LPPe).

C. The H-SLC verifies that the target SET is currently SUPL Roaming.

NOTE 2: The specifics for determining if the SET is SUPL Roaming or not is considered outside scope of SUPL 2.1. However, there are various environment dependent mechanisms.

- D. Based on the received lid or other mechanisms, the H-SLC determines the V-SLP and sends an RLP SSRLIR including a SUPL TRIGGERED START message to the V-SLC to inform the V-SLP that an area event triggered session is in the progress of being initiated with the H-SLP. The area event trigger parameters such as area information requested by SUPL Agent for the area event triggered session MAY be included in this message by the H-SLC.
- E. The V-SLC acknowledges the RLP request received in step D with a SUPL TRIGGERED RESPONSE message which is carried inside an RLP SSRLIA message.
- F. The H-SLC requests service from the H-SPC for an area event triggered SUPL session by sending a PREQ message containing the session-id2, the SET capabilities, the triggerparams and the lid. The H-SLC also creates SPC\_SET\_Key and SPC-TID to be used for mutual H-SPC/SET authentication. SPC\_SET\_Key and SPC-TID are forwarded to the H-SPC in the PREQ message. The PREQ MAY also optionally contain the QoP. The H-SLC MAY include its approved positioning methods for this session in the PREQ. If the approved positioning methods are not included, the H-SPC SHALL assume that all its available positioning methods have been approved.
- G. The H-SPC accepts the service request for a SUPL session from the H-SLC with a PRES message containing the session-id2. The H-SPC MAY include a preferred positioning method in the PRES. The H-SPC MAY include its supported positioning methods in the PRES.
- H. Consistent with the SUPL TRIGGERED START message including posmethod(s) supported by the SET, the H-SLC MAY determine the posmethod. If the H-SPC included a list of supported posmethods in step G, the chosen posmethod SHALL be on this list. If required for the posmethod, the H-SLC SHALL use the supported positioning protocol (e.g., RRLP, RRC, TIA-801 or LPP/LPPe) from the SUPL TRIGGERED START message. The H-SLC sends a SUPL TRIGGERED RESPONSE message to the SET. The SUPL TRIGGERED RESPONSE message contains session-id, posmethod, H-SPC address and SPC\_SET\_Key and SPC-TID for mutual H-SPC/SET authentication. The SET and the H-SLC MAY release the secure connection.
- I. When the area event trigger in the SET indicates that a position fix has to be calculated the SET takes appropriate action establishing or resuming a secure connection. The SET then sends a SUPL POS INIT message to start a positioning session with the H-SPC. The SUPL POS INIT message contains at least session-id, SET capabilities and Location ID (lid). The SET capabilities include the supported positioning methods (e.g., SET-Assisted A-GPS, SET-Based A-GPS) and associated positioning protocols (e.g., RRLP, RRC, TIA-801 or LPP/LPPe). The SET MAY optionally provide NMR specific for the radio technology being used (e.g., for GSM: TA, RXLEV). The SET MAY provide its position, if this is supported. The SET MAY include the first SUPL POS element in the SUPL POS INIT message. The SET MAY set the Requested Assistance Data element in the SUPL POS INIT. If a position is received in the SUPL POS INIT message that meets any required QoP, the H-SPC MAY directly proceed to step O and not engage in a SUPL POS session.
- J. The H-SPC sends a PLREQ message to the H-SLC to request translation of the received lid into a coarse position. The PLREQ message contains the session-id2 and the lid.
- K. To obtain a coarse position the H-SLC sends an RLP SRLIR message to the V-SLP.
- L. The V-SLC translates the received lid into a position estimate and returns the result to the H-SLC in an RLP SRLIA message.
- M. The H-SLC reports the coarse position result back to the H-SPC in a PLRES message. PLRES contains the session-id2 and the posresult. If the coarse position meets any required QoP, the H-SPC MAY directly proceed to step O and not engage in a SUPL POS session.

- N. Based on the SUPL POS INIT message including posmethod(s) supported by the SET the H-SPC SHALL determine the posmethod. If the H-SLC included its approved positioning methods in step F, the H-SPC SHALL only choose an approved method. The SET and the H-SPC exchange several successive positioning procedure messages. The H-SPC calculates the position estimate based on the received positioning measurements (SET-Assisted) or the SET calculates the position estimate based on assistance data obtained from the H-SPC (SET-Based).
- O. The H-SPC may optionally inform the H-SLC about the position fix or assistance data delivery process performed in step N. To this end the H-SPC sends a PRPT message to the H-SLC. PRPT contains at least session-id2.
- P. Once the position calculation is complete, the H-SPC sends a SUPL REPORT message to the SET. The SET and the H-SPC MAY release the secure connection. The SUPL REPORT message includes the position result if the position estimate is calculated in the V-SPC and therefore needs to be sent to the SET.
- Q. The SET compares the calculated position estimate with the event area to check if the event trigger condition has been met.
- R. If the area event was triggered the SET forwards the calculated position estimate to the internal SUPL Agent.
- S. If the SET decides to end the triggered session the SET proceeds to step T. Otherwise whenever the area event trigger mechanism in the SET indicates that a new position fix has to be performed, steps I to R are repeated.
- T. The SET ends the triggered session by sending a SUPL END message to the H-SPC.
- U. The H-SPC informs the H-SLC about the end of the triggered session by sending a PEND message. PEND contains the session-id2.
- V. The H-SLC informs the V-SLC about the end of the triggered session by sending a SUPL END message using an RLP SSRP tunnel message to the V-SLC.

The flow described in Figure 70 is applicable to all positioning methods, however, individual steps within the flows are optional:

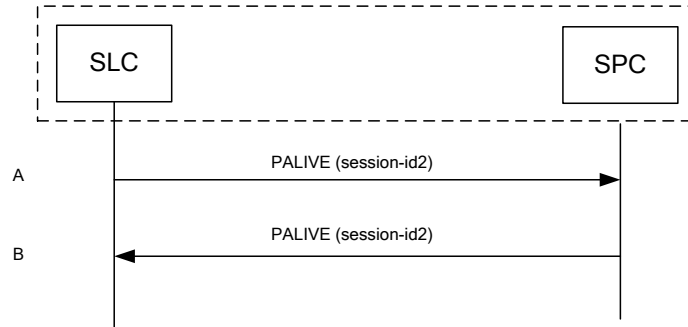
- Step N is not performed for cell-id based positioning methods.
- Steps J, K, L and M may or may not be performed for cell-id based positioning methods.
- In A-GPS SET Based mode where no GPS assistance data is required from the network, no interaction with the H-SLP/V-SLP is required to calculate a position estimate. Interaction with the H-SLP/V-SLP is only required for GPS assistance data update in which case steps I to P are performed.

## 7.5 Network/SET capabilities Change for Area Event Triggered Scenarios

This procedure which is defined in [SUPL 2 ULP TS] section 5.1.14 does not have implications for ILP since no routing info mechanism (i.e. to determine the SET's serving network) is defined in SUPL 2.1 (considered out of scope for SUPL 2.1) and a change in SET capabilities does not require additional ILP messaging.

## 8. Detailed Flows – SLC/SPC Heartbeat

### 8.1 Successful PALIVE exchange



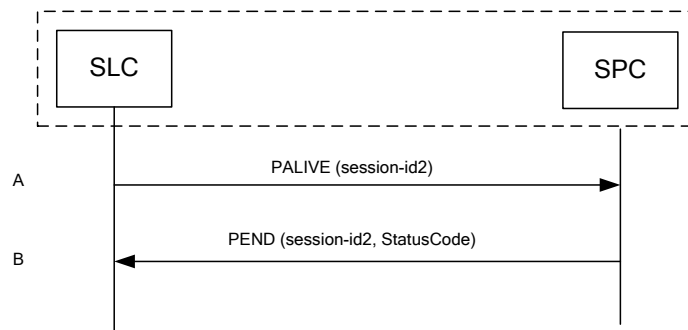
**Figure 71: Successful PALIVE exchange**

NOTE 1: This callflow applies both to PALIVE exchanges between the H-SLC and H-SPC and between the V-SLC and V-SPC.

NOTE 2: The use of guard timers for the PALIVE exchange is considered implementation dependent and out of scope for ILP.

- A. The SLC issues a PALIVE message to the SPC. The PALIVE message contains a session-id2 with an SLC Session ID. If a SET Session ID or SPC Session ID are included in the session-id2 parameter, they will be ignored
- B. The SPC SHALL respond with a PALIVE. The PALIVE message contains at least a session-id2. The SPC MAY include an SPCStatusCode in the PALIVE message.

### 8.2 PALIVE Error Handling



**Figure 72: PALIVE Error handling**

NOTE 1: This callflow covers the exception handling for the Successful PALIVE Exchange shown in 8.1. It applies in situations where the PALIVE arriving at the SPC cannot be decoded, contains a protocol error or is an unsupported version of ILP.

NOTE 2: This callflow applies both to PALIVE exchanges between the H-SLC and H-SPC and between the V-SLC and V-SPC.

NOTE 3: The use of guard timers for the PALIVE exchange is considered implementation dependent and out of scope for ILP.

- A. The SLC issues a PALIVE message to the SPC. The PALIVE message contains a session-id2 with an SLC Session ID. If a SET Session ID or SPC Session ID are included in the session-id2 parameter, they will be ignored
- B. If the SPC cannot decode the incoming PALIVE message, or if it contains a protocol error or is a version of ILP that the SPC does not support, the SPC SHALL respond with a PEND with an appropriate Status Code.



## 9. Security Considerations

This section describes the security considerations of ILP.

### 9.1 SLC-SPC Security

The connection between the SLC and SPC SHALL be secure. The specifics of which methods are used to secure the connection are beyond the scope of this document

### 9.2 Non-Proxy Mode Mutual Authentication Key Refresh Mechanism

The keys used for mutual authentication in non-proxy mode (SPC\_SET\_Key, SPC-TID, SPC\_SET\_Key\_lifetime) require a refresh mechanism for triggered scenarios. For immediate scenarios, no refresh mechanism is required since the duration of an immediate SUPL session never exceeds the lifetime of the mutual authentication keys SPC\_SET\_Key and SPC-TID and each new authentication keys are generated at the beginning of each immediate SUPL session. The following sections describe a key refresh mechanism for non-roaming and roaming scenarios.

#### 9.2.1 Mutual Authentication Key Refresh Mechanism for non roaming

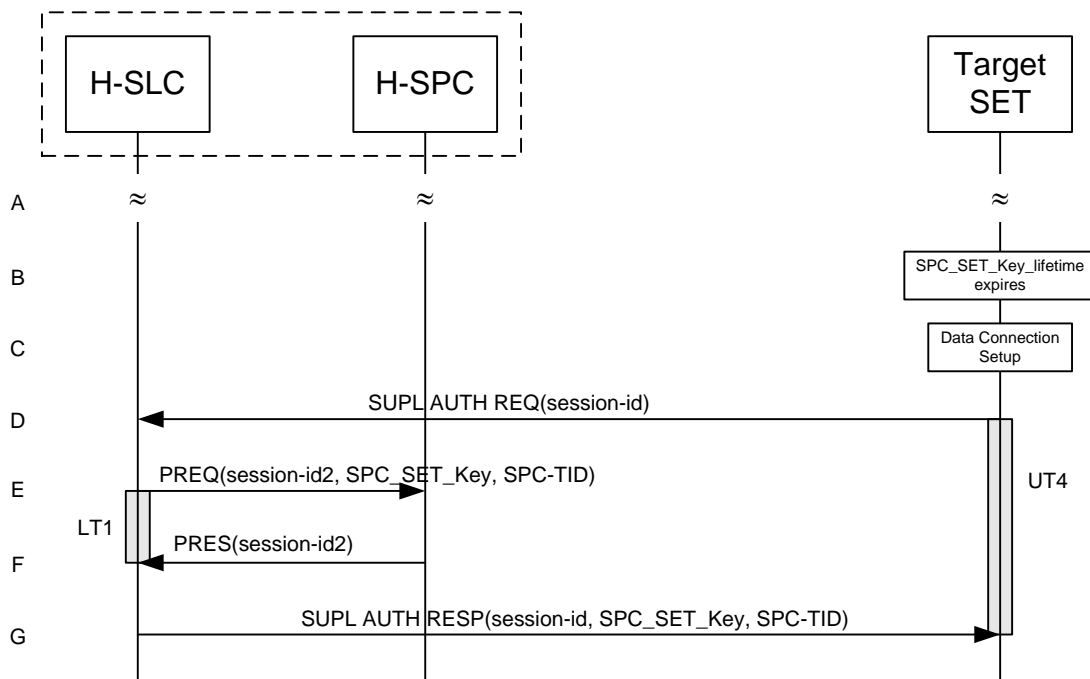


Figure 73: Mutual authentication key refresh mechanism for non roaming

NOTE 1: See Appendix C for timer descriptions.

- A. The SET and the H-SLP are engaged in a non-proxy triggered SUPL session.
- B. A fixed (and configurable) amount of time before SPC\_SET\_Key\_lifetime expires, the SET requires a new SPC\_SET\_Key and SPC-TID to be used for mutual SET/H-SPC authentication.
- C. The SET takes appropriate action establishing or resuming a secure connection.

- D. The SUPL Agent on the SET uses the default address provisioned by the Home Network to establish a secure connection to the H-SLC and sends a SUPL AUTH REQ message to the H-SLC. The SUPL AUTH REQ message contains the session-id.
- E. The H-SLC creates SPC\_SET\_Key and SPC-TID to be used for mutual H-SPC/SET authentication and optionally also a new SPC\_SET\_Key\_lifetime. The H-SLC forwards these keys to the H-SPC in a PREQ message. PREQ contains session-ids, SPC\_SET\_Key, SPC-TID and optionally SPC\_SET\_Key\_lifetime.
- F. The H-SPC confirms the receipt of the PREQ message with a PRES message.
- G. The H-SLC forwards SPC\_SET\_Key, SPC-TID and optionally SPC\_SET\_Key\_lifetime to the SET in a SUPL AUTH RESP message. The SET MAY release the IP connection to the H-SLC.

### 9.2.2 Mutual Authentication Key Refresh Mechanism for roaming with V-SLP

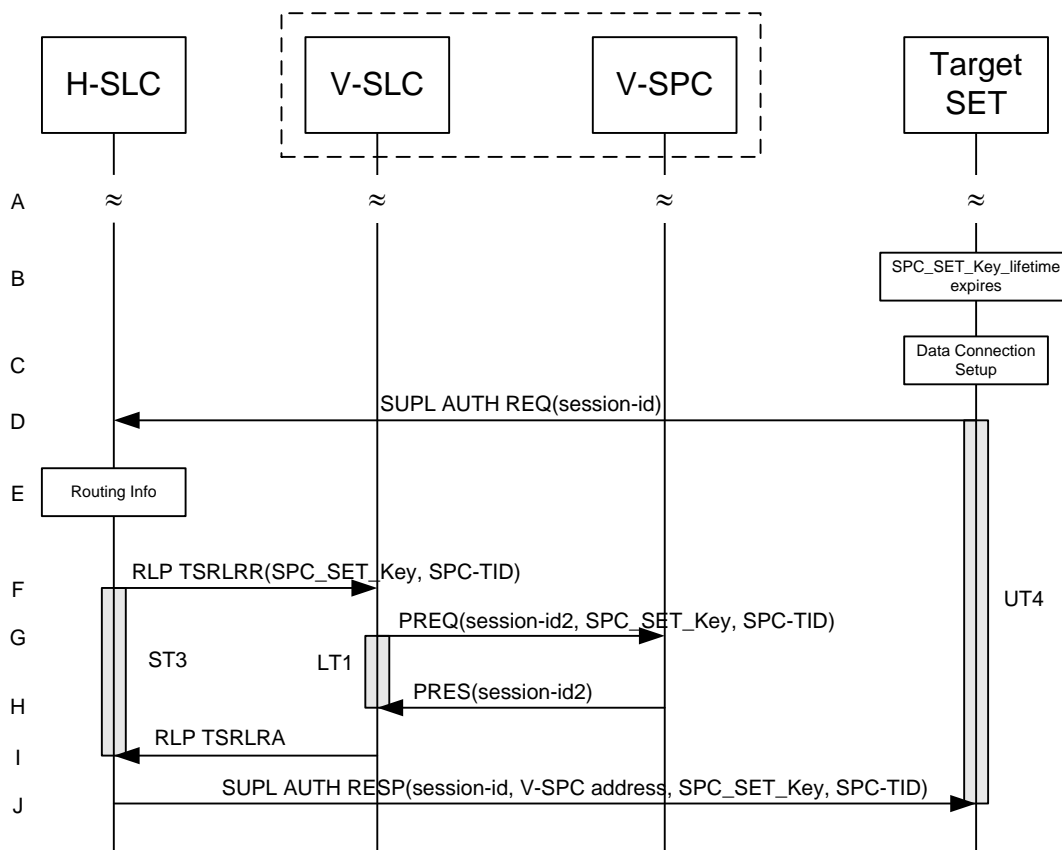


Figure 74: Mutual authentication key refresh mechanism for roaming with V-SLP

NOTE 1: See Appendix C for timer descriptions.

- A. The SET and the H/V-SLP are engaged in a non-proxy triggered SUPL session.
- B. A fixed (and configurable) amount of time before SPC\_SET\_Key\_lifetime expires, the SET requires a new SPC\_SET\_Key and SPC-TID to be used for mutual SET/V-SPC authentication.
- C. The SET takes appropriate action establishing or resuming a secure connection.

D. The SUPL Agent on the SET uses the default address provisioned by the Home Network to establish a secure connection to the H-SLC and sends a SUPL AUTH REQ message to the H-SLC. The SUPL AUTH REQ message contains the session-id.

E. The H-SLC verifies that the target SET is currently SUPL Roaming.

NOTE 2: The specifics for determining if the SET is SUPL Roaming or not is considered outside scope of SUPL 2.1 (there are various environment dependent mechanisms).

F. The H-SLC creates SPC\_SET\_Key and SPC-TID to be used for mutual V-SPC/SET authentication and optionally also a new SPC\_SET\_Key\_lifetime. The H-SLC forwards these keys to the V-SPC in a RLP SSRLIR message.

G. The V-SLC forwards SPC\_SET\_Key, SPC-TID and optionally SPC\_SET\_Key\_lifetime to the V-SPC in a PREQ message.

H. The V-SPC confirms the receipt of the PREQ message with a PRES message.

I. The V-SLC responds to the H-SLC with an RLP RSRLRA message.

J. The H-SLC forwards V-SPC address, SPC\_SET\_Key, SPC-TID and optionally SPC\_SET\_Key\_lifetime to the SET in a SUPL AUTH RESP message. The SET MAY release the IP connection to the H-SLC.

### 9.2.3 Mutual Authentication Key Refresh Mechanism for roaming with H-SLP

The key refresh mechanism for roaming with H-SLP follows the exact same flow as for non-roaming (section 9.2.1).

## 10. Protocols and Interfaces

The encoding for the ILP protocol SHALL be ASN.1 [ASN.1].

The encoding is BASIC-PER, unaligned encoding [PER.1].

The transport protocol between SLC and SPC SHALL be TCP/IP.

### 10.1 TCP/IP

An Llp reference point MAY provide two socket ports for operation, one for encryption with TLS 1.1 [TLS] and one without.

The port numbers for ILP messages transported over TCP SHALL be as registered with IANA (Internet Assigned Numbers Authority). The port numbers are:

oma-ilp	7276/tcp	OMA Internal Location Protocol
oma-ilp-s	7277/tcp	OMA Internal Location Secure Protocol

Note: An SLC or SPC MAY choose to introduce other technologies for secure transfer. Any such technology SHALL be provided over a different port than the two mentioned above.

### 10.2 Llp

The function of the Llp reference point is logically separated into Positioning Control and Positioning Data.

#### 10.2.1 Positioning Control

The Positioning Control interface is used in the establishment, maintenance and clearing of sessions between the SLC and SPC. It enables the SLC and SPC to perform Position Calculation Function.

Table 1 shows the messages of the Llp Positioning Control interface.

Message Name	Description
PREQ	The PREQ message is used by the SLC to request a SUPL session of the SPC.
PRES	The PRES message is the response to a PREQ message and sent by the SPC to the SLC.
PRPT	The PRPT message is used by the SPC to report a position estimate or an error to the SLC.
PLREQ	The PLREQ message is used by the SLC (or SPC) to request a cell-id translation into coarse position estimate from the SPC (or SLC).
PLRES	The PLRES message is used by the SPC (or SLC) to report a coarse position estimate based on cell-id translation to the SLC (or SPC).
PAUTH	The PAUTH message is used by the SLC to send SUPL authentication parameters to the SPC.
PALIVE	The PALIVE message is used by the SLC to verify the operational status of the SPC. The SLC may send the PALIVE message at any time. The SPC must then respond with a corresponding PALIVE message.
PEND	The PEND message is used by the SLC (or SPC) to inform the SPC (or SLC) about the end of a SUPL session.

**Table 1: Llp Positioning Control**

## 10.2.2 Positioning Data

The Positioning Data interface is used to transport information used for the position calculation. This interface is used in proxy mode only.

Table 2 shows the messages of the Positioning Data interface.

Message Name	Description
PMESS	The PMESS message is bidirectional and is used to carry RRLP/RRC/TIA-801/LPP/LPPE payload.
PINIT	The PINIT message is used by the SLC to initiate the positioning protocol session (RRLP/RRC/TIA-801/LPP/LPPE) with the SPC.

**Table 2: Llp Positioning Data**

For additional requirements concerning the use of positioning protocols and position determination messages, refer to [SUPL2 ULP TS].

## 11.ILP Message Definitions (Normative)

This section contains a normative description of the ILP messages. All messages in ILP contain a common part and a message specific part.

### 11.1 Common Part

Parameter	Presence	Description
<b>Message Length</b>	M	The length of the entire ILP Message in octets.  Note: The first two octets of a PER encoded ILP message contains the length of the entire message. These octets are set to the Message Length when the PER encoding is complete and the entire message length is known.
<b>Version</b>	M	Version of the ILP protocol, in the form Major, Minor, Service Indicator
<b>Session ID2</b>	M	The unique Session ID2
<b>Message Payload</b>	M	This parameter contains one of the messages defined in ILP.  Defined messages are: <ul style="list-style-type: none"> <li>• PREQ</li> <li>• PRES</li> <li>• PRPT</li> <li>• PLREQ</li> <li>• PLRES</li> <li>• PINIT</li> <li>• PAUTH</li> <li>• PALIVE</li> <li>• PEND</li> <li>• PMESS</li> </ul>

**Table 3: Common Part**

### 11.2 Message Specific Part

The message specific part contains further parameters that are unique for each ILP message. The following sections describe the message specific part of ILP messages.

## 11.2.1 PREQ

The PREQ message is used by the SLC to request a SUPL session from the SPC.

Parameter	Presence	Values/description
<b>SLP Mode</b>	M	Indicates whether proxy or non-proxy mode is used.
<b>Approved Positioning Method List</b>	O	Defines the list of positioning technologies approved by the SLC, which can be A-GNSS SET assisted, A-GNSS SET Based, Autonomous GNSS, EOTD, OTDOA, AFLT or Enhanced Cell ID. If this list is not present, the H-SPC SHALL assume all available positioning technologies have been approved by the SLC.
<b>Location ID</b>	O	Describes a globally unique cell, WLAN AP or WiMAX BS identification of the most current serving cell
<b>Multiple Location IDs</b>	O	This parameter may contain current non-serving cell, current non-serving WLAN AP or current non-serving WiMAX BS information for the SET and/or historic serving or non-serving cell, or WLAN AP or WiMAX BS information for the SET.
<b>Position</b>	O	Defines the position estimate for the SET.
<b>Trigger Parameters</b>	CV	This parameter is only required for triggered SUPL sessions and defines the trigger parameters.
<b>SPC_SET_Key</b>	O	This parameter is only required for non-proxy mode for certain scenarios (not all scenarios) and is used for mutual SET - H/V-SPC authentication.
<b>SPC-TID</b>	O	This parameter defines the transaction ID used for mutual SET - H/V-SPC authentication. It is only used for certain scenarios (not all scenarios).
<b>SPC_SET_Key_lifetime</b>	O	This parameter defines the lifetime of SPC_SET_Key. This parameter is optional. If not present, a default value of 24 hours is assumed. The units are in hours and the range is from 1 to 24 hours.
<b>QoP</b>	O	Desired Quality of Position
<b>SET Capabilities</b>	O	Defines the capabilities of the SET. This parameter <b>MUST</b> not be used for Immediate Network Initiated scenarios but <b>MUST</b> be used for all other scenarios.
<b>Notification Mode</b>	O	This parameter indicates whether any

		combination of notification or verification based on location is required. It is only applicable for Non-Proxy mode. If not present, the H-SPC SHALL assume notification or verification based on location is not required.
--	--	---

Table 4: PREQ Message

## 11.2.2 PRES

The PRES message is sent by the SPC in response to a PREQ message.

Parameter	Presence	Values/description
<b>Preferred Positioning Method</b>	O	<p>Defines the SPC's preferred positioning method</p> <p>If the Preferred Positioning Method is AGNSS SET Assisted or AGNSS SET Based, the parameter GNSS Positioning Technology MUST be present to indicate the actual positioning technologies.</p> <p>If the Preferred Positioning Method is Autonomous GNSS, the parameter GNSS Positioning Technology MAY be present.</p>
<b>GNSS Positioning Technology</b>	O	<p>Defines the actual GNSSs allowed for AGNSS SET Assisted, AGNSS SET Based or Autonomous GNSS in the Preferred Positioning Method parameter.</p> <ul style="list-style-type: none"> <li>• GPS</li> <li>• Galileo</li> <li>• SBAS</li> <li>• Modernized GPS</li> <li>• QZSS</li> <li>• GLONASS</li> <li>• BDS</li> </ul> <p>Note: GPS MUST NOT be the only allowed GNSS in this parameter</p>
<b>Supported Positioning Method List</b>	O	Defines the list of positioning technologies supported by the SPC.
<b>Position</b>	O	Defines the position estimate for the SET. This parameter is used if PREQ contained a Location ID based on which the SPC calculated a position estimate.
<b>SPC Status Code</b>	O	Defines the status code for error handling.



**Table 5: PRES Message**

### 11.2.3 PRPT

The PRPT message is used by the SPC to report a position estimate. PRPT is only used for triggered services.

Parameter	Presence	Values/description
Position	O	Defines the position estimate for the SET. The position parameter may be omitted in error scenarios in which case the status code is present.
Number of fix	O	Defines the number of the fix.
Status Code	O	Defines the status code for error handling.

**Table 6: PRPT Message**

### 11.2.4 PLREQ

The PLREQ message is used by the SLC (or SPC) to request a cell-id translation into a coarse position.

Parameter	Presence	Values/description
Location ID	M	Describes a globally unique cell , WLAN AP or WiMAX BS identification of the most current serving cell.
Multiple Location IDs	O	This parameter may contain current non-serving cell, current non-serving WLAN AP or current non-serving WiMAX BS information for the SET and/or historic serving or non-serving cell, WLAN AP or WiMAX BS information for the SET according to the Supported Network Information received from the SLP.

**Table 7: PLREQ Message**

### 11.2.5 PLRES

The PLRES message is used by the SPC (or SLC) to return a coarse position based on cell-id translation request.

Parameter	Presence	Values/description
Position Results	O	Defines either a position estimate or - if no position could be calculated - a status code. Can be either one single Position Result or multiple Position Results.

**Table 8: PLRES Message**

### 11.2.6 PINIT

The PINIT message is sent by the SLC to the SPC before the start of the positioning procedure message exchange. PINIT may optionally contain the positioning payload if the positioning protocol allows the SET to send the first message.

Parameter	Presence	Values/description
<b>SET Capabilities</b>	M	Defines the capabilities of the SET.
<b>Location ID</b>	M	Describes a globally unique cell, WLAN AP or WiMAX BS identification of the most current serving cell. Defines the cell information of the SET.
<b>Positioning Method</b>	O	<p>Defines the positioning method that the SPC SHALL use. If this is not present, the SPC MAY choose any positioning method that the SLC has previously approved.</p> <p>If the Positioning Method is AGNSS SET Assisted or AGNSS SET Based, the parameter GNSS Positioning Technology MUST be present to indicate the actual positioning technologies.</p> <p>If the Positioning Method is Autonomous GNSS, the parameter GNSS Positioning Technology MAY be present.</p>
<b>Requested Assistance Data</b>	O	<p>Defines the requested GPS and GANSS assistance data.</p> <p>The presence of this element indicates that the SET wants to obtain specific GPS and GANSS assistance data from the SLP. The SET might use this element in any combination of A-GPS SET assisted / A-GPS SET based/A-GANSS SET assisted/A-GANSS SET based and Network initiated / SET initiated positioning.</p> <p>The Requested Assistance Data parameter is not applicable to TIA-801 [TIA-801] and LPP/LPPe [3GPP LPP]/[OMA-LPPe].</p>
<b>Position</b>	O	Defines the position of the SET.
<b>Positioning Payload</b>	O	<p>If a positioning protocol that allows the SET to send the first message is used, and the SUPL POS INIT contains a positioning protocol payload, the parameter also contains that payload.</p> <p>Any positioning protocol messages in this parameter that are not supported by the SPC SHALL be ignored by that SPC.</p>
<b>Multiple Location IDs</b>	O	This parameter may contain current non-serving cell, current non-serving WLAN AP or current non-serving WiMAX BS information for the SET and/or historic serving or non-serving cell, WLAN AP or WiMAX BS information for the SET according to the Supported Network

		Information received from the SLP.
<b>UTRAN GPS Reference Time Result</b>	O	The UTRAN GPS Reference Time Result as measured by the SET. This parameter is sent by the SET to the SLC if available and requested by the SLC in the Supported Network Information parameter (in SUPL INIT, SUPL RESPONSE or SUPL TRIGGERED RESPONSE) if the serving cell is WCDMA/TD-SCDMA and RRLP is used as the positioning protocol.
<b>UTRAN GANSS Reference Time Result</b>	O	The UTRAN GANSS Reference Time Result as measured by the SET. This parameter is sent by the SET to the SLC if available and requested by the SLC in the Supported Network Information parameter (in SUPL INIT, SUPL RESPONSE or SUPL TRIGGERED RESPONSE) if the serving cell is WCDMA/TD-SCDMA and RRLP is used as the positioning protocol.
<b>GNSS Positioning Technology</b>	CV	<p>Defines the actual GNSSs allowed for AGNSS SET Assisted, AGNSS SET Based or Autonomous GNSS in the Positioning Method parameter.</p> <ul style="list-style-type: none"> <li>• GPS</li> <li>• Galileo</li> <li>• SBAS</li> <li>• Modernized GPS</li> <li>• QZSS</li> <li>• GLONASS</li> <li>• BDS</li> </ul> <p>Note: GPS MUST NOT be the only allowed GNSS in this parameter.</p>

**Table 9: PINIT Message**

### 11.2.7 PAUTH

The PAUTH message is used by the SLC to send SUPL authentication parameter to the SPC. This message is only used in non-proxy mode.

Parameter	Presence	Values/description
<b>SPC_SET_Key</b>	M	This parameter is used for mutual SET - H/V-SPC authentication.
<b>SPC-TID</b>	M	This parameter is used for mutual SET - H/V-SPC authentication.
<b>SPC_SET_Key_lifetime</b>	O	This parameter defines the lifetime of SPC_SET_Key. This parameter is optional. If not present, a default value of 24 hours is assumed. The units are in hours and the range is from 1 to 24 hours.

**Table 10: PAUTH Message**

## 11.2.8 PALIVE

The PALIVE message is used by the SLC to verify the operational status of the SPC and by the SPC to respond to the SLC's query.

Parameter	Presence	Values/description
SPC Status Code	CV	This parameter is only required in the response of the SPC to the SLC and defines the operational status of the SPC.

**Table 11: PALIVE Message**

## 11.2.9 PEND

The PEND message is used by the SLC (or SPC) to inform the SPC (or SLC) about the end of a SUPL session.

Parameter	Presence	Values/description
Position	O	Defines the position estimate for the SET.
Status Code	O	Defines the status code for error handling.

**Table 12: PEND Message**

## 11.2.10 PMESS

The PMESS message is used for RRLP/RRC/TIA-801/LPP/LPPE payload exchange between the SET and the SPC and may contain additional information such as velocity, UTRAN GPS/GANSS Reference Time Assistance or UTRAN GPS/GANSS Reference Time Result not carried within the positioning protocol payloads.

Parameter	Presence	Values/description
Positioning Payload	M	The underlying TIA-801, RRLP, RRC or LPP/LPPE elements.
Velocity	O	Velocity of the SET needed to overcome the lack of this information in RRLP and RRC. Defined in [3GPP GAD]
UTRAN GPS Reference Time Assistance	O	The UTRAN GPS Reference Time Assistance is sent by the SLP to the SET if requested by the SET in the Requested Assistance Data parameter (in SUPL POS INIT) if the serving cell is WCDMA/TD-SCDMA and RRLP is used as positioning protocol. If present, this parameter is always sent from the SPC to the SLC.
UTRAN GPS Reference Time Result	O	The UTRAN GPS Reference Time Result as measured by the SET. This parameter is sent by the SET to the SLP if available and requested by the SLP in the Supported Network Information parameter (in SUPL INIT, SUPL RESPONSE and SUPL

		TRIGGERED RESPONSE) if the serving cell is WCDMA/TD-SCDMA and RRLP is used as positioning protocol. If present, this parameter is always sent from the SLC to the SPC.
<b>UTRAN GANSS Reference Time Assistance</b>	O	The UTRAN GANSS Reference Time Assistance is sent by the SLP to the SET if requested by the SET in the Requested Assistance Data parameter (in SUPL POS INIT) if the serving cell is WCDMA/TD-SCDMA and RRLP is used as positioning protocol. If present, this parameter is always sent from the SPC to the SLC.
<b>UTRAN GANSS Reference Time Result</b>	O	The UTRAN GANSS Reference Time Result as measured by the SET. This parameter is sent by the SET to the SLP if available and requested by the SLP in the Supported Network Information parameter (in SUPL INIT, SUPL RESPONSE and SUPL TRIGGERED RESPONSE) if the serving cell is WCDMA/TD-SCDMA and RRLP is used as positioning protocol. If present, this parameter is always sent from the SLC to the SPC.

Table 13: PMESS Message

## 12.Parameter Definitions (Normative)

This section contains descriptions of the parameters used in ILP messages.

### 12.1 Version

Parameter	Presence	Value/Description
Version	-	<p>Describes the protocol version of ILP</p> <p>When a ILP message is received, the receiving entity SHALL determine if the Major and Minor Versions specified in the message are supported by the receiving entity.</p> <p>If the Major Version and Minor Versions are not supported, the exception procedure for ILP protocol error SHALL be performed.</p> <p>Note that there is no requirement for backwards compatibility in ILP, unlike the mechanism used in ULP.</p>
>Maj	M	Major Version, range: (0..255), MUST be 2 for the version described in this document
>Min	M	Minor Version, range: (0..255), MUST be 0 for the version described in this document.
>Serv_ind	M	Service Indicator, range: (0..255), MUST be 0 for the version described in this document.

Table 14: Version Parameter

### 12.2 Session ID2

The Session ID2 SHALL be a unique value, consisting of two mandatory parts, a SLC value (SLC Session ID, see section 12.2.1) concatenated with an SPC value (SPC Session ID, see section 12.2.3). An optional SET value (SET Session ID, see section 12.2.2) MAY be included. For the SLC Session ID, the SLC SHALL reuse the values from the SLP Session ID.

Parameter	Presence	Value/Description
SLC Session ID	M	Part of Session ID pertaining to the SLC
SET Session ID	O	Part of Session ID pertaining to the SET
SPC Session ID	M	Part of Session ID pertaining to the SPC

Table 15: Session ID2 Parameter

When sending a PREQ to the SPC, the SLC SHALL assign a value to the SLC Session ID, but the SLC SHALL not include the SPC Session ID in the message. The SPC SHALL then assign a value to the SPC Session ID when it receives the message. Any further messages SHALL contain the resultant combined Session ID for the remainder of the session.

The SLC MAY add the optional SET Session ID to the session ID2 at any time.

## 12.2.1 SLC Session ID

This section describes the construct of the SLP Session ID.

Parameter	Presence	Value/Description
Session ID	M	Session identifier, unique from SLC perspective. The SLC SHALL use the same value that it used in the SLP Session ID included in the ULP Session ID.
SLC ID	M	<p>The identity of the SLC.</p> <p>This parameter can be of type</p> <ul style="list-style-type: none"> <li>• IPAddress <ul style="list-style-type: none"> <li>○ IPv4</li> <li>○ IPv6</li> </ul> </li> <li>• FQDN.</li> </ul> <p>The SLC SHALL use the same value that it used in the SLP ID included in the ULP Session ID.</p>

Table 16: SLC Session ID Parameter

## 12.2.2 SET Session ID

This section describes the construct of the SET Session ID.

Parameter	Presence	Value/Description
Session ID	M	Session identifier, unique from SET perspective. This value SHALL be unique over all concurrently active ULP sessions on that particular SET. This value may be reused by the SET after the ULP session for which it is being used has ended.

<b>SET ID</b>	M	<p>SET identity value This parameter can be of type</p> <ul style="list-style-type: none"> <li>• MSISDN</li> <li>• MDN</li> <li>• MIN (encoded as per [TIA-553])</li> <li>• IMSI</li> <li>• NAI</li> <li>• IPAddress                         <ul style="list-style-type: none"> <li>○ IPv4</li> <li>○ IPv6</li> </ul> </li> </ul>
---------------	---	---

Table 17: SET Session ID Parameter

### 12.2.3 SPC Session ID

This section describes the construct of the SLP Session ID.

Parameter	Presence	Value/Description
<b>Session ID</b>	M	<p>Session identifier, unique from SPC perspective. This value SHALL be unique over all concurrently active ILP sessions for that particular SPC. This value may be reused by the SP C after the ILP session for which it is being used has ended. This parameter is written into a 4-octet-string.</p>
<b>SPC ID</b>	M	<p>The identity of the SPC. This parameter can be of type</p> <ul style="list-style-type: none"> <li>• IPAddress                         <ul style="list-style-type: none"> <li>○ IPv4</li> <li>○ IPv6</li> </ul> </li> <li>• FQDN.</li> </ul>

Table 18: SPC Session ID Parameter

## 12.3 Positioning Method

Parameter	Presence	Description
<b>Position Method</b>	-	<p>Describes the positioning method:</p> <ul style="list-style-type: none"> <li>• A-GPS SET assisted only</li> </ul>



		<ul style="list-style-type: none"> <li>• A-GPS SET based only</li> <li>• A-GPS SET assisted preferred (A-GPS SET based is the fallback mode)</li> <li>• A-GPS SET based preferred (A-GPS SET assisted is the fallback mode)</li> <li>• A-GNSS SET Assisted only</li> <li>• A-GNSS SET Based only</li> <li>• A-GNSS SET Assisted preferred (A-GNSS SET Based is the fallback mode)</li> <li>• A-GNSS SET Based preferred (A-GNSS SET Assisted is the fallback mode)</li> <li>• Autonomous GPS</li> <li>• Autonomous GNSS</li> <li>• AFLT</li> <li>• Enhanced Cell/sector</li> <li>• EOTD</li> <li>• OTDOA</li> </ul> <p>In case of A-GNSS SET Based, A-GNSS SET Assisted, the GNSS Positioning Technology MUST be used to specify which GNSS is to be used. For Autonomous GNSS, the GNSS Positioning Technology MAY be used to specify which GNSS is to be used..</p>
--	--	---

**Table 19: Positioning Method Parameter**

## 12.4 SLP Mode

Parameter	Presence	Value/Description
SLP Mode	-	Describes the mode that the SLP uses. This parameter can be of type <ul style="list-style-type: none"> <li>- Proxy mode</li> <li>- Non-proxy mode</li> </ul>

Table 20: SLP Mode Parameter

## 12.5 Location ID

Parameter	Presence	Values/description
Location ID	-	Defines the current serving cell, current serving WLAN AP or current serving WiMAX BS information of the SET.
>Cell Info	M	The following cell IDs are supported: <ul style="list-style-type: none"> <li>• GSM Cell Info</li> <li>• WCDMA/TD-SCDMA Cell Info</li> <li>• CDMA Cell Info</li> <li>• HRPD Cell Info</li> <li>• UMB Cell Info</li> <li>• LTE Cell Info</li> <li>• WLAN AP Info</li> <li>• WiMAX BS Info</li> </ul>
>Status	M	Describes whether or not the cell, WLAN AP or WiMAX BS info is: <ul style="list-style-type: none"> <li>• Not Current, last known cell/AP/BS info</li> <li>• Current, the present cell/AP/BS info</li> <li>• Unknown (i.e. not known whether the cell/AP/BS id is current or not current)</li> </ul> <p>NOTE: The Status parameter does NOT apply to WCDMA/TD-SCDMA optional parameters (Frequency Info, Primary Scrambling Code/Cell Parameters ID and Measured Results List). Frequency Info, Primary Scrambling Code/Cell Parameters ID and Measured Results List, if present, are always considered to be correct for the current cell.</p>

Table 21: Location ID Parameter

### 12.5.1 GSM Cell Info

The gsmCell parameter defines the parameter of a GSM radio cell.

Parameter	Presence	Value/Description
<b>Gsm Cell Info</b>	-	GSM Cell ID
>MCC	M	Mobile Country Code, range: (0..999)
>MNC	M	Mobile Network Code, range: (0..999)
>LAC	M	Location Area Code, range: (0..65535)
>CI	M	Cell Identity, range: (0..65535)
>NMR	O	Network Measurement Report – can be present for 1 to 15 cells.
>>ARFCN	M	ARFCN, range: (0..1023)
>>BSIC	M	BSIC, range: (0..63)
>>RXLev	M	RXLEV, range: (0..63)
>TA	O	Timing Advance, range: (0..255)

Table 22: GSM Cell Info Parameter

## 12.5.2 WCDMA/TD-SCDMA Cell Info

The WCDMA/TD-SCDMA parameter defines the parameter of a WCDMA/TD-SCDMA radio cell.

Parameter	Presence	Value/Description
<b>WCDMA/TD-SCDMA Cell Info</b>	-	WCDMA/TD-SCDMA Cell ID
>MCC	M	Mobile Country Code, range: (0..999)
>MNC	M	Mobile Network Code, range: (0..999)
>UC-ID	M	Cell Identity, range: (0..268435455). NOTE: this information element contains the Cell Identity sent in SIB3 [3GPP RRC].
>Frequency Info	O	Frequency info can be: fdd: uarfcn-UL, range: (0..16383) uarfcn-DL, range: (0..16383) In case of fdd, uarfcn-UL is optional while uarfcn-DL is mandatory. If uarfcn-UL is not present, the default duplex distance defined for the operating frequency band shall be used [3GPP RRC]. tdd uarfcn-Nt, range: (0..16383)  NOTE: Frequency Info and Primary Scrambling Code are always those of the current cell.
>Primary Scrambling Code	O	Primary Scrambling Code, range: (0..511)  NOTE: The field applies only in the case of a WCDMA cell.  NOTE: Frequency Info and Primary Scrambling Code/Cell Parameters ID are always those of the current cell.
>Measured Results List	O	Network Measurement Report for WCDMA/TD-SCDMA comprising both intra- and/or inter-frequency cell measurements (as per [3GPP RRC]).
>Cell Parameters ID	O	Cell Parameters ID, range: (0..127)  NOTE: This field applies only to TD-SCDMA  NOTE: Frequency info and Cell Parameters ID are always those of the current cell.  NOTE: This parameter is mandatory for a TD-SCDMA cell.
>Timing Advance	O	Timing advance

		NOTE: This field applies only to TD-SCDMA
>> TA	M	<p>Timing advance measurement, range (0..8191)</p> <p>For 1.28Mcps TDD, it means uplink timing advance applied by the UE (as per 5.1.14 [3GPP 25.225])</p> <p>For 3.84Mcps TDD, it means absolute timing advance value to be used to avoid large delay spread at the NodeB (as per 10.3.6.95 [3GPP RRC] and as per 10.3.6.95a [3GPP RRC]); In such case, 256 to 8191 value is spare;</p> <p>For 7.68Mcps TDD, it means absolute timing advance value to be used to avoid large delay spread at the NodeB (as per 10.3.6.95 [3GPP RRC] and as per 10.3.6.95a [3GPP RRC]); In such case, 512 to 8191 value is spare;</p>
>>TA Resolution	O	<p>Measurement resolution.</p> <p>Supported resolutions are 0.125, 0.5 and 1 chips.</p> <p>If this field is missing, the resolution is 0.125 chips.</p>
>> Chip Rate	O	<p>UTRA-TDD chip rate. Supported chip rates are 1.28, 3.84 and 7.68 Mchips/s.</p> <p>If this field is missing, the rate is 1.28 Mchips/s.</p>

Table 23: WCDMA/TD-SCDMA Cell Info Parameter

### 12.5.3 LTE Cell Info

The LTE Cell Info parameter defines the parameter of a LTE radio cell [3GPP LTE].

Parameter	Presence	Value/Description
LTE Cell Info	-	LTE Cell ID. Parameter definitions in [3GPP LTE].
>CellGlobalIdEUTRA	M	
>>PLMN-Identity	M	
>>>MCC	M	Mobile Country Code, range: (0..999)
>>>MNC	M	Mobile Network Code, range: (0..999)
>>CI	M	Cell Identity, length 28 bits.
>PhysCellId	M	Physical Cell ID, range: (0..503)
>TrackingAreaCode	M	Tracking Area Code, length 16 bits

>RSRPResult	O	Reference Signal Received Power, range: (0..97)
>RSRQResult	O	Reference Signal Received Quality, range: (0..34)
>TA	O	Currently used Timing Advance value, range: (0..1282) ( $N_{TA}/16$ as per [3GPP TS 36.213]).
>Measured Results List EUTRA	O	Network Measurement Report for LTE ([3GPP LTE]).
>>PhysCellId	M	Physical Cell ID, range: (0..503)
>>cgi-Info	O	
>>>CellGlobalIdEUTRA	M	
>>>TrackingAreaCode	M	Tracking Area Code, length 16 bits
>>MeasResult	M	
>>>RSRPResult	O	Reference Signal Received Power, range: (0..97)
>>>RSRQResult	O	Reference Signal Received Quality, range: (0..34)
>>EARFCN	CV	This parameter represents E-UTRA ARFCN. This parameter is conditional and must be sent if cgi-Info is not present. If the cgi-Info is present, this parameter may be sent. If the above conditions for sending this parameter are met but the value of E-UTRA ARFCN is greater than 65535, this parameter SHALL be set to 65535. EARFCN, range: (0..65535)
>>EARFCN-EXT	CV	If the parameter EARFCN (immediately above) is sent and the value of E-UTRA ARFCN is > 65535, then this parameter SHALL be sent and set to the value of E-UTRA ARFCN. EARFCN-EXT, range: (65536..262143)
>EARFCN	O	This parameter represents E-UTRA ARFCN. This parameter is optional. If the value of E-UTRA ARFCN is > 65535 then this parameter SHALL be set to 65535. EARFCN, range: (0..65535)
>EARFCN-EXT	CV	If the parameter EARFCN (immediately above) is sent and the value of E-UTRA ARFCN is > 65535, then this parameter SHALL be sent and set to the value of E-UTRA ARFCN.

		EARFCN-EXT, range: (65536..262143)
--	--	---------------------------------------

Table 24: LTE Cell Info

## 12.5.4 CDMA Cell Info

The cdmaCell parameter defines the parameter of a CDMA radio cell.

Parameter	Presence	Value/Description
Cdma Cell Info	-	CDMA Cell ID
>NID	M	Network ID, range: (0..65535)
>SID	M	System ID, range: (0..32767)
>BASEID	M	Base Station ID, range: (0..65535)
>BASELAT	M	Base Station Latitude, range: (0..4194303)
>BASELONG	M	Base Station Longitude, range: (0..8388607)
>REFPN	M	Base Station PN Number, range: (0..511) This parameter is conditional and only used for 1x in which case it is mandatory.
>WeekNumber	M	GPS Week number, range: (0..65535)
>Seconds	M	GPS Seconds, range: (0..4194303)

Table 25: CDMA Cell Info

## 12.5.5 HRPD Cell Info

The HRPD Cell Info parameter defines the parameter of a HRPD radio cell [3GPP2 HRPD].

Parameter	Presence	Value/Description
Hrpd Cell Info	-	HRPD Cell ID
>SECTORID	M	Sector ID, length 128 bits
>BASELAT	M	Base Station Latitude, range: (0..4194303)
>BASELONG	M	Base Station Longitude, range: (0..8388607)
>WeekNumber	M	GPS Week number, range: (0..65535)
>Seconds	M	GPS Seconds, range: (0..4194303)

Table 26: HRPD Cell Info

## 12.5.6 UMB Cell Info

The UMB Cell Info parameter defines the parameter of a UMB radio cell [3GPP2 UMB].

Parameter	Presence	Value/Description
Umb Cell Info	-	UMB Cell ID
>SECTORID	M	Sector ID, length 128 bits

>MCC	M	Mobile Country Code, range: (0..999)
>MNC	M	Mobile Network Code, range: (0..999)
>BASELAT	M	Base Station Latitude, range: (0..4194303)
>BASELONG	M	Base Station Longitude, range: (0..8388607)
>WeekNumber	M	GPS Week number, range: (0..65535)
>Seconds	M	GPS Seconds, range: (0..4194303)

Table 27: UMB Cell Info

## 12.5.7 WLAN AP Info

The WLAN AP Info parameter defines the parameters of a WLAN access point [IEEE 802.11].

Parameter	Presence	Value/Description
WLAN AP Info	-	WLAN Access Point ID
>AP MAC Address	M	Access Point MAC Address
>AP Transmit Power	O	AP Transmit power in dBm
>AP Antenna Gain	O	AP antenna gain in dBi
>AP S/N	O	AP Signal to Noise of a beacon, probe response or measurement pilot frame received at the SET in dB
> Device Type	O	Options are: 802.11a, 802.11b, 802.11g, 802.11n, 802.11ac and 802.11ad device. Future networks are permitted. Note: the device type refers to the type being used for signalling as opposed to the capability of the AP (e.g., an 802.11n capable AP in e.g., 802.11a signalling mode).
>AP Signal Strength	O	AP signal strength of a beacon, probe response or measurement pilot frame received at the SET in dBm. Range: (-127..128)
>AP Channel/Frequency	O	AP channel number of the reported WLAN AP
>Round Trip Delay	O	Round Trip Delay (RTD) between the SET and AP
>>RTD Value	M	Measured RTD value
>>RTD Units	M	Units for RTD value and RTD accuracy – 0.1, 1, 10, 100 or 1000 nanoseconds
>>RTD Accuracy	O	RTD standard deviation in relative units
>SET Transmit Power	O	SET Transmit power in dBm
>SET Antenna Gain	O	SET antenna gain in dBi
>SET S/N	O	SET Signal to Noise received at the AP in dB
>SET Signal Strength	O	SET signal strength received at the AP in dBm



<b>&gt;AP Reported Location</b>	O	Location of the Access Point as reported by the AP. This parameter presents the AP's reported location using legacy encoding (this parameter is now deprecated).
<b>&gt;AP Rep Location</b>	O	This parameter represents the AP's Location: <ul style="list-style-type: none"> <li>- As defined in [IEEE 802.11] and [RFC 3825]</li> <li>- Future formats</li> </ul> (Future formats may be supported as they become available).
<b>&gt;AP Signal Strength Delta</b>	CV	This parameter is conditional and may be used if the AP Signal Strength IE is used. Otherwise this parameter MUST NOT be used.  Range: INTEGER (0..1) Units: 0.5 dB  This parameter is used when the AP Signal Strength resolution is 0.5 dB (as opposed to 1.0 dB when this parameter is not used). The AP Signal Strength is then: (AP Signal Strength + AP Signal Strength Delta).
<b>&gt;AP S/N Delta</b>	CV	This parameter is conditional and may be used if the AP S/N IE is used. Otherwise this parameter MUST NOT be used.  Range: INTEGER (0..1) Units: 0.5 dB  This parameter is used when the AP S/N resolution is 0.5 dB (as opposed to 1.0 dB when this parameter is not used). The AP S/N is then: (AP S/N + AP S/N Delta).
<b>&gt;SET Signal Strength Delta</b>	CV	This parameter is conditional and may be used if the SET Signal Strength IE is used. Otherwise this parameter MUST NOT be used.  Range: INTEGER (0..1) Units: 0.5 dB  This parameter is used when the SET Signal Strength resolution is 0.5 dB (as opposed to 1.0 dB when this

		parameter is not used). The SET Signal Strength is then: (SET Signal Strength + SET Signal Strength Delta).
>SET S/N Delta	CV	<p>This parameter is conditional and may be used if the SET S/N IE is used. Otherwise this parameter MUST NOT be used.</p> <p>Range: INTEGER (0..1) Units: 0.5 dB</p> <p>This parameter is used when the SET S/N resolution is 0.5 dB (as opposed to 1.0 dB when this parameter is not used). The SET S/N is then: (SET S/N + SET S/N Delta).</p>
>Operating Class	O	Operating Class as defined in [IEEE 802.11]
>AP SSID	O	SSID of the wireless network served by the AP
>AP PHY Type	O	<p>This field provides the IEEE 802.11 PHY and media type. The enumerated values are as follows:</p> <ul style="list-style-type: none"> <li>• Unknown: specifies an unknown or uninitialized PHY type.</li> <li>• Any: specifies any PHY type.</li> <li>• Fhss: specifies a frequency-hopping spread-spectrum (FHSS) PHY.</li> <li>• Dsss: specifies a direct sequence spread spectrum (DSSS) PHY type.</li> <li>• Irbaseband: specifies an infrared (IR) baseband PHY type.</li> <li>• Ofdm: specifies an orthogonal frequency division multiplexing (OFDM) PHY type.</li> <li>• Hrdsss: specifies a high-rate DSSS (HRDSSS) PHY type.</li> <li>• Erp: specifies an extended rate PHY type (ERP).</li> <li>• Ht: specifies the 802.11n PHY type.</li> <li>• Ihv: specifies a PHY type that is developed by an independent hardware vendor (IHV).</li> </ul>

Table 28: WLAN AP Info

## 12.5.8 WiMAX BS Info

The WiMAX BS Info parameter defines the parameters of a WiMAX base station [IEEE 802.16-2004] and [IEEE 802.16e-2005].

Parameter	Presence	Value/Description
<b>WiMAX BS Info</b>	-	WiMAX Base Station Info
<b>&gt;BS ID</b>	M	Base Station Identifier Bit string of fix length of 48
<b>&gt;RTD measurement</b>	O	Round Trip Delay (RTD) or relative RTD measurement between the SET and the serving BS
<b>&gt;&gt;Round Trip Delay</b>	M	Round Trip Delay (RTD) between the SET and the serving BS in units of 10 ns Range (0 .. 65535)
<b>&gt;&gt;Round Trip Delay Uncertainty</b>	O	Standard deviation of the Round Trip Delay measurement in units of 10 ns Range (0 .. 1023)
<b>&gt;WiMAX NMR List</b>	O	WiMAX network measurements. Repeated 1-32 times.
<b>&gt;&gt; BS ID</b>	M	Base Station for the serving and neighboring cell measurement. Bit string of fixed length of 48
<b>&gt;&gt; Relative Delay</b>	O	Relative Delay between the SET and the neighboring BS in units of 10 ns. Not applicable for the serving BS. Range (-32768..32767)
<b>&gt;&gt; Relative Delay uncertainty</b>	O	Relative Delay uncertainty in units of 10 ns. Range (0 .. 1023)
<b>&gt;&gt;BS Signal Strength</b>	O	BS signal strength received at the SET in dBm Range (0 .. 255)
<b>&gt;&gt;BS Signal Strength Uncertainty</b>	O	Standard deviation of BS signal strength received at the SET in dB Range (0 .. 63)
<b>&gt;&gt;BS Tx Power</b>	O	BS equivalent isotropic transmit power Range (0 .. 255)
<b>&gt;&gt;BS CINR</b>	O	BS Carrier to Noise and Interference Ratio as received at the SET in dB Range (0 .. 255)
<b>&gt;&gt;BS CINR Uncertainty</b>	O	Standard deviation of BS Carrier to Noise and Interference Ratio as received at the SET in dB Range (0 .. 63)
<b>&gt;&gt; BS Location</b>	O	Location of the BS as reported by the BS
<b>&gt;&gt;&gt;Location Encoding</b>	M	Location encoding description <ul style="list-style-type: none"> <li>- LCI as per [RFC 3825]</li> <li>- ASN.1 as per [X.694]</li> </ul>

>>>>Location Data	M	Location Data
>>>>Location Accuracy	O	Location Accuracy in units of 0.1m Integer (0..4294967295)
>>>>Location Value	M	Location value in the format defined in Location Encoding Octet string of fix length of 128

Table 29: WiMAX BS Info

## 12.6 Position

Parameter	Presence	Values/description
<b>Position</b>	-	This parameter describes the position of the SET. The parameter also contains a timestamp and optionally the velocity.
> <b>Timestamp</b>	M	Time when position fix was calculated.
> <b>Position Estimate</b>	M	
>> <b>Sign of latitude</b>	M	Indicates North or South.
>> <b>Latitude</b>	M	Integer ( $0..2^{23}-1$ ). The latitude encoded value (N) is derived from the actual latitude X in degrees ( $0^\circ..90^\circ$ ) by this formula: $N \leq 2^{23} X / 90 < N+1$
>> <b>Longitude</b>	M	Integer ( $-2^{23}..2^{23}-1$ ). The longitude encoded value (N) is derived from the actual longitude X in degrees ( $-180^\circ..+180^\circ$ ) by this formula: $N \leq 2^{24} X / 360 < N+1$
>> <b>Uncertainty ellipse (semi major, semi minor, major axis)</b>	O	Contains the latitude/longitude uncertainty code associated with the major axis, and the uncertainty code associated with the minor axis and the orientation, in degrees, of the major axis with respect to the North. For the correspondence between the latitude/longitude uncertainty code and meters refer to [3GPP GAD] for details.
>> <b>Confidence</b>	O	Represents the confidence by which the position of a target entity is known to be within the shape description (i.e., uncertainty ellipse for 2D-description, uncertainty ellipsoid for 3D-description) and is expressed as a percentage. This is an integer ( $0..100$ ).
>> <b>Altitude information</b>	O	Shall be present for a 3D position information; it shall remain absent for 2D position information.
>>> <b>Altitude direction</b>	M	Indicates height (above the WGS84 ellipsoid) or depth (below the WGS84 ellipsoid).
>>> <b>Altitude</b>	M	Provides altitude information in meters. Integer ( $0..2^{15}-1$ ). Refer to [3GPP GAD] for details
>>> <b>Altitude uncertainty</b>	M	Contains the altitude uncertainty code. Refer to [3GPP GAD] for details
> <b>Velocity</b>	O	Speed and bearing values as defined by the Velocity type and as defined in [3GPP GAD]

**Table 30: Position Parameter**

The definition and coding of the position estimate parameter (ellipsoid point with altitude, uncertainty ellipse and altitude uncertainty) is based on [3GPP GAD]. The Datum used for all positions are WGS-84.

## 12.7 Trigger Params

Parameter	Presence	Values/description
Trigger Type	M	This parameter can be of type <ul style="list-style-type: none"> <li>Periodic</li> <li>Area Event</li> </ul>
Periodic Trigger Parameters	O	Periodic Trigger Parameters: <ul style="list-style-type: none"> <li>Number of fixes</li> <li>Interval between fixes</li> <li>Start time</li> </ul>

**Table 31: Trigger Parameter**

## 12.8 SPC\_SET\_Key

Parameter	Presence	Values/description
SPC_SET_Key	-	This parameter defines the authentication key used by the SET for H/V-SPC authentication.

**Table 32: SPC\_SET\_Key Parameter**

## 12.9 SPC-TID

Parameter	Presence	Values/description
SPC-TID	-	This parameter defines the transaction ID used for H/V-SPC authentication: <ul style="list-style-type: none"> <li>RAND (random number)</li> <li>SLP FQDN (FQDN of the H-SLP).</li> </ul>

**Table 33: SPC-TID Parameter**

## 12.10 SPC\_SET\_Key\_lifetime

Parameter	Presence	Values/description
SPC_SET_Key_lifetime	-	This parameter defines the lifetime of SPC_SET_Key. This parameter is optional. If not present, a default value of 24 hours is assumed. The units are in hours and the range is from 1 to 24 hours.

**Table 34: SPC\_SET\_Key\_lifetime Parameter**

## 12.11 QoP

Parameter	Presence	Values/description
QoP	-	Describes the desired Quality of Position
>Horizontal accuracy	M	Horizontal accuracy as defined in [3GPP GAD] (section 6.2 Uncertainty)
>Vertical accuracy	O	Vertical accuracy as defined in [3GPP GAD] (section 6.4 Uncertainty Altitude)
> Maximum Location Age	O	Maximum tolerable age of position estimates used for cached position fixes. Units in seconds from 0 to 65535.
>Delay	O	Values as defined for element Response Time in 3GPP TS 44.031 [3GPP RRLP]: 2^N, N from (0..7), unit is seconds

Table 35: QoP Parameter

## 12.12 SPC Status Code

Parameter	Presence	Values/description
SPC Status Code	-	This parameter is only required in the response of the SPC to the SLC and defines the operational status of the SPC.
>SPC Status Code values	M	The Status Code can assume the following values:  operational(0), not_operational(1), reduced_availability(2)

Table 36: Status Code Parameter

## 12.13 Number of Fix

Parameter	Presence	Values/description
Number of Fix	-	Defines the fix number within a triggered session.

Table 37: Number of Fix Parameter

## 12.14 SET Capabilities

Parameter	Presence	Values/description
SET capabilities	-	SET capabilities (not mutually exclusive) in terms of supported positioning technologies and positioning protocols.
>Pos Technology	M	Defines the positioning technology. Zero or more of the following positioning

		<p>technologies (including those listed in the optional GANSS Position Methods structure):</p> <ul style="list-style-type: none"> <li>• SET-assisted A-GPS</li> <li>• SET-based A-GPS</li> <li>• Autonomous GPS</li> <li>• AFLT</li> <li>• E-CID</li> <li>• E-OTD</li> <li>• OTDOA</li> </ul> <p>Note. The E-CID bit SHALL be set only when TA and/or NMR information or Pathloss information is provided within the Location ID IE.</p>
>>GANSS Position Methods	O	<p>Defines the supported GANSS (i.e. other than A-GPS). If included, this parameter is repeated for each supported GANSS. In addition, in the case of SBAS the parameter is repeated for each supported SBAS.</p>
>>>GANSS ID	M	<p>Defines the GANSS. Integer (0..15)</p> <p>0: Galileo                      1: SBAS                      2: Modernized GPS                      3: QZSS                      4: GLONASS                      5: BDS</p> <p>6-15: Reserved for future use</p>
>>>SBAS ID	CV	<p>Present if GANSS ID indicates SBAS. Bit string interpreted as:</p> <p>000: WAAS                      001: EGNOS                      010: MSAS                      011: GAGAN</p>
>>>GANSS Positioning Modes	M	<p>Bitmap defining the supported modes for GNSS indicated by GANSS ID.</p> <p>Bit 0: SET Assisted                      Bit 1: SET Based                      Bit 2: Autonomous</p>
>>>GANSS Signals	M	<p>Bitmap (length 8 bits) defining the supported signals for GNSS indicated by GANSS ID.</p> <p>For Galileo, the bits are interpreted as :</p> <p>Bit 0: E1                      Bit 1: E5a                      Bit 2: E5b                      Bit 3: E5a+E5b                      Bit 4: E6                      Bits 5-7: Spare</p>



		<p>For Modernized GPS, the bits are interpreted as:                      Bit 1: L1 C                      Bit 2: L2 C                      Bit 3: L5                      Bits 0, 4-7: Spare</p> <p>For QZSS, the bits are interpreted as:                      Bit 0: L1 C/A                      Bit 1: L1 C                      Bit 2: L2 C                      Bit 3: L5                      Bits 4-7: Spare</p> <p>For GLONASS, the bits are interpreted as:                      Bit 0: G1                      Bit 1: G2                      Bit 2: G3                      Bits 3-7: Spare</p> <p>For SBAS, the bits are interpreted as:                      Bit 0: L1                      Bits 1-7: Spare</p> <p>For BDS, the bits are interpreted as:                      Bit 0: B1I                      Bits 1-7: Spare</p>
>Pref Method	M	<p>One of the following preferred modes:</p> <ul style="list-style-type: none"> <li>• A-GNSS SET-assisted preferred</li> <li>• A-GNSS SET-based preferred</li> <li>• No preferred mode</li> </ul>
>Pos Protocol	M	<p>Zero or more of the following positioning protocols (bitmap):</p> <ul style="list-style-type: none"> <li>• RRLP</li> <li>• RRC</li> <li>• TIA-801</li> <li>• LPP</li> <li>• LPPe</li> </ul>
>>Pos Protocol Version RRLP	CV	Describes the protocol version of RRLP Positioning Protocol.
>>>Major Version Field	M	First (most significant) element of the version number for RRLP, range: (0..255)
>>> Technical Version Field	M	Second element of the version number for RRLP, range: (0..255)
>>>Editorial Version Field	M	Third (least significant) element of the version number for RRLP, range: (0..255)
>>Pos Protocol Version RRC	CV	Describes the protocol version of RRC Positioning Protocol.

		It is required if RRC is identified in the Pos Protocol parameter.
>>>Major Version Field	M	First (most significant) element of the version number for RRC, range: (0..255)
>>> Technical Version Field	M	Second element of the version number, range: (0..255)
>>>Editorial Version Field	M	Third (least significant) element of the version number for RRC, range: (0..255)
>>Pos Protocol Version TIA-801	CV	Describes the protocol version of TIA-801 Positioning Protocol. It is required if TIA-801 is identified in the Pos Protocol parameter.
>>>Supported Pos Protocol Version TIA-801	M	Specifies a list of up to 8 different supported 3GPP2 C.S0022 versions. This parameter is required (with at least one entry in the list) if TIA-801 is identified in the Pos Protocol parameter.
>>>>Revision Number	M	Revision part of document number for the specifications of C.S0022 Functioning Protocol. Value: [0,A-Z]
>>>>Point Release Number	M	Point Release number for C.S0022, range: (0..255).
>>>> Internal Edit Level	M	Internal Edit Level for C.S0022, range: (0..255).
>>Pos Protocol Version LPP	CV	Describes the protocol version of LPP Positioning Protocol. It is required if LPP is identified in the Pos Protocol parameter.
>>>Major Version Field	M	First (most significant) element of the version number for LPP Positioning Protocol, range: (0..255)
>>>Technical Version Field	M	Second element of the version number for LPP Positioning Protocol, range: (0..255)
>>>Editorial Version Field	M	Third (least significant) element of the version number for LPP Positioning Protocol, range: (0..255)
>>Pos Protocol Version LPPe	CV	Describes the protocol version of LPPe Positioning Protocol. It is required if LPPe is identified in the Pos Protocol parameter.
>>>Major Version Field	M	First (most significant) element of the version number for LPPe Positioning Protocol, range: (0..255)
>>>Minor Version Field	M	Second element of the version number for LPPe Positioning Protocol, range: (0..255)
> supported bearers	O	This parameter indicates which bearers the SET supports. Note that each bearer in this list must be supported by the SET, but not all at the same time.  The parameter indicates support for one or more of the following:

		<ul style="list-style-type: none"> <li>• GSM</li> <li>• WCDMA/TD-SCDMA</li> <li>• CDMA</li> <li>• HRPD</li> <li>• UMB</li> <li>• LTE</li> <li>• WLAN</li> <li>• WiMAX</li> </ul>
--	--	--

Table 38: SET Capabilities Parameter

## 12.15 Requested Assistance Data

Parameter	Presence	Values/description
<b>Requested assistance data</b>	-	<p>This parameter is applicable to A-GPS positioning methods only. It describes the requested A-GPS assistance data in the form of a bitmap:</p> <ul style="list-style-type: none"> <li>• Almanac indicator</li> <li>• UTC model</li> <li>• Ionospheric model</li> <li>• DGPS corrections</li> <li>• Reference location</li> <li>• Reference time</li> <li>• Acquisition assistance</li> <li>• Real-time integrity</li> <li>• Navigation model</li> </ul> <p>Note: Reference location Bit is used for requesting Reference Location also for GANSS.</p>
<b>Navigation Model</b>	CV	When the navigation model indicator is set, this field is present.
<b>&gt;GPS week</b>	M	Contains the GPS week of the assistance data currently held in the SET; range is 0 to 1023
<b>&gt;GPS Toe</b>	M	Contains the GPS time of Ephemeris in hours of the newest set of Ephemeris contained in the SET; range is 0 to 167
<b>&gt;NSAT</b>	M	Contains the number of satellites to be considered for the current GPS assistance data request (number of satellites for which

		ephemeris data is available in the SET); range is 0 to 31. If the SET has no ephemeris data, this field SHALL be set to zero. If the SET has ephemeris data whose age exceeds the T-Toe limit, this field may be set to zero. If the network receives a zero value for this field, it shall ignore the GPS week and GPS Toe fields and assume that the SET has no ephemeris data
>T-Toe limit	M	Contains the Ephemeris age tolerance of the SET to the network in hours; range is 0 to 10
>Satellite information	CV	Present if NSAT > 0, repeated NSAT times
>>SatId	M	Identifies the satellite and is equal to (SV ID No-1) where SV ID No is defined in ICD-GPS-200C. Range is 0 to 63
>>IODE	M	Represents the satellite sequence number, range is 0 to 255
GANSS Requested Common Assistance Data	O	
>GANSS Reference Time	M	GANSS reference time. Boolean, "true" if requested, "false" otherwise.
>GANSS Ionospheric model	M	GANSS Ionospheric model. Boolean, "true" if requested, "false" otherwise.
>GANSS Additional Ionospheric Model for Data ID='00'	M	GANSS Ionospheric model, see [3GPP 49.031] for further information on Data ID
>GANSS Additional Ionospheric Model for Data ID='11'	M	GANSS Ionospheric model, see [3GPP 49.031] for further information on Data ID
>GANSS Additional Ionospheric Model for Data ID='01'	M	GANSS Ionospheric model. The value '01' indicates that the parameters have been generated by BDS.
>GANSS Earth-Orientation Parameters	M	Earth-Orientation Parameters for precise coordinate transformations
GANSS Requested Generic Assistance Data	O	Generic data requested for GANSS. If included, this parameter is repeated for each GANSS the assistance data is requested. In addition, in the case of SBAS this parameter is repeated for each SBAS the assistance data is requested.
>GANSS ID	M	Defines the GANSS for which the assistance data is requested. 0: Galileo 1: SBAS 2: Modernized GPS 3: QZSS 4: GLONASS 5: BDS

		6-15: Reserved for future use
> SBAS ID	CV	Present if GANSS ID indicates SBAS. Bit String interpreted as: 000: WAAS 001: EGNOS 010: MSAS 011: GAGAN
>GANSS Real-Time Integrity	M	Real Time integrity requested for a particular GANSS. Boolean, "true" if requested, "false" otherwise.
>DGANSS Differential Corrections	O	If present, differential corrections are requested. Bitmap (length 8 bits) defining for which signals the corrections are requested. For Galileo, the bits are interpreted as: Bit 0: E1 Bit 1: E5a Bit 2: E5b Bit 3: E6 4-7: spare For Modernized GPS, the bits are interpreted as: Bit 0: L1 C Bit 1: L2 C Bit 2: L5 Bits 3-7: Spare For QZSS, the bits are interpreted as: Bit 0: L1 C/A Bit 1: L1 C Bit 2: L2 C Bit 3: L5 Bits 4-7: Spare For GLONASS, the bits are interpreted as: Bit 0: G1 Bit 1: G2 Bit 2: G3 Bits 3-7: Spare For SBAS, the bits are interpreted as: Bit 0: L1 Bits 1-7: Spare For BDS, the bits are interpreted as: Bit 0: B1I Bits 1-7: Spare
>GANSS Almanac	M	GANSS Almanacs for the particular GANSS Id. Boolean, "true" if requested, "false" otherwise. If GANSS ID indicates modernized GPS or QZSS and Almanac Model ID is not included in GANSS Additional Assistance Data Choices, this bit shall be interpreted as Model-4 for

		modernized GPS and as Model-2 for QZSS, defined in Table A.54 of [3GPP RRLP].
>GANSS Navigation Model	O	If present, GANSS navigation models are requested
>>GANSS Week or Day	M	Week or Day number of the assistance data currently held in the SET. If GANSS ID does not indicate GLONASS this field is expressed in GANSS weeks. Range is 0 to 4095. If GANSS ID indicates GLONASS this field is expressed in days as defined in [3GPP 49.031].
>>GANSS_Toe	M	Time-of-Ephemeris of the assistance data currently held in the SET, If GANSS ID does not indicate GLONASS this field is expressed in hours. Range is 0 to 167. If GANSS ID indicates GLONASS Toe is expressed in units of 15 minutes. Range then is 0 to 95 (0 to 1425 minutes).
>>T-Toe limit	M	Ephemeris age tolerance of the UE to network. If GANSS ID does not indicate GLONASS this field is expressed in hours. Range is 0 to 10. If GANSS ID indicates GLONASS Toe is expressed in units of 30 minutes. Range then is 0 to 15 (0 to 450 minutes).
>>>Satellites list related data	O	Information of the satellites for which the ephemeris data is available in SET.
>>>>SatID	M	Identifies the satellite for which assistance is requested and is interpreted as in table A.10.14 in [3GPP RRLP].
>>>>IOD	M	Issue of Data for SatID as defined in table A.48.2 in [3GPP RRLP].
>GANSS Time Model GNSS-GNSS	O	If present, time models to convert reference system time to GNSS system time are requested. Reference system is indicated by GANSS ID. Bitmap (length 16 bits) defining GNSS system for which GNSS the time models are requested: 0: GPS 1: Galileo 2: QZSS 3: GLONASS 4: BDS Bits 5-15: spare.
>GANSS Reference Measurement Information	M	Boolean value. If set to true, reference code and Doppler measurement information of satellites of a GANSS constellation are requested.
>GANSS data bits	O	Request Bit stream of GANSS

>>GANSS TOD minute	M	The reference time modulo 60 s of the first data bit of the requested data in integer seconds in GNSS specific system time of the GNSS indicated by GANSS ID.
>>Data bit assistance	M	
>>>GANSS Signal	M	<p>Bitmap (length 8 bits) defining the supported signals for GNSS indicated by GANSS ID.</p> <p>For Galileo, bits are interpreted as :</p> <p>Bit 0: E1            Bit 1: E5a            Bit 2: E5b            Bit 3: E5a+E5b            Bit 4: E6            Bits 5-7: Spare</p> <p>For Modernized GPS, the bits are interpreted as:</p> <p>Bit 0: L1 C            Bit 1: L2 C            Bit 2: L5            Bits 3-7: Spare</p> <p>For QZSS, the bits are interpreted as:</p> <p>Bit 0: L1 C/A            Bit 1: L1 C            Bit 2: L2 C            Bit 3: L5            Bits 4-7: Spare</p> <p>For GLONASS, the bits are interpreted as:</p> <p>Bit 0: G1            Bit 1: G2            Bit 2: G3            Bits 3-7: Spare</p> <p>For SBAS, the bits are interpreted as:</p> <p>Bit 0: L1            Bits 1-7: Spare</p> <p>For BDS, the bits are interpreted as:</p> <p>Bit 0: B1I            Bits 1-7: Spare</p>
>>>GANSS Data Bit Interval	M	<p>This field represents the time length for which the Data Bit Assistance is requested. The Data Bit Assistance shall be relative to the time interval (GANSS TOD, GANSS TOD + Data Bit Interval).</p> <p>The Data Bit Interval <math>r</math>, expressed in seconds, is mapped to a binary number <math>K</math> with the following formula:</p> $r = 0.1 * 2^K$ <p>Value <math>K=15</math> means that the time interval is</p>

		not specified.
>>>Satellite Information	O	This parameter may be included to indicate a list of satellites (up to 64) for which the Data Bit Assistance Request is applicable
>>>>SatID	M	Identifies the satellite and is equal to (SV ID No - 1).
>GANSS UTC model	M	UTC model requested. Boolean, "true" if required, "false" otherwise. If GANSS ID indicates QZSS and UTC Model ID in GANSS Additional Assistance Data Choices is not included, this bit shall be interpreted as Model-1 as defined in Table A.55 of [3GPP RRLP].
>GANSS Additional Data Choices	O	If present, some GANSS Additional Assistance Data is requested.
>> Orbit Model ID	O	ID as defined in A.49.2 of [3GPP RRLP]. Missing field indicates request for the native model.
>> Clock Model ID	O	ID as defined in A.49.1 of [3GPP RRLP]. Missing field indicates request for the native model.
>>>UTC Model ID	O	ID as defined in A.55/A.55.17 of [3GPP RRLP]. Missing field indicates request for the native model.
>>Almanac Model ID	O	ID as defined in A.54 of [3GPP RRLP]. Missing field indicates request for the native model.
>GANSS Auxiliary Information	O	GANSS Auxiliary Information including signal availability for SVs and GLONASS frequency assignments requested.
>GANSS Extended Ephemeris	O	
>>Validity	M	Requested validity period for Extended ephemeris in steps of four hours
> GANSS Extended Ephemeris Check	O	See [3GPP 49.031] for further information on this field.
>Begin Time	M	Begin time of the Extended ephemeris currently held by the SET
>End Time	M	End time of the Extended ephemeris currently held by the SET
>BDS-Differential-Corrections	CV	This parameter is conditional and MAY be used if GANSS-ID = 5 (BDS). Otherwise this parameter MUST NOT be used. If present, differential corrections are requested. Bitmap (length 8 bits) defining for which signals the corrections are requested. The bits are interpreted as: Bit 0: B II <b>Bits 1-7: Spare</b>
>BDS-GridModel	CV	This parameter is conditional and MAY be



		used if GANSS-ID = 5 (BDS). Otherwise this parameter MUST NOT be used. <b>Boolean, “true” if requested, “false” otherwise.</b>
GPS Extended Ephemeris	O	
>Validity Hours	M	Requested validity period for Extended ephemeris in steps of four hours
GPS Extended Ephemeris Check	O	See [3GPP 49.031] for further information on this field.
>Begin Time	M	Begin time of the Extended ephemeris currently held by the SET
>End Time	M	End time of the Extended ephemeris currently held by the SET

Table 39: Requested Assistance Data Parameter

## 12.16 Positioning Payload

Parameter	Presence	Values/description
Positioning payload	-	<p>Describes the positioning payload for TIA-801 [TIA-801], RRLP [3GPP RRLP], RRC [3GPP RRC] and LPP/LPPE [3GPP LPP]/[OMA-LPPE].</p> <p>The restrictions of maximum PDU size as specified in Section 2.1 of [3GPP RRLP] (242 octets) does not apply. If the size for "rrlpPayload" exceeds 65535 bits, pseudo segmentation according to [3GPP RRLP] SHALL be used.</p> <p>Up to three LPP/LPPE messages and/or up to three TIA801 messages are allowed to be sent in a single Positioning Payload IE.</p>

Table 40: Positioning Payload Parameter

## 12.17 Multiple Location IDs

Parameter	Presence	Values/description
Multiple Location IDs	-	This parameter contains a set of up to MaxLidSize(64) Location ID/Relative Timestamp/Serving Cell Flag data. If Relative Timestamp is present, the associated Location ID represents historical data; if Relative Timestamp is absent, the Location ID represents current data.
>Location ID	M	Describes measured globally unique cell/WLAN AP/WiMAX BS identification of the serving cell/WLAN AP/WiMAX BS or cell/WLAN AP/WiMAX BS identification from any receivable radio network.

		If this information is historical, the Relative Timestamp parameter must be present. If this data is current, the Relative Timestamp parameter need not be present.
>Relative Timestamp	CV	Time stamp of measured location Id relative to “current Location ID” in units of 0.01 sec. Range from 0 to 65535*0.01 sec. Time stamp for current Location Id if present is 0.
>Serving Cell Flag	M	This flag indicates whether the Location ID data represents a serving cell, WLAN AP or WiMAX BS or idle (i.e. camped-on) cell or WLAN AP. If set, the Location ID information represents serving cell,WLAN AP or WiMAX BS information; if not set, the Location ID information represents idle mode information or neighbor cell ,WLAN AP or WiMAX BS information.

Table 41: Multiple Location ID Parameter

## 12.18 Velocity

Parameter	Presence	Values/description
Velocity	-	<p>Describes the velocity of the SET as per [3GPP GAD]. One of the following four formats are supported:</p> <ul style="list-style-type: none"> <li>• Horizontal Velocity                             <ul style="list-style-type: none"> <li>a. Bearing</li> <li>b. Horizontal speed</li> </ul> </li> <li>• Horizontal and Vertical Velocity                             <ul style="list-style-type: none"> <li>a. Vertical Direction</li> <li>b. Bearing</li> <li>c. Horizontal speed</li> <li>d. Vertical speed</li> </ul> </li> <li>• Horizontal Velocity Uncertainty                             <ul style="list-style-type: none"> <li>a. Bearing</li> <li>b. Horizontal speed</li> <li>c. Horizontal speed uncertainty</li> </ul> </li> <li>• Horizontal and Vertical Velocity Uncertainty                             <ul style="list-style-type: none"> <li>a. Vertical direction</li> <li>b. Bearing</li> <li>c. Horizontal speed</li> </ul> </li> </ul>

		<ul style="list-style-type: none"> <li>d. Vertical speed</li> <li>e. Horizontal speed uncertainty</li> <li>f. Vertical speed uncertainty</li> </ul>
--	--	---

Table 42: Velocity Parameter

## 12.19 UTRAN GPS Reference Time Result

Parameter	Presence	Value/Description
UTRAN GPS Reference Time Result	-	The UTRAN GPS Reference Time Result parameter describes the timing relationship between GPS time and WCDMA/TD-SCDMA cell frame timing as measured by the SET. This parameter is only applicable if the SET has sent current Location ID (lid) information.
>GPS Timing of Cell Frames	M	GPS Time of Week in units of 1/16 <sup>th</sup> UMTS chip [as per 10.3.7.93 3GPP RRC]. Range: (0..37158911999999)
>Mode	M	The Mode value is either: <ul style="list-style-type: none"> <li>• Primary CPICH Info for FDD [as per 10.3.6.60 3GPP RRC].</li> </ul> or: <ul style="list-style-type: none"> <li>• Cell Parameters Id for TDD [as per 10.3.6.9 3GPP</li> </ul>
>SFN	M	The SFN at which the SET timing of cell frames is captured. Range: (0..4095)
>GPS Reference Time Uncertainty	O	This element provides the accuracy of the provided relation between GPS and UTRAN time. If "GPS TOW" is the GPS time corresponding to the UTRAN time provided, then the true GPS time lies in the interval ["GPS TOW" - "GPS Reference Time Uncertainty", "GPS TOW" + "GPS Reference Time Uncertainty"]. The uncertainty <i>r</i> , expressed in microseconds, is mapped to a number <i>K</i> with the following formula: $r = C * (((1+x)^K) - 1)$ with <i>C</i> = 0.0022 and <i>x</i> = 0.18. To encode any higher value of the uncertainty than that corresponding to <i>K</i> =127 in the formula above, or to indicate an undefined value of the "GPS TOW", the same value, <i>K</i> =127, shall be used. [25.331 version 7.4.0]

Table 43: UTRAN GPS Reference Time Result

## 12.20 UTRAN GANSS Reference Time Result

Parameter	Presence	Value/Description
UTRAN GANSS Reference Time Result	-	The UTRAN GANSS Reference Time Result parameter describes the timing relationship between GANSS time and WCDMA/TD-SCDMA cell frame timing as measured by the SET. This parameter is only applicable if the SET has sent current Location ID (lid) information.
>GANSS Time ID	M	GANSS Time ID defines the satellite system used in UTRAN-GANSS time relation. 0: Galileo 1: QZSS 2: GLONASS 3: BDS Range: Enumerated(0..15) Values 4 – 15 reserved for future use.
>UE GANSS Timing of Cell Frames	M	UE GANSS timing of cell frames sub-second part of GANSS Time of Day [as per 10.3.7.93a 3GPP RRC]. Range: (0.. 8639999999750) by step of 250 ns
>Mode	M	The Mode value is either: <ul style="list-style-type: none"> <li>Primary CPICH Info for FDD [as per 10.3.6.60 3GPP RRC].</li> </ul> or: <ul style="list-style-type: none"> <li>Cell Parameters Id for TDD [as per 10.3.6.9 3GPP]</li> </ul>
>SFN	M	The SFN at which the SET timing of cell frames is captured. Range: (0..4095)
>GANSS TOD Uncertainty	O	Uncertainty of the relation GANSS Time of Day/SFN [as per 10.3.7.93a 3GPP RRC]. Range (0..127): The uncertainty $r$ , expressed in microseconds, is mapped to a number $K$ , with the following formula: $r = C * (((1+x)^K) - 1)$ , with $C = 0.0022$ and $x = 0.18$ . [as per 10.3.7.96a 3GPP RRC].

Table 44: UTRAN GANSS Reference Time Result

## 12.21 UTRAN GPS Reference Time Assistance

Parameter	Presence	Value/Description
UTRAN GPS Reference Time Assistance	-	The UTRAN GPS Reference Time Assistance parameter provides

		UTRAN to GPS timing relationship assistance data for the current serving cell of the SET. This parameter is only applicable if the Location ID (lid) information is current.
> UTRAN GPS Reference Time	M	The UTRAN GPS Reference Time parameter describes the timing relationship between GPS time and WCDMA/TD-SCDMA cell frame timing [as per 10.3.7.96 3GPP RRC].
>>GPS Timing of Cell Frames	M	UTRAN GPS timing of cell frames in steps of 1 UMTS chip [as per 10.3.7.96 3GPP RRC]. Range: (0..2322431999999)
>>Mode	O	The Mode value is either: <ul style="list-style-type: none"> <li>• Primary CPICH Info for FDD [as per 10.3.6.60 3GPP RRC].</li> </ul> or: <ul style="list-style-type: none"> <li>• Cell Parameters Id for TDD [as per 10.3.6.9 3GPP RRC]</li> </ul>
>>SFN	M	The SFN which the UTRAN GPS timing of cell frame time stamps. Range: (0..4095)
>GPS Reference Time Uncertainty	O	This element provides the accuracy of the provided relation between GPS and UTRAN time. If "GPS TOW" is the GPS time corresponding to the UTRAN time provided, then the true GPS time lies in the interval ["GPS TOW" - "GPS Reference Time Uncertainty", "GPS TOW" + "GPS Reference Time Uncertainty"]. The uncertainty <i>r</i> , expressed in microseconds, is mapped to a number <i>K</i> with the following formula: $r = C * (((1+x)^K) - 1)$ with <i>C</i> = 0.0022 and <i>x</i> = 0.18. To encode any higher value of the uncertainty than that corresponding to <i>K</i> =127 in the formula above, or to indicate an undefined value of the "GPS TOW", the same value, <i>K</i> =127, shall be used. [25.331 version 7.4.0]
>T <sub>UTRAN-GPS</sub> Drift Rate	O	Drift rate of UTRAN to GPS timing [as per 10.3.7.96 3GPP RRC]. Range (enumerated): -50, -25, -15, -10, -5, -2, -1, 0, 1, 2, 5, 10, 15, 25, 50 Units: 1/256 chips per sec.

Table 45: UTRAN GPS Reference Time Assistance

## 12.22 UTRAN GANSS Reference Time Assistance

Parameter	Presence	Value/Description
UTRAN GANSS Reference Time Assistance	-	The UTRAN GANSS Reference Time Assistance parameter provides UTRAN to GANSS timing relationship assistance data for the current serving cell of the SET. This parameter is only applicable if the Location ID (lid) information is current.
>GANSS Day	O	The number of days from the beginning of GANSS system time (mod 8192) [as per 10.3.7.96o 3GPP RRC].
>GANSS Time ID	M	GANSS Time ID defines the satellite system used in UTRAN-GANSS time relation. 0: Galileo 1: QZSS 2: GLONASS 3: BDS  Range: Enumerated(0..15) Values 4 – 15 reserved for future use.
> UTRAN GANSS Reference Time	M	The UTRAN GANSS Reference Time parameter describes the timing relationship between GANSS time and WCDMA/TD-SCDMA cell frame timing [as per 10.3.7.96o 3GPP RRC].
>>GANSS TOD	M	GANSS time of day in seconds. Range: (0..86399)
>>UTRAN GANSS Timing of Cell Frames	O	UTRAN GANSS timing of cell frames sub-second part of GANSS Time of Day [as per 10.3.7.96o 3GPP RRC]. Range: (0.. 999999750) by step of 250 ns
>>Mode	O	The Mode value is either: <ul style="list-style-type: none"> <li>Primary CPICH Info for FDD [as per 10.3.6.60 3GPP RRC].</li> </ul> or: <ul style="list-style-type: none"> <li>Cell Parameters Id for TDD [as per 10.3.6.9 3GPP RRC]</li> </ul>
>>SFN	M	The SFN which the UTRAN GANSS timing of cell frame time stamps. Range: (0..4095)
>>GANSS TOD Uncertainty	O	Uncertainty of the relation GANSS Time of Day/SFN [as per 10.3.7.96o 3GPP RRC]. Range (0..127): The uncertainty $r$ , expressed in microseconds, is mapped

		to a number K, with the following formula: $r = C * ((1+x)^K - 1)$ , with C = 0.0022 and x = 0.18. [as per 10.3.7.96a 3GPP RRC].
>T <sub>UTRAN-GANSS</sub> Drift Rate	O	Drift rate of UTRAN to GANSS timing [as per 10.3.7.96o 3GPP RRC]. Range (enumerated): -50, -25, -15, -10, -5, -2, -1, 0, 1, 2, 5, 10, 15, 25, 50 Units: ns per sec.

Table 46: UTRAN GANSS Reference Time Assistance

## 12.23 GNSS Positioning Technology

Parameter	Presence	Value/Description
GNSS Positioning Technology	-	<p>Bitmap of GNSS Positioning Technology. This bitmap indicates the GNSS used or to be used for the positioning computation.</p> <ul style="list-style-type: none"> <li>• GPS</li> <li>• Galileo</li> <li>• SBAS</li> <li>• Modernized GPS</li> <li>• QZSS</li> <li>• GLONASS</li> <li>• BDS</li> </ul> <p>When a Bit is set to FALSE: not used, when set to TRUE, used.</p> <p>Note that GPS SHALL not be the only bit set to TRUE.</p>

Table 47: GNSS Positioning Technology

## 12.24 Approved Positioning Methods

Parameter	Presence	Value/Description
Positioning Technology	-	<p>Defines the positioning technologies which the SLC has approved for the SPC.</p> <p>Zero or more of the following positioning technologies (bitmap and technologies listed in GANSS Position Methods structure):</p> <ul style="list-style-type: none"> <li>• SET-assisted A-GPS</li> <li>• SET-based A-GPS</li> <li>• Autonomous GPS</li> <li>• AFLT</li> </ul>

		<ul style="list-style-type: none"> <li>• E-CID</li> <li>• E-OTD</li> <li>• OTDOA</li> </ul>
<b>&gt;&gt;GANSS Position Methods</b>	O	Defines the supported GANSS (i.e. other than A-GPS). If included, this parameter is repeated for each supported GANSS
<b>&gt;&gt;&gt;GANSS ID</b>	M	<p>Defines the GANSS. Integer (0..15)</p> <p>0: Galileo                      1: SBAS                      2: Modernized GPS                      3: QZSS                      4: GLONASS                      5: BDS</p> <p>6-15: Reserved for future use</p>
<b>&gt;&gt;&gt;GANSS Positioning Modes</b>	M	<p>Bitmap defining the supported modes for GNSS indicated by GANSS ID.</p> <p>Bit 0: SET Assisted                      Bit 1: SET Based                      Bit 2: Autonomous</p>
<b>&gt;&gt;&gt;GANSS Signals</b>	M	<p>Bitmap (length 8 bits) defining the supported signals for GNSS indicated by GANSS ID.</p> <p>For Galileo, the bits are interpreted as :</p> <p>Bit 0: E1                      Bit 1: E5a                      Bit 2: E5b                      Bit 3: E5a+E5b                      Bit 4: E6                      Bits 5-7: Spare</p> <p>For Modernized GPS, the bits are interpreted as:</p> <p>Bit 1: L1 C                      Bit 2: L2 C                      Bit 3: L5                      Bits 0, 4-7: Spare</p> <p>For QZSS, the bits are interpreted as:</p> <p>Bit 0: L1 C/A                      Bit 1: L1 C                      Bit 2: L2 C                      Bit 3: L5                      Bits 4-7: Spare</p> <p>For GLONASS, the bits are</p>



		<p>interpreted as:                      Bit 0: G1                      Bit 1: G2                      Bit 2: G3                      Bits 3-7: Spare</p> <p>For SBAS, the bits are interpreted as:                      Bit 0: L1                      Bits 1-7: Spare</p> <p>For BDS, the bits are interpreted as:                      Bit 0: B1I                      Bits 1-7: Spare</p>
--	--	--

**Table 48: Approved Positioning Methods**

## 12.25 Supported Positioning Methods

Parameter	Presence	Value/Description
<b>Positioning Technology</b>	-	<p>Defines the positioning technologies which the SPC supports.</p> <p>Zero or more of the following positioning technologies (bitmap and technologies listed in GANSS Position Methods structure):</p> <ul style="list-style-type: none"> <li>• SET-assisted A-GPS</li> <li>• SET-based A-GPS</li> <li>• Autonomous GPS</li> <li>• AFLT</li> <li>• E-CID</li> <li>• E-OTD</li> <li>• OTDOA</li> </ul>
<b>&gt;&gt;GANSS Position Methods</b>	O	<p>Defines the supported GANSS (i.e. other than A-GPS). If included, this parameter is repeated for each supported GANSS</p>
<b>&gt;&gt;&gt;GANSS ID</b>	M	<p>Defines the GANSS. Integer (0..15)</p> <p>0: Galileo                      1: SBAS                      2: Modernized GPS                      3: QZSS                      4: GLONASS                      5: BDS</p> <p>6-15: Reserved for future use</p>
<b>&gt;&gt;&gt;&gt;GANSS Positioning</b>	M	<p>Bitmap defining the supported modes</p>

<b>Modes</b>		for GNSS indicated by GANSS ID. Bit 0: SET Assisted Bit 1: SET Based Bit 2: Autonomous
>>>GANSS Signals	M	Bitmap (length 8 bits) defining the supported signals for GNSS indicated by GANSS ID. For Galileo, the bits are interpreted as : Bit 0: E1 Bit 1: E5a Bit 2: E5b Bit 3: E5a+E5b Bit 4: E6 Bits 5-7: Spare  For Modernized GPS, the bits are interpreted as: Bit 1: L1 C Bit 2: L2 C Bit 3: L5 Bits 0, 4-7: Spare  For QZSS, the bits are interpreted as: Bit 0: L1 C/A Bit 1: L1 C Bit 2: L2 C Bit 3: L5 Bits 4-7: Spare  For GLONASS, the bits are interpreted as: Bit 0: G1 Bit 1: G2 Bit 2: G3 Bits 3-7: Spare  For SBAS, the bits are interpreted as: Bit 0: L1 Bits 1-7: Spare  For BDS, the bits are interpreted as: Bit 0: B1I Bits 1-7: Spare

Table 49: Supported Positioning Methods

## 12.26 Preferred Positioning Method

Parameter	Presence	Description
-----------	----------	-------------

<p><b>Position Method</b></p>	<p>-</p>	<p>Describes the positioning method:</p> <ul style="list-style-type: none"> <li>• A-GPS SET assisted only</li> <li>• A-GPS SET based only</li> <li>• A-GPS SET assisted preferred (A-GPS SET based is the fallback mode)</li> <li>• A-GPS SET based preferred (A-GPS SET assisted is the fallback mode)</li> <li>• A-GNSS SET Assisted only</li> <li>• A-GNSS SET Based only</li> <li>• A-GNSS SET Assisted preferred (A-GNSS SET Based is the fallback mode)</li> <li>• A-GNSS SET Based preferred (A-GNSS SET Assisted is the fallback mode)</li> <li>• Autonomous GPS</li> <li>• Autonomous GNSS</li> <li>• AFLT</li> <li>• Enhanced Cell/sector</li> <li>• EOTD</li> <li>• OTDOA</li> </ul> <p>In case of A-GNSS SET Based, A-GNSS SET Assisted, the GNSS Positioning Technology MUST be used to specify which GNSS is to be used. For Autonomous GNSS, the GNSS Positioning Technology MAY be used to specify which GNSS is to be used.</p>
-------------------------------	----------	--

Table 50: Preferred Positioning Method

## 12.27 Status Code

Parameter	Presence	Values/description
Status Code	-	This parameter is only required in the context of sending a position response or to terminate a SUPL session.
> Status Code values	O	<p>The Status Code can assume the following values:</p> <pre> unspecified(0), systemFailure(1), unexpectedMessage(2), protocolError(3), dataMissing(4), unexpectedDataValue(5), posMethodFailure(6), posMethodMismatch(7), posProtocolMismatch(8), targetSETnotReachable(9), versionNotSupported(10), resourceShortage(11), invalidSessionId(12), nonProxyModeNotSupported(13), proxyModeNotSupported(14), positioningNotPermitted(15), iLPTimeout(16) </pre>

Table 51: Status Code Parameter

## 13.ASN.1 Encoding of ILP messages (Normative)

This section defines the ILP messages and common elements with ASN.1 (Normative).

### 13.1 Common Part

```

ILP DEFINITIONS AUTOMATIC TAGS ::=
BEGIN

IMPORTS
  Version, SessionID2
    FROM ILP-Components
PREQ
  FROM ILP-PREQ
PRES
  FROM ILP-PRES
PRPT
  FROM ILP-PRPT
PLREQ
  FROM ILP-PLREQ
PLRES
  FROM ILP-PLRES
PINIT
  FROM ILP-PINIT
PAUTH
  FROM ILP-PAUTH
PALIVE
  FROM ILP-PALIVE
PEND
  FROM ILP-PEND
PMESS
  FROM ILP-PMESS;

-- general ILP PDU layout;
ILP-PDU ::= SEQUENCE {
  length      INTEGER(0..65535),
  version     Version,
  sessionID2  SessionID2,
  message     IlpMessage
}

IlpMessage ::= CHOICE {
  msPREQ      PREQ,
  msPRES      PRES,
  msPRPT      PRPT,
  msPLREQ     PLREQ,
  msPLRES     PLRES,
  msPINIT     PINIT,
  msPAUTH     PAUTH,
  msPALIVE    PALIVE,
  msPEND      PEND,
  msPMESS     PMESS,
  ...}

END

```

## 13.2 Message Specific Part

The message specific part contains further parameters that are unique for each ILP message. The following sections describe the message specific part of ILP messages.

### 13.2.1 PREQ

```

ILP-PREQ DEFINITIONS AUTOMATIC TAGS ::=
BEGIN

EXPORTS PREQ;

IMPORTS LocationId, Position, QoP, SPCSETKey, SPCTID, SPCSETKeylifetime,
MultipleLocationIds, PosTechnology, SETCapabilities
    FROM ILP-Components;

PREQ ::= SEQUENCE {
    sLPMode          SLPMode,
    approvedPosMethods    PosTechnology OPTIONAL,
    locationId        LocationId OPTIONAL,
    multipleLocationIds  MultipleLocationIds OPTIONAL,
    position          Position OPTIONAL,
    triggerParams      TriggerParams OPTIONAL,
    sPCSETKey         SPCSETKey OPTIONAL,
    sPCTID            SPCTID OPTIONAL,
    sPCSETKeylifetime  SPCSETKeylifetime OPTIONAL,
    qoP              QoP OPTIONAL,
    sETCapabilities    SETCapabilities OPTIONAL,
    notificationMode   NotificationMode OPTIONAL,
    ...}

SLPMode ::= ENUMERATED {proxy(0), nonProxy(1)}

TriggerParams ::= SEQUENCE {
    triggerType        TriggerType,
    periodicTriggerParams  PeriodicTriggerParams    OPTIONAL,
    ...}

TriggerType ::= ENUMERATED {
    periodic(0), areaEvent(1),
    ...}

PeriodicTriggerParams ::= SEQUENCE{
    numberOfFixes      INTEGER(1..8639999),
    intervalBetweenFixes  INTEGER(1..8639999),
    startTime          INTEGER(0..2678400) OPTIONAL,
    ...}
-- intervalBetweenFixes and startTime are in seconds.
-- numberOfFixes * intervalBetweenFixes shall not exceed 8639999
-- (100 days in seconds) for compatibility with OMA MLP and RLP
-- startTime is in relative time in units of seconds measured from "now"
-- a value of 0 signifies "now", a value of "startTime" signifies startTime
-- seconds from "now"

NotificationMode ::= ENUMERATED {normal(0), basedOnLocation(1), ...}

END

```

## 13.2.2 PRES

```

ILP-PRES DEFINITIONS AUTOMATIC TAGS ::=
BEGIN

EXPORTS PRES;

IMPORTS Position, SPCStatusCode, PosTechnology, PosMethod, GNSSPosTechnology
    FROM ILP-Components;

PRES ::= SEQUENCE {
    preferredPosMethod      PosMethod OPTIONAL,
    gnssPosTechnology       GNSSPosTechnology OPTIONAL,
    supportedPosMethods     PosTechnology OPTIONAL,
    position                 Position OPTIONAL,
    sPCstatusCode           SPCStatusCode OPTIONAL,
    ...}

END

```

## 13.2.3 PRPT

```

ILP-PRPT DEFINITIONS AUTOMATIC TAGS ::=
BEGIN

EXPORTS PRPT;

IMPORTS Position, StatusCode
    FROM ILP-Components;

PRPT ::= SEQUENCE {
    position      Position,
    fixNumber     INTEGER(1.. 8639999) OPTIONAL,
    statusCode    StatusCode OPTIONAL,
    ...}

END

```

## 13.2.4 PLREQ

```

ILP-PLREQ DEFINITIONS AUTOMATIC TAGS ::=
BEGIN

EXPORTS PLREQ;

IMPORTS LocationId, MultipleLocationIds
    FROM ILP-Components;

PLREQ ::= SEQUENCE {
    locationId      LocationId,
    multipleLocationIds MultipleLocationIds OPTIONAL,
    ...}

END

```

## 13.2.5 PLRES

```

ILP-PLRES DEFINITIONS AUTOMATIC TAGS ::=
BEGIN

EXPORTS PLRES;

IMPORTS Position, StatusCode, maxPosSize
        FROM ILP-Components;

PLRES ::= SEQUENCE {
    positionResults          PositionResults,
    ...}

PositionResults ::= SEQUENCE SIZE (1..maxPosSize) OF PositionResult

PositionResult ::= CHOICE {
    position      Position,
    statusCode    StatusCode,
    ...}

END

```

## 13.2.6 PINIT

```

ILP-PINIT DEFINITIONS AUTOMATIC TAGS ::=
BEGIN

EXPORTS PINIT;

IMPORTS
    LocationId, Position, PosMethod, MultipleLocationIds, PosPayload,
    SETCapabilities, UTRAN-GPSReferenceTimeResult, UTRAN-GANSSReferenceTimeResult,
    GNSSPosTechnology, GANSSSignals
        FROM ILP-Components;

PINIT ::= SEQUENCE {
    SETCapabilities          SETCapabilities,
    locationId              LocationId,
    posMethod                PosMethod OPTIONAL,
    requestedAssistData     RequestedAssistData OPTIONAL,
    position                 Position OPTIONAL,
    posPayload               PosPayload OPTIONAL,
    multipleLocationIds     MultipleLocationIds OPTIONAL,
    utran-GPSReferenceTimeResult UTRAN-GPSReferenceTimeResult
OPTIONAL,
    utran-GANSSReferenceTimeResult UTRAN-GANSSReferenceTimeResult OPTIONAL,
    gnssPosTechnology       GNSSPosTechnology OPTIONAL,
    ...}

RequestedAssistData ::= SEQUENCE {
    almanacRequested          BOOLEAN,
    utcModelRequested         BOOLEAN,
    ionosphericModelRequested BOOLEAN,
    dgpsCorrectionsRequested BOOLEAN,
    referenceLocationRequested BOOLEAN, -- Note: Used also for GANSS
    referenceTimeRequested    BOOLEAN,

```



```

acquisitionAssistanceRequested      BOOLEAN,
realTimeIntegrityRequested          BOOLEAN,
navigationModelRequested            BOOLEAN,
navigationModelData                 NavigationModel OPTIONAL,
ganssRequestedCommonAssistanceDataList
    GanssRequestedCommonAssistanceDataList OPTIONAL,
ganssRequestedGenericAssistanceDataList
    GanssRequestedGenericAssistanceDataList OPTIONAL,
extendedEphemeris                  ExtendedEphemeris OPTIONAL,
extendedEphemerisCheck              ExtendedEphCheck OPTIONAL,
...}

ExtendedEphemeris ::= SEQUENCE {
    validity    INTEGER (1..256), -- Requested validity in 4 hour steps
    ...}

ExtendedEphCheck ::= SEQUENCE {
    beginTime   GPSTime, -- Begin time of ephemeris extension held by SET
    endTime    GPSTime, -- End time of ephemeris extension held by SET
    ...}

GPSTime ::= SEQUENCE {
    gPSWeek    INTEGER (0..1023),
    gPSTOWhour INTEGER (0..167),
    ...}

GanssRequestedCommonAssistanceDataList ::= SEQUENCE {
    ganssReferenceTime      BOOLEAN,
    ganssIonosphericModel   BOOLEAN,
    ganssAdditionalIonosphericModelForDataID00      BOOLEAN,
    ganssAdditionalIonosphericModelForDataID11     BOOLEAN,
    ganssEarthOrientationParameters                BOOLEAN,
    ...,
    ganssAdditionalIonosphericModelForDataID01     BOOLEAN OPTIONAL}

GanssRequestedGenericAssistanceDataList ::= SEQUENCE(SIZE(1..maxGANSS)) OF
GanssReqGenericData

GanssReqGenericData ::= SEQUENCE {
    ganssId                INTEGER(0..15), -- coding according to parameter
definition in Section 12.14
    ganssSBASid           BIT STRING(SIZE(3)) OPTIONAL, --coding according to parameter
definition in section 12.14
    ganssRealTimeIntegrity    BOOLEAN OPTIONAL,
    ganssDifferentialCorrection    DGANSS-Sig-Id-Req OPTIONAL,
    ganssAlmanac                BOOLEAN,
    ganssNavigationModelData    GanssNavigationModelData OPTIONAL,
    ganssTimeModels              BIT STRING(SIZE(16)) OPTIONAL,
    ganssReferenceMeasurementInfo    BOOLEAN,
    ganssDataBits                GanssDataBits OPTIONAL,
    ganssUTCModel                BOOLEAN,
    ganssAdditionalDataChoices    GanssAdditionalDataChoices OPTIONAL,
    ganssAuxiliaryInformation      BOOLEAN,
    ganssExtendedEphemeris        ExtendedEphemeris OPTIONAL,
    ganssExtendedEphemerisCheck    GanssExtendedEphCheck OPTIONAL,
    ...,
    bds-DifferentialCorrection    BDS-Sig-Id-Req OPTIONAL,
    bds-GridModelReq              BOOLEAN}

```

```

DGANSS-Sig-Id-Req ::= BIT STRING (SIZE(8)) -- coding according to parameter
definition in Section 12.15

BDS-Sig-Id-Req ::= BIT STRING (SIZE(8)) -- coding according to parameter definition
in section 12.15

GanssNavigationModelData ::= SEQUENCE {
  ganssWeek    INTEGER(0..4095),
  ganssToe     INTEGER(0..167),
  t-toeLimit  INTEGER(0..10),
  satellitesListRelatedDataList  SatellitesListRelatedDataList OPTIONAL,
  ...}

SatellitesListRelatedDataList ::= SEQUENCE(SIZE(0..maxGANSSSat)) OF
SatellitesListRelatedData

SatellitesListRelatedData ::= SEQUENCE {
  satId        INTEGER(0..63),
  iod          INTEGER(0..1023),
  ...}

maxGANSS      INTEGER ::= 16
maxGANSSSat  INTEGER ::= 32

GanssDataBits ::= SEQUENCE {
  ganssTODmin  INTEGER (0..59),
  reqDataBitAssistanceList  ReqDataBitAssistanceList,
  ...}

ReqDataBitAssistanceList ::= SEQUENCE {
  gnssSignals      GANSSSignals,
  ganssDataBitInterval  INTEGER (0..15),
  ganssDataBitSatList  SEQUENCE (SIZE(1..maxGANSSSat)) OF INTEGER (0..63)
OPTIONAL,
  ...}

GanssAdditionalDataChoices ::= SEQUENCE {
  orbitModelID      INTEGER(0..7) OPTIONAL,
  clockModelID      INTEGER(0..7) OPTIONAL,
  utcModelID         INTEGER(0..7) OPTIONAL,
  almanacModelID    INTEGER(0..7) OPTIONAL,
  ...}

GanssExtendedEphCheck ::= SEQUENCE {
  beginTime  GANSSextEphTime, -- Begin time of ephemeris extension held by SET
  endTime    GANSSextEphTime, -- End time of ephemeris extension held by SET
  ...}

GANSSextEphTime ::= SEQUENCE {
  gANSSday      INTEGER (0..8191),
  gANSSTODhour  INTEGER (0..23),
  ...}

NavigationModel ::= SEQUENCE {
  gpsWeek    INTEGER(0..1023),
  gpsToe     INTEGER(0..167),
  nSAT       INTEGER(0..31),

```

```

toeLimit  INTEGER(0..10),
satInfo   SatelliteInfo OPTIONAL,
...}

```

```
SatelliteInfo ::= SEQUENCE (SIZE (1..31)) OF SatelliteInfoElement
```

```

SatelliteInfoElement ::= SEQUENCE {
  satId  INTEGER(0..63),
  iODE   INTEGER(0..255),
  ...}

```

```
END
```

## 13.2.7 PAUTH

```

ILP-PAUTH DEFINITIONS AUTOMATIC TAGS ::=
BEGIN

```

```
EXPORTS PAUTH;
```

```

IMPORTS SPCSETKey, SPCTID, SPCSETKeylifetime
        FROM ILP-Components;

```

```

PAUTH ::= SEQUENCE {
  sPCSETKey   SPCSETKey,
  sPCTID      SPCTID,
  sPCSETKeylifetime SPCSETKeylifetime OPTIONAL,
  ...}

```

```
END
```

## 13.2.8 PALIVE

```

ILP-PALIVE DEFINITIONS AUTOMATIC TAGS ::=
BEGIN

```

```
EXPORTS PALIVE;
```

```

IMPORTS SPCStatusCode
        FROM ILP-Components;

```

```

PALIVE ::= SEQUENCE {
  sPCStatusCode SPCStatusCode OPTIONAL,
  ...}

```

```
END
```

## 13.2.9 PEND

```

ILP-PEND DEFINITIONS AUTOMATIC TAGS ::=
BEGIN

```

```
EXPORTS PEND;
```

```

IMPORTS Position, StatusCode
        FROM ILP-Components;

```

```

PEND ::= SEQUENCE {
    position      Position      OPTIONAL,
    statusCode    StatusCode    OPTIONAL,
    ...}

END

```

## 13.2.10 PMESS

```

ILP-PMESS DEFINITIONS AUTOMATIC TAGS ::=
BEGIN

EXPORTS PMESS;

IMPORTS Velocity, PosPayload, UTRAN-GPSReferenceTimeResult, UTRAN-
GANSSReferenceTimeResult, UTRAN-GPSReferenceTimeAssistance, UTRAN-
GANSSReferenceTimeAssistance
    FROM ILP-Components;

PMESS ::= SEQUENCE {
    posPayload    PosPayload,
    velocity      Velocity OPTIONAL,
    utran-GPSReferenceTimeAssistance    UTRAN-GPSReferenceTimeAssistance OPTIONAL,
    utran-GPSReferenceTimeResult        UTRAN-GPSReferenceTimeResult
OPTIONAL,
    utran-GANSSReferenceTimeAssistance    UTRAN-GANSSReferenceTimeAssistance OPTIONAL,
    utran-GANSSReferenceTimeResult        UTRAN-GANSSReferenceTimeResult OPTIONAL,
    ...}

END

```

## 13.3 Common Elements

```

ILP-Components DEFINITIONS AUTOMATIC TAGS ::=
BEGIN

EXPORTS
    Version, SessionID2, LocationId, PosTechnology, Position, StatusCode,
    QoP, PosMethod, Velocity, PosPayload, SETCapabilities, SPCStatusCode,
    SPCSETKey, SPCTID, SPCSETKeylifetime, maxPosSize, UTRAN-GPSReferenceTimeResult,
    UTRAN-GANSSReferenceTimeResult, GNSSPosTechnology, UTRAN-
    GPSReferenceTimeAssistance, UTRAN-GANSSReferenceTimeAssistance,
    MultipleLocationIds, GANSSSignals;

-- protocol version expressed as x.y.z (e.g., 5.1.0)
Version ::= SEQUENCE {
    maj      INTEGER(0..255),
    min      INTEGER(0..255),
    servind  INTEGER(0..255)}

SessionID2 ::= SEQUENCE {
    slcSessionID          SlcSessionID,
    setSessionID          SetSessionID OPTIONAL,
    spcSessionID          SpcSessionID OPTIONAL
    -- the semantics of OPTIONAL applies to the encoding only.
    -- The parameter itself is MANDATORY. Since the spcSessionID is allocated by the
    SPC,

```

```

-- there is no spcSessionID to be transmitted in the ILP PREQ message.
}

SetSessionID ::= SEQUENCE {
    sessionId  INTEGER(0..65535),
    setId      SETid
}

SETid ::= CHOICE {
    msisdn     OCTET STRING(SIZE (8)),
    mnd        OCTET STRING(SIZE (8)),
    min        BIT STRING(SIZE (34)), -- coded according to TIA-553
    imsi       OCTET STRING(SIZE (8)),
    nai        IA5String(SIZE (1..1000)),
    ipAddress  IPAddress,
    ...}
-- msisdn, mnd and imsi are a BCD (Binary Coded Decimal) string
-- represent digits from 0 through 9,
-- two digits per octet, each digit encoded 0000 to 1001 (0 to 9)
-- bits 8765 of octet n encoding digit 2n
-- bits 4321 of octet n encoding digit 2(n-1) +1
-- not used digits in the string shall be filled with 1111

SlcSessionID ::= SEQUENCE {
    sessionId  OCTET STRING(SIZE (4)),
    slcId      NodeAddress
}

SpcSessionID ::= SEQUENCE {
    sessionId  OCTET STRING(SIZE (4)),
    spcId      NodeAddress
}

IPAddress ::= CHOICE {
    ipv4Address  OCTET STRING(SIZE (4)),
    ipv6Address  OCTET STRING(SIZE (16))
}

NodeAddress ::= CHOICE {
    ipAddress  IPAddress,
    fQDN       FQDN,
    ...}

FQDN ::= VisibleString(FROM ("a".."z" | "A".."Z" | "0".."9" | "-"))(SIZE (1..255))

LocationId ::= SEQUENCE {
    cellInfo  CellInfo,
    status    Status,
    ...}

Status ::= ENUMERATED {stale(0), current(1), unknown(2), ...}

MultipleLocationIds ::= SEQUENCE SIZE (1..maxLidSize) OF LocationIdData

LocationIdData ::= SEQUENCE {
    locationId LocationId,

```

```

    relativetimestamp    RelativeTime OPTIONAL, -- if relativetimestamp is present,
then data represents historical measurement, if absent, data represents current
measurements
    servingFlag    BOOLEAN, -- if "true" measurements represent serving cell
...}
-- status in locationId indicates whether cellInfo is current or stale relative to
timestamp

RelativeTime ::= INTEGER (0..65535) -- relative time to "current" Location Id in
multiples of 0.01sec

maxLidSize    INTEGER ::= 64

SETCapabilities ::= SEQUENCE {
    posTechnology    PosTechnology,
    prefMethod        PrefMethod,
    posProtocol        PosProtocol,
    supportedBearers SupportedBearers OPTIONAL,
...}

PosTechnology ::= SEQUENCE {
    agpsSETassisted    BOOLEAN,
    agpsSETBased        BOOLEAN,
    autonomousGPS        BOOLEAN,
    aFLT                BOOLEAN,
    eCID                BOOLEAN,
    eOTD                BOOLEAN,
    oTDOA                BOOLEAN,
    gANSSPositionMethods GANSSPositionMethods OPTIONAL,
...}

GANSSPositionMethods ::= SEQUENCE (SIZE(1..16)) OF GANSSPositionMethod

GANSSPositionMethod ::= SEQUENCE {
    ganssId    INTEGER(0..15), -- coding according to parameter definition in Section
12.14
    ganssSBASid                BIT STRING(SIZE(3)) OPTIONAL, --coding
according to parameter definition in section 12.14
    gANSSPositioningMethodTypes GANSSPositioningMethodTypes,
    gANSSSignals                GANSSSignals,
...}

GANSSPositioningMethodTypes ::= SEQUENCE {
    setAssistedBOOLEAN,
    setBased    BOOLEAN,
    autonomous BOOLEAN,
...}

-- indicates MS support for particular GANSS signals and frequencies
-- coding according to parameter definition in Section 12.14
GANSSSignals ::= BIT STRING {
    signal1 (0),
    signal2 (1),
    signal3 (2),
    signal4 (3),
    signal5 (4),
    signal6 (5),

```

```

        signal7 (6),
        signal8 (7)} (SIZE (1..8))

PrefMethod ::= ENUMERATED {
    agnssSETAssistedPreferred, agnssSETBasedPreferred, noPreference,
    ...}
-- Note: In ULP V2.1, the names of the enumerations are
-- kept the same as in ULP V1.0. ie. agps in the TS ULP actually shall be
-- interpreted as agnss. This means that agpsSETAssistedPreferred and
-- agpsSETBasedPreferred in ULP V2.1 map to agnssSETAssistedPreferred and
-- agnssSETBasedPreferred in ILP.

PosProtocol ::= SEQUENCE {
    tia801    BOOLEAN,
    rrlp     BOOLEAN,
    rrc      BOOLEAN,
    lpp      BOOLEAN,
    posProtocolVersionRRLP  PosProtocolVersion3GPP OPTIONAL,
    posProtocolVersionRRC   PosProtocolVersion3GPP OPTIONAL,
    posProtocolVersionTIA801 PosProtocolVersion3GPP2 OPTIONAL,
    posProtocolVersionLPP   PosProtocolVersion3GPP OPTIONAL,
    ...,
    lppe      BOOLEAN OPTIONAL,
    posProtocolVersionLPPE  PosProtocolVersionOMA OPTIONAL}

PosProtocolVersion3GPP ::= SEQUENCE {
    majorVersionField  INTEGER(0..255),
    technicalVersionField  INTEGER(0..255),
    editorialVersionField  INTEGER(0..255),
    ...}

PosProtocolVersion3GPP2 ::= SEQUENCE (SIZE(1..8)) OF
Supported3GPP2PosProtocolVersion

Supported3GPP2PosProtocolVersion ::= SEQUENCE {
    revisionNumber      BIT STRING(SIZE (6)), -- the location standard revision
number the SET supports coded according to 3GPP2 C.S0022
    pointReleaseNumber  INTEGER(0..255),
    internalEditLevel   INTEGER(0..255),
    ...}

PosProtocolVersionOMA ::= SEQUENCE {
    majorVersionField  INTEGER(0..255),
    minorVersionField  INTEGER(0..255),
    ...}

SupportedBearers ::= SEQUENCE {
    gsm                BOOLEAN,
    wcdma              BOOLEAN,
    lte                BOOLEAN,
    cdma               BOOLEAN,
    hprd               BOOLEAN,
    umb                BOOLEAN,
    wlan               BOOLEAN,
    wiMAX              BOOLEAN,
    ...}

```

```

CellInfo ::= CHOICE {
  gsmCell      GsmCellInformation,
  wcdmaCell    WcdmaCellInformation, --WCDMA Cell Information/TD-SCDMA Cell
Information
  cdmaCell     CdmaCellInformation,
  hrpdCell     HrpdcCellInformation,
  umbCell      UmbCellInformation,
  lteCell      LteCellInformation,
  wlanAP       WlanAPIInformation,
  wimaxBS      WimaxBSInformation,
  ...}

UTRAN-GPSReferenceTimeResult ::= SEQUENCE {
-- For ue-GPSTimingOfCell values above 37158911999999 are not
-- used in this version of the specification
-- Actual value utran-GPSTimingOfCell = (ms-part * 4294967296) + ls-part
-- used on the uplink i.e. reported by the SET to the SLP
  set-GPSTimingOfCell      SEQUENCE {
    ms-part  INTEGER (0.. 16383),
    ls-part  INTEGER (0..4294967295)},
  modeSpecificInfo        CHOICE {
    fdd        SEQUENCE {
      referenceIdentity  PrimaryCPICH-Info},
    tdd        SEQUENCE {
      referenceIdentity  CellParametersID}
  },
  sfn              INTEGER (0..4095),
  gpsReferenceTimeUncertainty  INTEGER (0..127) OPTIONAL,
  ...}

UTRAN-GANSSReferenceTimeResult ::= SEQUENCE {
  ganssTimeID INTEGER (0..15),
  set-GANSSReferenceTime  SET-GANSSReferenceTime,
  ...}

SET-GANSSReferenceTime ::= SEQUENCE {

-- Actual value [ns] = (ms-Part * 4294967296 + ls-Part) * 250
-- Actual values [ns] > 86399999999750 are reserved and are considered a
-- protocol error
  set-GANSSTimingOfCell      SEQUENCE {
    ms-part      INTEGER (0..80),
    ls-part      INTEGER (0..4294967295)} OPTIONAL,
  modeSpecificInfo          CHOICE {
    fdd          SEQUENCE {
      referenceIdentity  PrimaryCPICH-Info},
    tdd          SEQUENCE {
      referenceIdentity  CellParametersID}} OPTIONAL,
  sfn                  INTEGER (0..4095),
  ganss-TODUncertainty  INTEGER (0..127) OPTIONAL,
  ...}

GNSSPosTechnology ::= SEQUENCE {
  gps      BOOLEAN,
  galileo  BOOLEAN,
  sbas     BOOLEAN,
  modernized-gps      BOOLEAN,
  qzss      BOOLEAN,

```



```

glonass    BOOLEAN,
...,
bds        BOOLEAN    OPTIONAL}

Position ::= SEQUENCE {
    timestamp          UTCTime, -- shall include seconds and shall use UTC time.
    positionEstimate  PositionEstimate,
    velocity          Velocity OPTIONAL,
    ...}

PositionEstimate ::= SEQUENCE {
    latitudeSign      ENUMERATED {north, south},
    latitude          INTEGER(0..8388607),
    longitude         INTEGER(-8388608..8388607),
    uncertainty
        SEQUENCE {uncertaintySemiMajor  INTEGER(0..127),
                   uncertaintySemiMinor  INTEGER(0..127),
                   orientationMajorAxis  INTEGER(0..180)} OPTIONAL, -- angle in degree
    between major axis and North
    confidence        INTEGER(0..100) OPTIONAL,
    altitudeInfo      AltitudeInfo OPTIONAL,
    ...} -- Coding as in [3GPP GAD]

AltitudeInfo ::= SEQUENCE {
    altitudeDirection  ENUMERATED {height, depth},
    altitude           INTEGER(0..32767),
    altUncertainty     INTEGER(0..127),
    ...} -- based on 3GPP TS 23.032

CdmaCellInformation ::= SEQUENCE {
    refNID             INTEGER(0..65535), -- Network Id
    refSID             INTEGER(0..32767), -- System Id
    refBASEID         INTEGER(0..65535), -- Base Station Id
    refBASELAT        INTEGER(0..4194303), -- Base Station Latitude
    reBASELONG        INTEGER(0..8388607), -- Base Station Longitude
    refREFPN          INTEGER(0..511), -- Base Station PN Code
    refWeekNumber     INTEGER(0..65535), -- GPS Week Number
    refSeconds        INTEGER(0..4194303), -- GPS Seconds
    ...}

GsmCellInformation ::= SEQUENCE {
    refMCC            INTEGER(0..999), -- Mobile Country Code
    refMNC            INTEGER(0..999), -- Mobile Network Code
    refLAC            INTEGER(0..65535), -- Location area code
    refCI             INTEGER(0..65535), -- Cell identity
    nMR              NMR OPTIONAL,
    tA                INTEGER(0..255) OPTIONAL, --Timing Advance
    ...}

WcdmaCellInformation ::= SEQUENCE {
    refMCC            INTEGER(0..999), -- Mobile Country Code
    refMNC            INTEGER(0..999), -- Mobile Network Code
    refUC             INTEGER(0..268435455), -- Cell identity
    frequencyInfo     FrequencyInfo OPTIONAL,
    primaryScramblingCode  INTEGER(0..511) OPTIONAL, -- Not applicable for TDD
    measuredResultsList  MeasuredResultsList OPTIONAL,
    cellParametersId  INTEGER(0..127) OPTIONAL, -- Not applicable for FDD
    timingAdvance     TimingAdvance OPTIONAL, -- Not applicable for FDD

```

```

...}

TimingAdvance ::= SEQUENCE {
  tA          INTEGER (0..8191),
  tAResolution  TAREsolution OPTIONAL, -- If missing, resolution is 0.125 chips
  chipRate    ChipRate OPTIONAL, -- If missing, chip rate is 1.28 Mchip/s
  ...}

TAREsolution ::= ENUMERATED {res10chip(0),res05chip(1),res0125chip(2), ...} --
Corresponding to 1.0-chip, 0.5-chip and 0.125-chip resolutions, respectively

ChipRate ::= ENUMERATED {tdd128(0),tdd384(1), tdd768(2), ...} -- Corresponding to
1.28-Mchips/s, 3.84-Mchips/s and 7.68-Mchips/s chip rates, respectively

HrpdcCellInformation ::= SEQUENCE {
  refSECTORID  BIT STRING(SIZE (128)) OPTIONAL, -- HRPD Sector Id
  refBASELAT   INTEGER(0..4194303), -- Base Station Latitude
  reBASELONG   INTEGER(0..8388607), -- Base Station Longitude
  refWeekNumber INTEGER(0..65535), -- GPS Week Number
  refSeconds   INTEGER(0..4194303), -- GPS Seconds
  ...}

UmbCellInformation ::= SEQUENCE {
  refSECTORID  BIT STRING(SIZE (128)), -- UMB Sector Id
  refMCC       INTEGER(0..999), -- Mobile Country Code
  refMNC       INTEGER(0..999), -- Mobile Network Code
  refBASELAT   INTEGER(0..4194303), -- Base Station Latitude
  reBASELONG   INTEGER(0..8388607), -- Base Station Longitude
  refWeekNumber INTEGER(0..65535), -- GPS Week Number
  refSeconds   INTEGER(0..4194303), -- GPS Seconds
  ...}

-- LTE Cell info per 3GPP TS 36.331.
-- If not otherwise stated info is related to serving cell

LteCellInformation ::= SEQUENCE {
  cellGlobalIdEUTRA      CellGlobalIdEUTRA,
  physCellId             PhysCellId,
  trackingAreaCode       TrackingAreaCode,
  rsrpResult             RSRP-Range OPTIONAL,
  rsrqResult             RSRQ-Range OPTIONAL,
  tA                     INTEGER(0..1282) OPTIONAL, -- Timing Currently used Timing Advance value
(N_TA/16 as per [3GPP TS 36.213]).
  measResultListEUTRA    MeasResultListEUTRA OPTIONAL, -- Neighbour measurements
  ...,
  earfcn                 INTEGER(0..65535) OPTIONAL, -- see Table 24
  earfcn-ext             INTEGER(65536..262143) OPTIONAL -- see Table 24
}

-- Measured results of neighbours cells per 3GPP TS 36.331

MeasResultListEUTRA ::= SEQUENCE (SIZE (1..maxCellReport)) OF MeasResultEUTRA

MeasResultEUTRA ::= SEQUENCE {
  physCellId             PhysCellId,
  cgi-Info SEQUENCE {
    cellGlobalId         CellGlobalIdEUTRA,
    trackingAreaCode     TrackingAreaCode
  }
}

```

```

    } OPTIONAL,
    measResult SEQUENCE {
        rsrpResult RSRP-Range OPTIONAL, -- Mapping to measured values
        rsrqResult RSRQ-Range OPTIONAL, -- in 3GPP TS 36.133
        ...,
        earfcn INTEGER(0..65535) OPTIONAL, -- see Table 24
        earfcn-ext INTEGER(65536..262143) OPTIONAL -- see Table 24
    }
}

PhysCellId ::= INTEGER (0..503)

TrackingAreaCode ::= BIT STRING (SIZE (16))

CellGlobalIdEUTRA ::= SEQUENCE {
    plmn-Identity PLMN-Identity,
    cellIdentity CellIdentity,
    ...
}

PLMN-Identity ::= SEQUENCE {
    mcc MCC OPTIONAL,
    mnc MNC
}

CellIdentity ::= BIT STRING (SIZE (28))

MCC ::= SEQUENCE (SIZE (3)) OF
MCC-MNC-Digit

MNC ::= SEQUENCE (SIZE (2..3)) OF
MCC-MNC-Digit

MCC-MNC-Digit ::= INTEGER (0..9)

RSRP-Range ::= INTEGER(0..97)
RSRQ-Range ::= INTEGER(0..34)
maxCellReport INTEGER ::= 8

WlanAPInformation ::= SEQUENCE { -- as per [IEEE 802.11]
    apMACAddress BIT STRING(SIZE (48)), -- AP MAC Address
    apTransmitPower INTEGER(-127..128) OPTIONAL, -- AP transmit power in dbm
    apAntennaGain INTEGER(-127..128) OPTIONAL, -- AP antenna gain in dBi
    apSignaltoNoise INTEGER(-127..128) OPTIONAL, -- AP S/N received at SET
    apDeviceType ENUMERATED {wlan802-11a(0), wlan802-11b(1), wlan802-11g(2),
..., wlan802-11n(3), wlan802-11ac(4), wlan802-11ad(5)} OPTIONAL,
    apSignalStrength INTEGER(-127..128) OPTIONAL, -- AP signal strength at SET
    apChannelFrequency INTEGER(0..256) OPTIONAL, -- AP channel/frequency of Tx/Rx
    apRoundTripDelay RTD OPTIONAL, -- Round Trip Delay between SET and AP
    setTransmitPower INTEGER(-127..128) OPTIONAL, -- SET transmit power in dBm
    setAntennaGain INTEGER (-127..128) OPTIONAL, -- SET antenna gain in dBi
    setSignaltoNoise INTEGER (-127..128) OPTIONAL, -- SET S/N received at AP
    setSignalStrength INTEGER(-127..128) OPTIONAL, -- SET signal strength at AP
    apReportedLocation ReportedLocation OPTIONAL, -- AP Location reported by AP
    (legacy encoding)
    ...,
    apRepLocation RepLocation OPTIONAL, -- AP Location reported by AP
    apSignalStrengthDelta INTEGER (0..1) OPTIONAL, -- see Table 28
}

```

```

apSignaltoNoiseDelta    INTEGER (0..1) OPTIONAL, -- see Table 28
setSignalStrengthDelta  INTEGER (0..1) OPTIONAL, -- see Table 28
setSignaltoNoiseDelta   INTEGER (0..1) OPTIONAL, -- see Table 28
operatingClass          INTEGER (0..255) OPTIONAL,
apSSID                  OCTET STRING (SIZE (1..32)) OPTIONAL,
apPHYType               ENUMERATED {unknown(0), any(1), fhss(2), dsss(3),
irbaseband(4), ofdm(5), hrds(6), erp(7), ht(8), ihv(9), ...} OPTIONAL
}

RTD ::= SEQUENCE { -- as per [IEEE 802.11]
    rTDValue             INTEGER(0..16777216), -- measured RTD value corresponding to about
500km in units of 1/10 of nanoseconds
    rTDUnits             RTDUnits, -- units of RTD
    rTDAccuracy          INTEGER(0..255) OPTIONAL, -- RTD accuracy
    ...}

RTDUnits ::= ENUMERATED {
    microseconds(0), hundredsofnanoseconds(1), tensofnanoseconds(2), nanoseconds(3),
tenthssofnanoseconds(4), ...}

ReportedLocation ::= SEQUENCE { -- as per 802.11v
    locationEncodingDescriptor LocationEncodingDescriptor,
    locationData              LocationData, -- location data field
    ...}

LocationEncodingDescriptor ::= ENUMERATED {
    lCI(0), aSN1(1), ...}

LocationData ::= SEQUENCE {
    locationAccuracy  INTEGER(0..4294967295) OPTIONAL,
    locationValue     OCTET STRING (SIZE(1..128)),
    ...}

RepLocation ::= CHOICE {
    lciLocData        LciLocData, -- location data field as per [IEEE 802.11]
and [RFC 3825]
    ...              -- future formats may be added here
}

LciLocData ::= SEQUENCE {
    locationDataLCI   LocationDataLCI OPTIONAL,
    ...}

LocationDataLCI ::= SEQUENCE {
    latitudeResolution  BIT STRING (SIZE (6)),
    latitude            BIT STRING (SIZE (34)),
    longitudeResolution BIT STRING (SIZE (6)),
    longitude           BIT STRING (SIZE (34)),
    altitudeType        BIT STRING (SIZE (4)),
    altitudeResolution  BIT STRING (SIZE (6)),
    altitude            BIT STRING (SIZE (30)),
    datum               BIT STRING (SIZE (8)),
    ...}

WimaxBSInformation ::= SEQUENCE {
    wimaxBsID   WimaxBsID, -- WiMax serving base station ID
    wimaxRTD    WimaxRTD   OPTIONAL, -- Round Trip Delay measurements
    wimaxNMRList WimaxNMRList OPTIONAL, -- Network measurements

```

```

...}

WimaxBsID ::= SEQUENCE {
  bsID-MSB    BIT STRING (SIZE(24)) OPTIONAL,
  bsID-LSB    BIT STRING (SIZE(24)),
  ...}
-- if only LSB is present, MSB is assumed to be identical to the current serving BS
or clamped on network value

WimaxRTD ::= SEQUENCE {
  rTD          INTEGER (0..65535), -- Round trip delay of serving BS in units of 10
ns
  rTDstd       INTEGER (0..1023) OPTIONAL, -- Standard deviation of round trip delay
in units of 10 ns
  ...}

WimaxNMRList ::= SEQUENCE (SIZE (1..maxWimaxBSMeas)) OF WimaxNMR

WimaxNMR ::= SEQUENCE {
  wimaxBsID    WimaxBsID, -- WiMax BS ID for the measurement
  relDelay     INTEGER (-32768..32767) OPTIONAL, -- Relative delay for this
neighbouring BSs to the serving cell in units of 10 ns
  relDelaystd  INTEGER (0..1023) OPTIONAL, -- Standard deviation of Relative delay
in units of 10 ns
  rSSI         INTEGER (0..255) OPTIONAL, -- RSSI in 0.25 dBm steps, starting from -
103.75 dBm
  rSSIstd      INTEGER (0..63) OPTIONAL, -- Standard deviation of RSSI in dB
  bSTxPower    INTEGER (0..255) OPTIONAL, -- BS transmit power in 0.25 dBm steps,
starting from -103.75 dBm
  cINR         INTEGER (0..255) OPTIONAL, -- in dB
  cINRstd      INTEGER (0..63) OPTIONAL, -- Standard deviation of CINR in dB
  bSLocation   ReportedLocation OPTIONAL, -- Reported location of the BS
  ...}

maxWimaxBSMeas INTEGER ::= 32

FrequencyInfo ::= SEQUENCE {
  modeSpecificInfo CHOICE {fdd FrequencyInfoFDD,
                           tdd FrequencyInfoTDD,
                           ...},
  ...}

FrequencyInfoFDD ::= SEQUENCE {
  uarfcn-UL  UARFCN OPTIONAL,
  uarfcn-DL  UARFCN,
  ...}

FrequencyInfoTDD ::= SEQUENCE {uarfcn-Nt  UARFCN,
  ...}

UARFCN ::= INTEGER(0..16383)

NMR ::= SEQUENCE (SIZE (1..15)) OF NMRelement

NMRelement ::= SEQUENCE {
  aRFCN  INTEGER(0..1023),
  bSIC   INTEGER(0..63),

```

```

rxLev  INTEGER(0..63),
...}

MeasuredResultsList ::= SEQUENCE (SIZE (1..maxFreq)) OF MeasuredResults

MeasuredResults ::= SEQUENCE {
  frequencyInfo          FrequencyInfo OPTIONAL,
  ultra-CarrierRSSI      UTRA-CarrierRSSI OPTIONAL,
  cellMeasuredResultsList CellMeasuredResultsList OPTIONAL}

CellMeasuredResultsList ::=
  SEQUENCE (SIZE (1..maxCellMeas)) OF CellMeasuredResults

-- SPARE: UTRA-CarrierRSSI, Max = 76
-- Values above Max are spare
UTRA-CarrierRSSI ::= INTEGER(0..127)

CellMeasuredResults ::= SEQUENCE {
  cellIdentity          INTEGER(0..268435455) OPTIONAL,
  modeSpecificInfo     CHOICE {fdd
    SEQUENCE {primaryCPICH-Info PrimaryCPICH-Info,
               cpich-Ec-N0      CPICH-Ec-N0 OPTIONAL,
               cpich-RSCP        CPICH-RSCP OPTIONAL,
               pathloss          Pathloss OPTIONAL},
    tdd
    SEQUENCE {cellParametersID  CellParametersID,
               proposedTGSN     TGSN OPTIONAL,
               primaryCCPCH-RSCP PrimaryCCPCH-RSCP OPTIONAL,
               pathloss          Pathloss OPTIONAL,
               timeslotISCP-List TimeslotISCP-List OPTIONAL
               -- NOTE: TimeSlotISCP measurement list cannot be
interpreted without the knowledge of Cell Info as defined in [3GPP RRC].
}}}

CellParametersID ::= INTEGER(0..127)

TGSN ::= INTEGER(0..14)

PrimaryCCPCH-RSCP ::= INTEGER(0..127)

-- SPARE: TimeslotISCP, Max = 91
-- Values above Max are spare
TimeslotISCP ::= INTEGER(0..127)

TimeslotISCP-List ::= SEQUENCE (SIZE (1..maxTS)) OF TimeslotISCP

PrimaryCPICH-Info ::= SEQUENCE {primaryScramblingCode  INTEGER(0..511)}

-- SPARE: CPICH-Ec-No, Max = 49
-- Values above Max are spare
CPICH-Ec-N0 ::= INTEGER(0..63)

-- SPARE: CPICH- RSCP, data range from 0 to 91 and from 123 to 127.
-- Values from 92 to 122 are spare
-- the encoding of cpich-RSCP is (as per 25.331 V5.11.0)
-- cpich-RSCP = 123    CPICH RSCP <-120 dBm
-- cpich-RSCP = 124    -120 ≤ CPICH RSCP < -119 dBm

```

```

-- cpich-RSCP = 125    -119 ≤ CPICH RSCP < -118 dBm
-- cpich-RSCP = 126    -118 ≤ CPICH RSCP < -117 dBm
-- cpich-RSCP = 127    -117 ≤ CPICH RSCP < -116 dBm
-- cpich-RSCP = 0      -116 ≤ CPICH RSCP < -115 dBm
-- cpich-RSCP = 1      -115 ≤ CPICH RSCP < -114 dBm
-- ...                ...
-- cpich-RSCP = 89     -27 ≤ CPICH RSCP < -26 dBm
-- cpich-RSCP = 90     -26 ≤ CPICH RSCP < -25 dBm
-- cpich-RSCP = 91     -25 ≤ CPICH RSCP      dBm

CPICH-RSCP ::= INTEGER(0..127)

-- SPARE: Pathloss, Max = 158
-- Values above Max are spare
Pathloss ::= INTEGER(46..173)

maxCellMeas INTEGER ::= 32

maxFreq INTEGER ::= 8

maxTS INTEGER ::= 14

UTRAN-GPSReferenceTimeAssistance ::= SEQUENCE {
    utran-GPSReferenceTime          UTRAN-GPSReferenceTime,
    gpsReferenceTimeUncertainty     INTEGER (0..127) OPTIONAL,
    utranGPSDriftRate               UTRANGPSDriftRate          OPTIONAL}

UTRAN-GPSReferenceTime ::= SEQUENCE {
    -- For utran-GPSTimingOfCell values above 2322431999999 are not
    -- used in this version of the specification
    -- Actual value utran-GPSTimingOfCell = (ms-part * 4294967296) + ls-
part
    -- used on the downlink i.e. sent from the SLP to the SET
    utran-GPSTimingOfCell SEQUENCE {
        ms-part INTEGER (0..1023),
        ls-part INTEGER (0..4294967295)
    },
    modeSpecificInfo CHOICE {
        fdd SEQUENCE {
            referenceIdentity PrimaryCPICH-Info},
        tdd SEQUENCE {
            referenceIdentity CellParametersID}} OPTIONAL,
    sfn INTEGER (0..4095)
}

UTRANGPSDriftRate ::= ENUMERATED {
    utran-GPSDrift0, utran-GPSDrift1, utran-GPSDrift2,
    utran-GPSDrift5, utran-GPSDrift10, utran-GPSDrift15,
    utran-GPSDrift25, utran-GPSDrift50, utran-GPSDrift-1,
    utran-GPSDrift-2, utran-GPSDrift-5, utran-GPSDrift-10,
    utran-GPSDrift-15, utran-GPSDrift-25, utran-GPSDrift-50
}

UTRAN-GANSSReferenceTimeAssistance ::= SEQUENCE {
    ganssTimeID INTEGER (0..15),
    utran-GANSSReferenceTime UTRAN-GANSSReferenceTime,
    ganssDay INTEGER (0..8191) OPTIONAL,
    utranGANSSDriftRate UTRANGANSSDriftRate          OPTIONAL
}

```

```

}

UTRAN-GANSSReferenceTime ::= SEQUENCE {
    ganssTOD INTEGER (0..86399),
    utran-GANSSTimingOfCell INTEGER (0..3999999) OPTIONAL,
    modeSpecificInfo CHOICE {
        fdd SEQUENCE {
            referenceIdentity PrimaryCPICH-Info},
        tdd SEQUENCE {
            referenceIdentity CellParametersID}} OPTIONAL,
    sfn INTEGER (0..4095),
    ganss-TODUncertainty INTEGER (0..127) OPTIONAL,
    ...}

UTRANGANSSDriftRate ::= ENUMERATED {
    utran-GANSSDrift0, utran-GANSSDrift1, utran-GANSSDrift2,
    utran-GANSSDrift5, utran-GANSSDrift10, utran-GANSSDrift15,
    utran-GANSSDrift25, utran-GANSSDrift50, utran-GANSSDrift-1,
    utran-GANSSDrift-2, utran-GANSSDrift-5, utran-GANSSDrift-10,
    utran-GANSSDrift-15, utran-GANSSDrift-25, utran-GANSSDrift-50}

StatusCode ::= ENUMERATED {
    unspecified(0), systemFailure(1), unexpectedMessage(2), protocolError(3),
    dataMissing(4), unexpectedDataValue(5), posMethodFailure(6),
    posMethodMismatch(7), posProtocolMismatch(8), targetSETnotReachable(9),
    versionNotSupported(10), resourceShortage(11), invalidSessionId(12),
    nonProxyModeNotSupported(13), proxyModeNotSupported(14),
    positioningNotPermitted(15), iLPTimeout(16),
    ...}

QoP ::= SEQUENCE {
    horacc INTEGER(0..127),
    veracc INTEGER(0..127) OPTIONAL, -- as defined in 3GPP TS 23.032 "uncertainty
altitude"
    maxLocAge INTEGER(0..65535) OPTIONAL,
    delay INTEGER(0..7) OPTIONAL, -- as defined in 3GPP TS 44.031
    ...}

Velocity ::= CHOICE { -- velocity definition as per 23.032
    horvel Horvel,
    horandvervel Horandvervel,
    horveluncert Horveluncert,
    horandveruncert Horandveruncert,
    ...}

Horvel ::= SEQUENCE {
    bearing BIT STRING(SIZE (9)),
    horspeed BIT STRING(SIZE (16)),
    ...}

Horandvervel ::= SEQUENCE {
    verdirect BIT STRING(SIZE (1)),
    bearing BIT STRING(SIZE (9)),
    horspeed BIT STRING(SIZE (16)),
    verspeed BIT STRING(SIZE (8)),
    ...}

Horveluncert ::= SEQUENCE {

```



```

bearing      BIT STRING(SIZE (9)),
horspeed     BIT STRING(SIZE (16)),
uncertspeed  BIT STRING(SIZE (8)),
...}

Horandveruncert ::= SEQUENCE {
  verdirect   BIT STRING(SIZE (1)),
  bearing     BIT STRING(SIZE (9)),
  horspeed    BIT STRING(SIZE (16)),
  verspeed    BIT STRING(SIZE (8)),
  horuncertspeed BIT STRING(SIZE (8)),
  veruncertspeed BIT STRING(SIZE (8)),
  ...}

PosMethod ::= ENUMERATED {
  agpsSETassisted(0), agpsSETbased(1), agpsSETassistedpref(2),
  agpsSETbasedpref(3), autonomousGPS(4), aFLT(5), eCID(6), eOTD(7), oTDOA(8),
  agnssSETassisted(9), agnssSETbased(10), agnssSETassistedpref(11),
  agnssSETbasedpref(12), autonomousGNSS(13),
  ...}

SPCSETKey ::= BIT STRING(SIZE (128))

SPCTID ::= SEQUENCE {
  rAND        BIT STRING(SIZE (128)),
  slpFQDN     FQDN,
  ...}

SPCSETKeylifetime ::= INTEGER (1..24) -- units in hours

PosPayload ::= CHOICE {
  rrcPayload   OCTET STRING(SIZE (1..8192)),
  rrlpPayload  OCTET STRING(SIZE (1..8192)),
  multiPosPayload MultiPosPayload,
  ...}

MultiPosPayload ::= SEQUENCE {
  lppPayload   SEQUENCE (SIZE (1..3)) OF OCTET STRING(SIZE (1..60000)) OPTIONAL,
  tia801Payload SEQUENCE (SIZE (1..3)) OF OCTET STRING(SIZE (1..60000)) OPTIONAL,
  ...}

SPCStatusCode ::= ENUMERATED {operational(0), notOperational(1),
  reducedAvailability(2),
  ...}

maxPosSize INTEGER ::= 1024

END

```

## Appendix A. Change History (Informative)

### A.1 Approved Version History

Reference	Date	Description
n/a	n/a	No prior version

### A.2 Draft/Candidate Version 2.1 History

Document Identifier	Date	Sections	Description
Draft Versions OMA-TS-IPL-V2_1	01 Mar 2012	n/a	Initial draft based on TS template
	26 Mar 2012	2.1, 12.5.3, 13.3	Incorporated the following CRs: <ul style="list-style-type: none"> <li>OMA-LOC-2012-0086R01-CR_SUPL2_1_TS_ILP_TA_Definition</li> </ul>
	02 Nov 2012	12.5.3, 13.3	Incorporated CR: OMA-LOC-2012-0228-CR_SUPL_2.1_TS_ILP_EARFCN_to_LTE_Cell_Info Editorial changes
Candidate Version OMA-TS-ILP-V2_1	15 Jan 2013	n/a	Status Changed to Candidated by TP OMA-TP-2012-0468-INP_SUPL_V2.1_ERP_and_ETR_for_Candidate_Approval
Draft Versions OMA-TS-IPL-V2_1	02 Oct 2013	2.1, 12.5.7, 13.3	Incorporated CRs: OMA-LOC-2013-0129R02-CR_SUPL2.1_TS_ILP_WLAN_AP_Info_Corrections
	16 Apr 2014	2.1, 3.2, 3.3, 5.0, 10.2.2, 11.2.2, 11.2.6, 12.5.3, 12.14, 12.15, 12.16, 12.20, 12.22, 12.23, 12.24, 13.2.6, 13.3	Incorporated CRs: <ul style="list-style-type: none"> <li>OMA-TS-ILP-V2_1-20140903-D</li> <li>OMA-LOC-2014-0035-CR_SUPL2.1_TS_ILP_Beidou_Support</li> <li>OMA-LOC-2014-0050-CR_SUPL2.1_TS_ILP_Bring_SUPL2_0_2_Forward</li> </ul>
	23 Apr 2014	13, throughout the document	Incorporated CRs: OMA-LOC-2014-0077-CR_SUPL_2.1_ILP_ASN.1_Corrections OMA-LOC-2014-0079-CR_SUPL2.1_TS_ILP_ASN.1_correction
	10 Jun 2014	13.3	Incorporated CRs: OMA-LOC-2014-0115R01-CR_SUPL_2.1_TS_ILP_ASN_1_corrections
	03 Sep 2014	11	Incorporated CRs: OMA-LOC-2014-0134-CR_SUPL_2.1_TS_ILP_ASN.1_Corrections
Candidate Version OMA-TS-ILP-V2_1	09 Sep 2014	n/a	Status changed to Candidate by TP TP Ref # OMA-TP-2014-0212-INP_SUPL_V2_1_ERP_for_Notification

## Appendix B. Static Conformance Requirements (Normative)

The notation used in this appendix is specified in [IOPPROC].

### B.1 SCR for SLC

#### B.1.1 SLC Procedures

SLC procedures follow SCR of [SUPL2 ULP TS].

#### B.1.2 ILP Protocol Interface

Item	Function	Reference	Status	Requirement
ILP-B-SLC-001	ILP encoding	ILP 10	M	
ILP-B-SLC-002	ILP transport	ILP 10	M	
ILP-B-SLC-003	Support of TCP/IP port number	ILP 10	M	

#### B.1.3 ILP Messages

Item	Function	Reference	Status	Requirement
ILP-C-SLC-001	Support of PREQ	ILP 11	M	
ILP-C-SLC-002	Support of PRES	ILP 11	M	
ILP-C-SLC-003	Support of PRPT	ILP 11	M	
ILP-C-SLC-004	Support of PLREQ	ILP 11	M	
ILP-C-SLC-005	Support of PLRES	ILP 11	M	
ILP-C-SLC-006	Support of PINIT	ILP 11	O	
ILP-C-SLC-007	Support of PMESS	ILP 11	O	
ILP-C-SLC-008	Support of PAUTH	ILP 11	O	
ILP-C-SLC-009	Support of PALIVE	ILP 11	M	
ILP-C-SLC-010	Support of PEND	ILP 11	M	

#### B.1.4 Support of Parameters for Optional Functions

Item	Function	Reference	Status	Requirement
ILP-D-SLC-0001	Support of locationId parameter in PREQ	ILP 12	O	
ILP-D-SLC-0002	Support of position parameter in PREQ	ILP 12	O	
ILP-D-SLC-0003	Support of triggerParams parameter in PREQ	ILP 12	O	
ILP-D-SLC-0004	Support of multipleLocationIds parameter in PREQ	ILP 12	O	
ILP-D-SLC-0005	Support of sPCSETKey parameter in PREQ	ILP 12	O	
ILP-D-SLC-0006	Support of sPCTID parameter in PREQ	ILP 12	O	
ILP-D-SLC-0007	Support of sPCSETKeylifetime parameter in PREQ	ILP 12	O	
ILP-D-SLC-0008	Support of qoP parameter in PREQ	ILP 12	O	
ILP-D-SLC-0009	Support of sETCapabilities parameter in PREQ	ILP 12	O	

Item	Function	Reference	Status	Requirement
ILP-D-SLC-0010	Support of preferredPosMethod parameter in PRES	ILP 12	O	
ILP-D-SLC-0011	Support of gnssPosTechnology parameter in PRES	ILP 12	O	
ILP-D-SLC-0012	Support of supportedPosMethods parameter in PRES	ILP 12	O	
ILP-D-SLC-0013	Support of position parameter in PRES	ILP 12	O	
ILP-D-SLC-0014	Support of sPCStatusCode parameter in PRES	ILP 12	O	
ILP-D-SLC-0015	Support of fixNumber parameter in PRPT	ILP 12	O	
ILP-D-SLC-0016	Support of statusCode parameter in PRPT	ILP 12	O	
ILP-D-SLC-0017	Support of multipleLocationIds parameter in PLREQ	ILP 12	O	
ILP-D-SLC-0018	Support of posMethod parameter in PINIT	ILP 12	O	
ILP-D-SLC-0019	Support of requestedAssistData parameter in PINIT	ILP 12	O	
ILP-D-SLC-0020	Support of position parameter in PINIT	ILP 12	O	
ILP-D-SLC-0021	Support of posPayLoad parameter in PINIT	ILP 12	O	
ILP-D-SLC-0022	Support of multipleLocationIds parameter in PINIT	ILP 12	O	
ILP-D-SLC-0023	Support of utran-GPSReferenceTimeResult parameter in PINIT	ILP 12	O	
ILP-D-SLC-0024	Support of utran-GANSSReferenceTimeResult parameter in PINIT	ILP 12	O	
ILP-D-SLC-0025	Support of gnssPosTechnology parameter in PINIT	ILP 12	O	
ILP-D-SLC-0026	Support of sPCSETKeylifetime parameter in PAUTH	ILP 12	O	
ILP-D-SLC-0027	Support of sPCStatusCode parameter in PALIVE	ILP 12	O	
ILP-D-SLC-0028	Support of position parameter in PEND	ILP 12	O	
ILP-D-SLC-0029	Support of statusCode parameter in PEND	ILP 12	O	
ILP-D-SLC-0030	Support of velocity parameter in PMESS	ILP 12	O	
ILP-D-SLC-0031	Support of utran-GPSReferenceTimeAssistance parameter in PMESS	ILP 12	O	
ILP-D-SLC-0032	Support of utran-GPSReferenceTimeResult parameter in PMESS	ILP 12	O	

Item	Function	Reference	Status	Requirement
ILP-D-SLC-0033	Support of utran-GANSSReferenceTimeAssistance parameter in PMESS	ILP 12	O	
ILP-D-SLC-0034	Support of utran-GANSSReferenceTimeResult parameter in PMESS	ILP 12	O	

## B.2 SCR for SPC

### B.2.1 SPC Procedures

SPC procedures follow SCR of [SUPL2 ULP TS].

### B.2.2 ILP Protocol Interface

Item	Function	Reference	Status	Requirement
ILP-B-SPC-001	ILP encoding	ILP 10	M	
ILP-B-SPC-002	ILP transport	ILP 10	M	
ILP-B-SPC-003	Support of TCP/IP port number	ILP 10	M	

### B.2.3 ILP Messages

Item	Function	Reference	Status	Requirement
ILP-C-SPC-001	Support of PREQ	ILP 11	M	
ILP-C-SPC-002	Support of PRES	ILP 11	M	
ILP-C-SPC-003	Support of PRPT	ILP 11	M	
ILP-C-SPC-004	Support of PLREQ	ILP 11	M	
ILP-C-SPC-005	Support of PLRES	ILP 11	M	
ILP-C-SPC-006	Support of PINIT	ILP 11	O	
ILP-C-SPC-007	Support of PMESS	ILP 11	O	
ILP-C-SPC-008	Support of PAUTH	ILP 11	O	
ILP-C-SPC-009	Support of PALIVE	ILP 11	M	
ILP-C-SPC-010	Support of PEND	ILP 11	M	

### B.2.4 Support of Parameters for Optional Functions

Item	Function	Reference	Status	Requirement
ILP-D-SPC-0001	Support of locationId parameter in PREQ	ILP 12	O	
ILP-D-SPC-0002	Support of position parameter in PREQ	ILP 12	O	
ILP-D-SPC-0003	Support of triggerParams parameter in PREQ	ILP 12	O	
ILP-D-SPC-0004	Support of multipleLocationIds parameter in PREQ	ILP 12	O	
ILP-D-SPC-0005	Support of sPCSETKey parameter in PREQ	ILP 12	O	
ILP-D-SPC-0006	Support of sPCTID parameter in PREQ	ILP 12	O	
ILP-D-SPC-0007	Support of sPCSETKeylifetime	ILP 12	O	

Item	Function	Reference	Status	Requirement
	parameter in PREQ			
ILP-D-SPC-0008	Support of qoP parameter in PREQ	ILP 12	O	
ILP-D-SPC-0009	Support of sETCapabilities parameter in PREQ	ILP 12	O	
ILP-D-SPC-0010	Support of preferredPosMethod parameter in PRES	ILP 12	O	
ILP-D-SPC-0011	Support of gnssPosTechnology parameter in PRES	ILP 12	O	
ILP-D-SPC-0012	Support of supportedPosMethods parameter in PRES	ILP 12	O	
ILP-D-SPC-0013	Support of position parameter in PRES	ILP 12	O	
ILP-D-SPC-0014	Support of sPCStatusCode parameter in PRES	ILP 12	O	
ILP-D-SPC-0015	Support of fixNumber parameter in PRPT	ILP 12	O	
ILP-D-SPC-0016	Support of statusCode parameter in PRPT	ILP 12	O	
ILP-D-SPC-0017	Support of multipleLocationIds parameter in PLREQ	ILP 12	O	
ILP-D-SPC-0018	Support of posMethod parameter in PINIT	ILP 12	O	
ILP-D-SPC-0019	Support of requestedAssistData parameter in PINIT	ILP 12	O	
ILP-D-SPC-0020	Support of position parameter in PINIT	ILP 12	O	
ILP-D-SPC-0021	Support of posPayLoad parameter in PINIT	ILP 12	O	
ILP-D-SPC-0022	Support of multipleLocationIds parameter in PINIT	ILP 12	O	
ILP-D-SPC-0023	Support of utran-GPSReferenceTimeResult parameter in PINIT	ILP 12	O	
ILP-D-SPC-0024	Support of utran-GANSSReferenceTimeResult parameter in PINIT	ILP 12	O	
ILP-D-SPC-0025	Support of gnssPosTechnology parameter in PINIT	ILP 12	O	
ILP-D-SPC-0026	Support of sPCSETKeylifetime parameter in PAUTH	ILP 12	O	

Item	Function	Reference	Status	Requirement
ILP-D-SPC-0027	Support of sPCStatusCode parameter in PALIVE	ILP 12	O	
ILP-D-SPC-0028	Support of position parameter in PEND	ILP 12	O	
ILP-D-SPC-0029	Support of statusCode parameter in PEND	ILP 12	O	
ILP-D-SPC-0030	Support of velocity parameter in PMESS	ILP 12	O	
ILP-D-SPC-0031	Support of utran-GPSReferenceTimeAssistance parameter in PMESS	ILP 12	O	
ILP-D-SPC-0032	Support of utran-GPSReferenceTimeResult parameter in PMESS	ILP 12	O	
ILP-D-SPC-0033	Support of utran-GANSSReferenceTimeAssistance parameter in PMESS	ILP 12	O	
ILP-D-SPC-0034	Support of utran-GANSSReferenceTimeResult parameter in PMESS	ILP 12	O	

## Appendix C. Timer Tables

This Section defines the ILP relevant timers. Note that default timer value is informative. As a reference, ULP timers are shown in Appendix C.2.

### C.1 ILP Timers

Timer	Default value	Description	Actions on expiration
LT1	5 sec.	From sending of PREQ to receipt of PRES (successful case) or PEND (error case).	The SLC sends a PEND message to the SPC including a Status Code.
LT2	5 sec.	<p>This timer is only applicable to triggered scenarios.</p> <p>From sending of PLREQ to receipt of PLRES (successful case) or PEND (error case).</p> <p>If PLRES is received after LT2 has expired (and no PEND was sent) and before a new PLREQ has been sent, the SLC SHALL ignore the PLRES. If a new PLREQ is received, the SPC SHALL clear any and all outstanding PLRES it might have stored for delivery and only respond to the latest PLREQ.</p>	<p>Periodic Trigger scenarios: the SLC ignores timer expiration N times consecutively (N configurable) and then sends PEND including Status Code to the SPC.</p> <p>Area Event Triggered scenarios: the SLC sends PEND including Status Code to the SPC.</p>

**Table 52: SLC Timer Values**

Timer	Default value	Description	Actions on expiration
PT1	<p><u>For Network Initiated scenarios:</u></p> <p>For proxy mode non-roaming: PT1 = 11 sec + (optionally) response time in QoS.</p> <p>For proxy mode roaming with V-SLP: PT1 = ST1 + 10 sec.</p> <p>For proxy mode roaming with H-SLP: PT1 = ST2 + ST4 + 10 sec.</p> <p>For non-proxy mode: PT1 = UT4 + 10 sec.</p> <p><u>For SET Initiated scenarios:</u></p> <p>For proxy mode: PT1 = ST1 + 10 sec.</p> <p>For non-proxy mode: PT1 = 11 sec + (optionally) response time in QoS.</p>	<p>This timer is only applicable to immediate scenarios. From sending of PRES to receipt of PINIT (proxy mode) or SUPL POS INIT (non proxy mode) for the successful case or receipt of PEND for the error case.</p>	The SPC sends a PEND message to the SLC including a Status Code.
PT2	5 sec.	<p>From sending of PLREQ to receipt of PLRES (successful case) and PEND (error case).</p> <p>If PLRES is received after PT2 has expired (and no PEND</p>	For immediate scenarios: the SPC MAY either continue or send a PEND message to the SLC.



Timer	Default value	Description	Actions on expiration
		was sent) and before a new PLREQ has been sent, the SPC SHALL ignore the PLRES. If a new PLREQ is received, the SLC SHALL clear any and all outstanding PLRES it might have stored for delivery and only respond to the latest PLREQ.	For triggered periodic scenarios: the SPC continues the flow N times consecutively (N configurable) and MAY then decide to either send PEND to the SLC or to continue the flow.  For triggered area event scenarios: the SPC MAY continue the flow or send PEND to the SLC.

Table 53: SPC Timer Values

## C.2 ULP Timers

This section lists all the timer values used by ULP [SUPL2 ULP TS].

Timer	Default value (sec.)	Description	Actions on expiration
UT1	11	For immediate applications, from sending of SUPL START to receipt of SUPL RESPONSE or SUPL END.  In trigger positioning, from sending of SUPL TRIGGERED START to receipt of SUPL TRIGGERED RESPONSE or SUPL END.	The SET sends SUPL END to the SLP.  The SET clears all session resources at the SET.
UT2	11	From sending of SUPL POS INIT to receipt of first SUPL POS message or receipt of SUPL END message.  UT2 is not needed if the SUPL POS INIT message contains the first SUPL POS element.  For cell id based scenarios, the UT2 will be reset by the SUPL END message. The SUPL END message is sent from the SLP to the SET after the SET sent a SUPL POS INIT message containing the lid to the SLP.	For immediate applications the SET sends SUPL END to the SLP and clears all session resources.  For triggered applications, the SET skips the SUPL POS session and continues the triggered session.
UT3	10	From sending of the last SUPL POS message to receipt of SUPL END, SUPL REPORT or SUPL NOTIFY.  In cases where there is no SUPL POS message sent from SET, timer UT3 is not used.	For immediate applications, the SET sends SUPL END to the SLP and clears all session resources.  For triggered applications, the SET continues the triggered session.
UT4	10	Only applicable to non-proxy mode.  From sending of SUPL AUTH REQ to receipt of SUPL AUTH RESP message.	The SET sends SUPL END to the SLP.  The SET clears all session resources.
UT5	10	Only applicable to “notification based on location” scenarios.  From sending of SUPL NOTIFY RESPONSE to receipt of SUPL END.	The SET sends SUPL END to the SLP.  The SET clears all session resources.
UT6	10	Only applicable to “notification based on location” in non-proxy mode scenarios.  From sending of SUPL REPORT to receipt of SUPL NOTIFY or SUPL END.	The SET sends SUPL END to the SLP.  The SET clears all session resources.
UT7	10	Only applicable to triggered scenarios.  From sending of SUPL TRIGGERED STOP to receipt of SUPL END.	The SET sends SUPL END to the SLP.  The SET clears all session resources.

Table 54: SET Timer Values

Timer	Default value (sec.)	Description	Actions on expiration
ST1	Proxy: 10 Non-proxy: 50+ (optionally) response time in QoP	For proxy mode: from sending of SUPL RESPONSE to receipt of SUPL POS INIT.  For non-proxy mode: from sending of SUPL RESPONSE to receipt of the notification (internal communication between SPC and SLC) that SUPL END has been sent to the SET.	For proxy: Send SUPL END to SET Clear session resources at SLP  For non-proxy: Internal communication is used to send SUPL END to SET Clear session resources at SLC/SLP
ST2	Proxy: 10 Non-proxy: 50+ (optionally) response time in QoP	For proxy mode: from sending of SUPL INIT to receipt of SUPL POS INIT.  For non-proxy mode: from sending SUPL INIT to (a) receipt of notification (internal communication between SPC and SLC) that SUPL POS INIT has been received or (b) receipt of RLP-SSRP(SUPL END) from V-SLP.	For non-roaming scenario: Send MLP-SLIA to SUPL agent  For roaming scenario: Send RLP-SRLIA to R-SLP  For proxy: Clear session resources at SLP  For non-proxy: Clear session resources at SLC
ST3	10	From sending of RLP-SSRLIR(SUPL START) to receipt of RLP-SSRLIA(SUPL RESPONSE)	For network initiated scenario: Send RLP-SRLIA to R-SLP Clear session resources at SLP  For SET initiated scenario: Send SUPL END to SET Clear session resources at SLP
ST4	10	From sending of RLP-SSRLIR(msid, lid) to receipt of RLP-SSRLIA(msid, posresult)	For network initiated scenario: Send SUPL END to SET Send RLP-SRLIA to R-SLP Clear session resources at SLP  For SET initiated scenario: Send SUPL END to SET Clear session resources at SLP
ST5	10	Only applicable to “notification based on location” scenarios.  From sending SUPL NOTIFY to receipt of SUPL NOTIFY RESPONSE.	Send SUPL END to SET. Clear session resources at SLP.

**Table 55: SLP Timer Values**

Timer	Default value (sec.)	Description	Actions on expiration
RT1	21+ (optionally) response time in QoP	From sending of RLP SRLIR (msid, client-id, QoP) to receipt of RLP SSRLIA (posresult).	Send MLP SLIA(posresult) to the SUPL Agent.

**Table 56 RLP Timer Values**