



XML Document Management Architecture

Approved Version 2.1 – 03 Apr 2012

Open Mobile Alliance
OMA-AD-XDM-V2_1-20120403-A

Use of this document is subject to all of the terms and conditions of the Use Agreement located at <http://www.openmobilealliance.org/UseAgreement.html>.

Unless this document is clearly designated as an approved specification, this document is a work in process, is not an approved Open Mobile Alliance™ specification, and is subject to revision or removal without notice.

You may use this document or any part of the document for internal or educational purposes only, provided you do not modify, edit or take out of context the information in this document in any manner. Information contained in this document may be used, at your sole risk, for any purposes. You may not use this document in any other manner without the prior written permission of the Open Mobile Alliance. The Open Mobile Alliance authorizes you to copy this document, provided that you retain all copyright and other proprietary notices contained in the original materials on any copies of the materials and that you comply strictly with these terms. This copyright permission does not constitute an endorsement of the products or services. The Open Mobile Alliance assumes no responsibility for errors or omissions in this document.

Each Open Mobile Alliance member has agreed to use reasonable endeavors to inform the Open Mobile Alliance in a timely manner of Essential IPR as it becomes aware that the Essential IPR is related to the prepared or published specification. However, the members do not have an obligation to conduct IPR searches. The declared Essential IPR is publicly available to members and non-members of the Open Mobile Alliance and may be found on the “OMA IPR Declarations” list at <http://www.openmobilealliance.org/ipr.html>. The Open Mobile Alliance has not conducted an independent IPR review of this document and the information contained herein, and makes no representations or warranties regarding third party IPR, including without limitation patents, copyrights or trade secret rights. This document may contain inventions for which you must obtain licenses from third parties before making, using or selling the inventions. Defined terms above are set forth in the schedule to the Open Mobile Alliance Application Form.

NO REPRESENTATIONS OR WARRANTIES (WHETHER EXPRESS OR IMPLIED) ARE MADE BY THE OPEN MOBILE ALLIANCE OR ANY OPEN MOBILE ALLIANCE MEMBER OR ITS AFFILIATES REGARDING ANY OF THE IPR'S REPRESENTED ON THE “OMA IPR DECLARATIONS” LIST, INCLUDING, BUT NOT LIMITED TO THE ACCURACY, COMPLETENESS, VALIDITY OR RELEVANCE OF THE INFORMATION OR WHETHER OR NOT SUCH RIGHTS ARE ESSENTIAL OR NON-ESSENTIAL.

THE OPEN MOBILE ALLIANCE IS NOT LIABLE FOR AND HEREBY DISCLAIMS ANY DIRECT, INDIRECT, PUNITIVE, SPECIAL, INCIDENTAL, CONSEQUENTIAL, OR EXEMPLARY DAMAGES ARISING OUT OF OR IN CONNECTION WITH THE USE OF DOCUMENTS AND THE INFORMATION CONTAINED IN THE DOCUMENTS.

© 2012 Open Mobile Alliance Ltd. All Rights Reserved.

Used with the permission of the Open Mobile Alliance Ltd. under the terms set forth above.

Contents

| | |
|--|----|
| 1. SCOPE (INFORMATIVE) | 4 |
| 2. REFERENCES | 5 |
| 2.1 NORMATIVE REFERENCES | 5 |
| 2.2 INFORMATIVE REFERENCES | 6 |
| 3. TERMINOLOGY AND CONVENTIONS | 7 |
| 3.1 CONVENTIONS | 7 |
| 3.2 DEFINITIONS | 7 |
| 3.3 ABBREVIATIONS | 9 |
| 4. INTRODUCTION (INFORMATIVE) | 10 |
| 4.1 VERSION 1.1 | 10 |
| 4.2 VERSION 2.0 | 10 |
| 4.2.1 Version 2.1 | 10 |
| 5. ARCHITECTURAL MODEL | 12 |
| 5.1 DEPENDENCIES | 12 |
| 5.2 ARCHITECTURAL DIAGRAM | 12 |
| 5.3 FUNCTIONAL COMPONENTS AND INTERFACES/REFERENCE POINTS DEFINITION | 13 |
| 5.3.1 XDM Functional Entities | 13 |
| 5.3.2 External Functional Entities Providing Services to XDM | 19 |
| 5.3.3 Description of XDM Reference Points | 19 |
| 5.3.4 External Reference Points Providing Services to XDM | 21 |
| 5.4 DESCRIPTION OF INTERFACES | 22 |
| 5.4.1 XDM Interfaces | 22 |
| 5.4.2 External Interfaces used by the XDM Enabler | 25 |
| 5.5 SECURITY CONSIDERATIONS | 25 |
| 6. BACKWARD COMPATIBILITY | 26 |
| 6.1 BACKWARD COMPATIBILITY TOWARDS THE XDM 2.0 VERSION | 26 |
| APPENDIX A. CHANGE HISTORY (INFORMATIVE) | 27 |
| A.1 APPROVED VERSION HISTORY | 27 |
| APPENDIX B. HOW TO SHOW RE-USE OF THE XDM ENABLER (INFORMATIVE) | 28 |
| APPENDIX C. XDM SERVICE PROVISIONING | 29 |
| APPENDIX D. USE OF CHARGING ENABLER FOR XDM CHARGING (INFORMATIVE) | 30 |

Figures

| | |
|--|----|
| Figure 1: XDM Architecture using Reference Points | 12 |
| Figure 2: XDM Architecture using Interfaces | 13 |
| Figure 3: How to show reuse of the XDM Enabler. | 28 |
| Figure 4: XDM Enabler Use of the Charging Enabler's CH-1 and CH-2 Interfaces | 30 |

1. Scope

(Informative)

This document defines the architecture for the OMA XML Data Management (XDM) Enabler Release 2.1. It details the architectural model of the XDM Enabler and introduces its functionality.

2. References

2.1 Normative References

- [3GPP2-X.S0013-000] 3GPP2 X.S0013-000 “All-IP Core Network Multimedia Domain: Overview”,
URL: http://www.3gpp2.org/Public_html/specs/index.cfm
- [3GPP2-X.S0013-002] 3GPP2 X.S0013-002 “All-IP Core Network Multimedia Domain: IP Multimedia Subsystem - Stage 2”,
URL: http://www.3gpp2.org/Public_html/specs/index.cfm
- [3GPP-TS_23.002] 3GPP TS 23.002 “Network architecture”,
URL: http://www.3gpp.org/ftp/Specs/archive/23_series/23.002/
- [3GPP-TS_23.228] 3GPP TS 23.228 “IP Multimedia Subsystem (IMS); Stage 2”,
URL: http://www.3gpp.org/ftp/Specs/archive/23_series/23.228/
- [Charging_AD] “Charging Architecture”, Version 1.0, Open Mobile Alliance™, OMA-AD-Charging-V1_0,
URL: <http://www.openmobilealliance.org/>
- [Dict] “Dictionary for OMA Specifications”, Version 2.7, Open Mobile Alliance™, OMA-ORG-Dictionary-V2_7,
URL: <http://www.openmobilealliance.org/>
- [DM_ERELD] “Enabler Release Definition for OMA Device Management”, Version 1.2, Open Mobile Alliance™, OMA-ERELD-DM-V1_2,
URL: <http://www.openmobilealliance.org/>
- [DM_SO] “OMA Device Management Standardized Objects”, Version 1.2, Open Mobile Alliance™, OMA-TS-DM-StdObj-V1_2,
URL: <http://www.openmobilealliance.org/>
- [OMA_Push] “Enabler Release Definition for Push”, Version 2.2, Open Mobile Alliance™, OMA-ERELD-Push-V2_2,
URL: <http://www.openmobilealliance.org/>
- [OSE_AD_V1_0] “OMA Service Environment”, Version 1.0, Open Mobile Alliance™, OMA-AD-Service-Environment-V1_0,
URL: <http://www.openmobilealliance.org/>
- [Push_AD-V2_2] “Push Architecture” Version 2.2, Open Mobile Alliance™, OMA-AD-Push-V2_2,
URL: <http://www.openmobilealliance.org/>
- [RFC2119] IETF RFC 2119 “Key words for use in RFCs to Indicate Requirement Levels”, S. Bradner, March 1997,
URL: <http://www.ietf.org/rfc/rfc2119.txt>
- [RFC4662] IETF RFC 4662 “A Session Initiation Protocol (SIP) Event Notification Extension for Resource Lists”, A. B. Roach, B. Campbell, J. Rosenberg, August 2006,
URL: <http://www.ietf.org/rfc/rfc4662.txt>
- [SEC_CF-V1_0] “Security Common Functions Architecture”, Version 1.0, Open Mobile Alliance™, OMA-ERELD-SEC_CF-V1_0,
URL: <http://www.openmobilealliance.org/>
- [XDM_AD-V2_0] “XML Document Management Architecture”, Version 2.0, Open Mobile Alliance™, OMA-AD-XDM-V2_0,
URL: <http://www.openmobilealliance.org/>
- [XDM_ERELD-V2_0] “Enabler Release Definition for XML Document Management”, Version 2.0, Open Mobile Alliance™, OMA-ERELD-XDM-V2_0,
URL: <http://www.openmobilealliance.org/>
- [XDM_RD] “XML Document Management Requirements”, Version 2.1, Open Mobile Alliance™, OMA-RD-XDM-V2_1,
URL: <http://www.openmobilealliance.org/>

3GPP

IETF

OMA

2.2 Informative References

- [3GPP-TS_33.222] 3GPP TS 33.222 “Generic Authentication Architecture (GAA); Access to network application functions using Hypertext Transfer Protocol over Transport Layer Security (HTTPS)”,
URL: http://www.3gpp.org/ftp/Specs/archive/33_series/33.222/
- [PoC_XDM] "OMA PoC Document Management", Version 1.0, Open Mobile Alliance™,
OMA-TS-PoC_Document_Management-V1_0,
URL: <http://www.openmobilealliance.org/>
- [RFC3324] IETF RFC 3324 “Short Term Requirements for Network Asserted Identity”, M. Watson, November 2002,
URL: <http://www.ietf.org/rfc/rfc3324.txt>
- [RFC4825] IETF RFC 4825 “The Extensible Markup Language (XML) Configuration Access protocol (XCAP)”, J. Rosenberg, May 2007,
URL: <http://www.ietf.org/rfc/rfc4825.txt>
- [W3C-XQUERY] W3C Recommendation “XQuery 1.0: An XML Query Language”, Scott Boag et al., Jan 2007, World Wide Web Consortium (W3C),
URL: <http://www.w3.org/TR/xquery>

3GPP

IETF

OMA

Others

3. Terminology and Conventions

3.1 Conventions

The key words “MUST”, “MUST NOT”, “REQUIRED”, “SHALL”, “SHALL NOT”, “SHOULD”, “SHOULD NOT”, “RECOMMENDED”, “MAY”, and “OPTIONAL” in this document are to be interpreted as described in [RFC2119].

All sections and appendixes, except “Scope” and “Introduction”, are normative, unless they are explicitly indicated to be informative.

3.2 Definitions

| | |
|--|--|
| Access Permissions | Use definition from [XDM_RD]. |
| Access Permissions Document | An XDM Document containing Access Permissions. |
| Access Permissions List | A list of XDM resources that the Primary Principal has permission to access. |
| Access Permissions List Document | An XDM Document containing Access Permissions Lists. |
| Aggregation Proxy | An XDM functional entity as described in section 5.3.1.2 “ <i>Aggregation Proxy</i> ”. |
| Alias Principal | Use definition from [XDM_RD]. |
| Alias Principals List Document | An XDM Document containing information about a Primary Principal’s Alias Principals. |
| Chargeable Event | Use definition from [Dict]. |
| Cross-Network Proxy | An XDM functional entity as described in section 5.3.1.5 “ <i>Cross-Network Proxy</i> ”. |
| Document Reference | A function to access content in an XDM Document by a reference. |
| Client | Use definition from [Dict]. |
| Enabler | Use definition from [Dict]. |
| Enabler Release | Use definition from [Dict]. |
| Extended Group Advertisements | Use definition from [XDM_RD]. |
| Forwarding Notification List | A list containing the details of Forward Requests received from other Principals and also the status of the Forward Requests sent to other Principals. |
| Forwarding Notification List Document | An XDM Document containing Forward Notification Lists. |
| Forward Request | An XDCCP Request for forwarding the XDM Resources to other Principals. |
| Group | Use definition from [XDM_RD]. |
| Group Document | Use definition from [XDM_RD]. |
| Group Usage List Document | Use definition from [XDM_RD]. |
| Group XDMS | An XDM functional entity as described in section 5.3.1.8 “ <i>Group XDMS</i> ”. |
| History Information | The information containing the details of XDM Operations performed on a particular XDM Document. |
| I2 Interface | Use definition from [OSE_AD_V1_0]. |
| Interface | Use definition from [Dict]. |
| Limited XQuery over HTTP | The subset of XQuery functions that are used in OMA XDM Search requests. |
| List XDMS | An XDM functional entity as described in section 5.3.1.7 “ <i>List XDMS</i> ”. |

| | |
|--|--|
| Locked User Profile Document | An XDM Document that contains the User Profile maintained by the Service Provider. |
| Management Object | Use definition from [DM_SO]. |
| Policy XDMS | An XDM functional entity as described in section 5.3.1.10 “ <i>Policy XDMS</i> ”. |
| Primary Principal | Use definition from [XDM_RD]. |
| Principal | Use definition from [Dict]. |
| Profile XDMS | An XDM functional entity as described in section 5.3.1.9 “ <i>Profile XDMS</i> ”. |
| Push Enabled Application | Use definition from [Push_AD-V2_2]. |
| Push Enabler | OMA enabler defined in [OMA_Push]. |
| Push Initiator | Use definition from [Push_AD-V2_2]. |
| Push Messages | Use definition from [Push_AD-V2_2]. |
| Reference Point | Use definition from [Dict]. |
| Remote Network | A network where a requesting Principal is not a Subscriber. |
| Search Proxy | An XDM functional entity as described in section 5.3.1.4 “ <i>Search Proxy</i> ”. |
| Subscriber | Use definition from [Dict]. |
| Subscription Proxy | An XDM functional entity as described in section 5.3.1.3 “ <i>Subscription Proxy</i> ”. |
| Trusted Network | A network that consists of elements that are trusted (i.e. are not required to authenticate themselves). It corresponds to the definition of ‘Trust Domain’ as defined in [RFC3324]. |
| UPP Directory Document | Use definition from [XDM_RD]. |
| UPP Directory XDMS | An XDM functional entity as described in section 5.3.1.11 “ <i>UPP Directory XDMS</i> ”. |
| URI List Document | Use definition from [XDM_RD]. |
| User Access Policy Document | Use definition from [XDM_RD]. |
| User Profile | Use definition from [XDM_RD]. |
| User Profile Document | An XDM Document containing a User Profile. |
| XDCP Request | A request to perform an XDCP operation. |
| XDM Agent | An XDM functional entity as described in section 5.3.1.13 “ <i>XDM Agent</i> ”. |
| XDM Differential | A format that conveys changes to an XDM Document. |
| XDM Document | Use definition from [XDM_RD]. |
| XDM Document Part | Use definition from [XDM_RD]. |
| XDM Resource | Use definition from [XDM_RD]. |
| XDM Resource Subscription List Document | An XDM Document used to store a list of a Primary Principal’s XDM Resource subscription information for document changes. |
| XDM Search | A Limited XQuery over HTTP protocol used to search the XML Resource located in any XDMS. |
| XDMC | An XDM functional entity as described in section 5.3.1.1 “ <i>XDMC</i> ”. |
| XDMS | An XDM functional entity as described in section 5.3.1.6 “ <i>XDMSs</i> ”. |
| XDMSs | A logical entity to group XDMSs as described in section 5.3.1.6 “ <i>XDMSs</i> ”. |
| XML Document Command Protocol | An HTTP based protocol used to issue commands related to XDM Resource processing, which does not include XCAP and XDM Search. |

3.3 Abbreviations

| | |
|---------------|---|
| CPM | Converged IP Messaging |
| DM | Device Management |
| GAA | Generic Authentication Architecture |
| HTTP | Hyper Text Transfer Protocol |
| IETF | Internet Engineering Task Force |
| IM | Instant Messaging |
| IP | Internet Protocol |
| OMA | Open Mobile Alliance |
| PoC | Push to talk over Cellular |
| SIC | SIP/IP Core |
| SIMPLE | SIP for Instant Messaging and Presence Leveraging Extension |
| SIP | Session Initiation Protocol |
| TLS | Transport Layer Security |
| UE | User Equipment |
| UPP | User Preferences Profile |
| XCAP | XML Configuration Access Protocol |
| XDCP | XDM Command Protocol |
| XDM | XML Document Management |
| XDMC | XML Document Management Client |
| XDMS | XML Document Management Server |
| XML | Extensible Markup Language |
| XQuery | XML Query |

4. Introduction (Informative)

Architecture Document describes the features and architecture of the OMA XDM enabler.

4.1 Version 1.1

The XDM Enabler defines a common mechanism that makes user-specific service-related information accessible to the Enablers that need it. XDM specifies how such information is represented in well-structured XML documents, as well as the common protocol for access and manipulation (e.g. create, modify, delete, etc.) of such XML documents.

The XDM Specification [XDM_Core] defines the features of the XDM Enabler, which include the following:

- The common protocol, XCAP [RFC4825], by which Principals can store and manipulate their service-related data, stored in a network as XML documents.

Documents accessed and manipulated via XCAP are stored in logical repositories in the network, called XDMSs. Each repository may be associated with a functional entity which uses its data to perform its functions.

Each XML document stored in an XDMS is described as an Application Usage, which enables applications to use the document via XCAP. The XDM Enabler describes Application Usages which can be reused by multiple Enablers and are stored in logical entities called Shared XDMSs. The documents defined by the XDM V1.1 Enabler are as follows:

- URI List and Group Usage List Documents stored in the Shared XDMS.

4.2 Version 2.0

The XDM V2.0 Enabler defines new functionalities that extend XDM to support the OMA SIMPLE IM V1.0 and PoC V2.0 Enablers.

To accommodate the needs of these Enablers, the following functionalities are added in XDM V2.0:

- Search for information in XDM Documents stored in an XDMS;
- Network to Network Interface to enable search and retrieval of information across multiple domains; and
- The SIP subscription/notification mechanism by which Principals can be notified of changes to XDM Documents or XDM Document Parts.

XDM V2.0 inherits the Shared XDMS from XDM V1.0, but renames it as the Shared List XDMS to accommodate several new documents that are stored in separate Shared XDMS logical entities:

- Group Documents stored in the Shared Group XDMS;
- User Access Policy Documents stored in the Shared Policy XDMS; and
- User Profile Documents stored in the Shared Profile XDMS.

The Group and User Access Policy Document structures are based on those of the PoC Group and PoC User Access Policy XDM Documents [PoC_XDM], respectively. The XDM V2.0 Enabler defines how to handle backwards compatibility with the PoC V1.0 Enabler when the Shared Group XDMS and Shared Policy XDMS are introduced in the network.

4.2.1 Version 2.1

The XDM V2.1 Enabler defines new functionality that extends XDM To address the requirements derived from other OMA Enablers (i.e. OMA CPM 1.0, OMA CAB 1.0 and OMA POC 2.1).

The following functionality is added in XDM V2.1:

- an HTTP POST based protocol, XDCCP, enabling additional XDM Resource operations:
 - XDM Document Reference
 - XDM Forward
 - XDM Differential read and write
 - Subscription to XDM Document Changes
 - Restore;
- Support for Alias Principal;
- Notification of changes in XDM Documents using OMA Push Enabler;
- Access Permissions to XDM Resources;
- XDM Document history and restore; and
- User preference profiles.

All “Shared xyz XDMS”s defined by the XDM Enabler are renamed to “xyz XDMS”.

NOTE: XDM V2.1 inherits the Shared List XDMS, Shared Group XDMS, Shared Profile XDMS and Shared Policy XDMS from XDM V2.0, but renames them as the List XDMS, Group XDMS, Profile XDMS and Policy XDMS.

5. Architectural Model

The XDM Enabler defines a common mechanism that makes user-specific service-related information accessible to Enablers that need it.

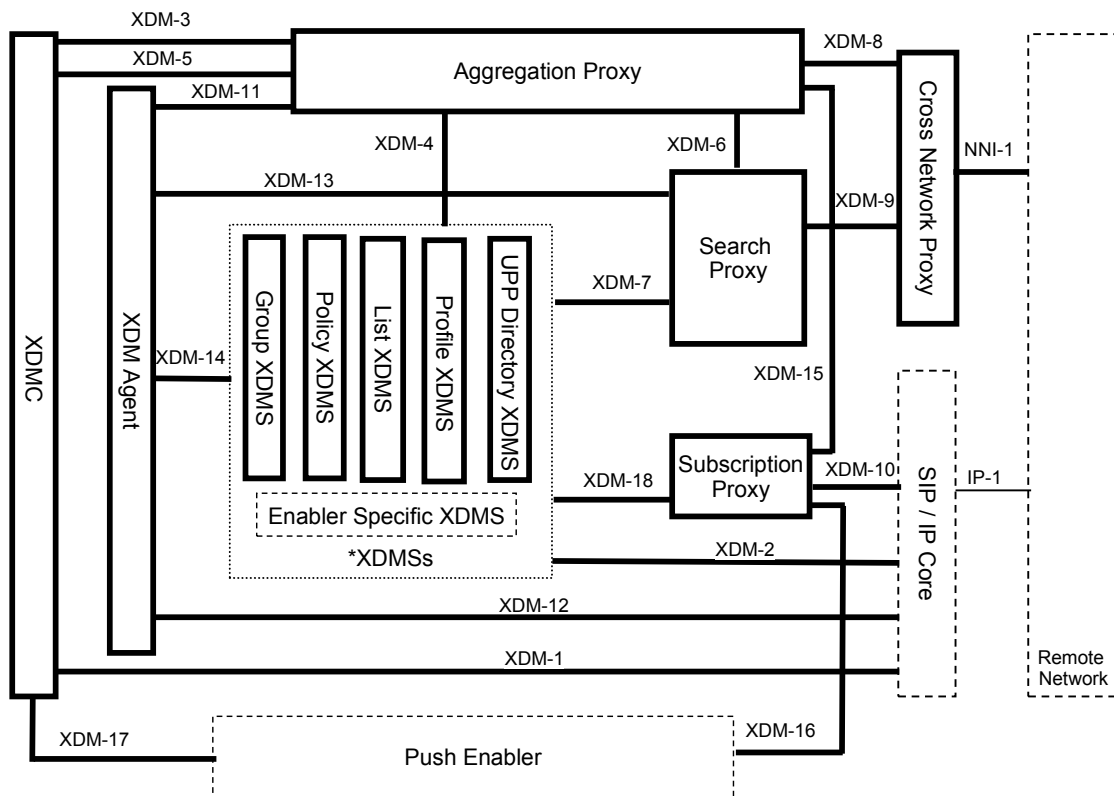
The architecture model is based on the requirements defined in [XDM_RD].

5.1 Dependencies

The XDM Enabler depends on the following external functional entities:

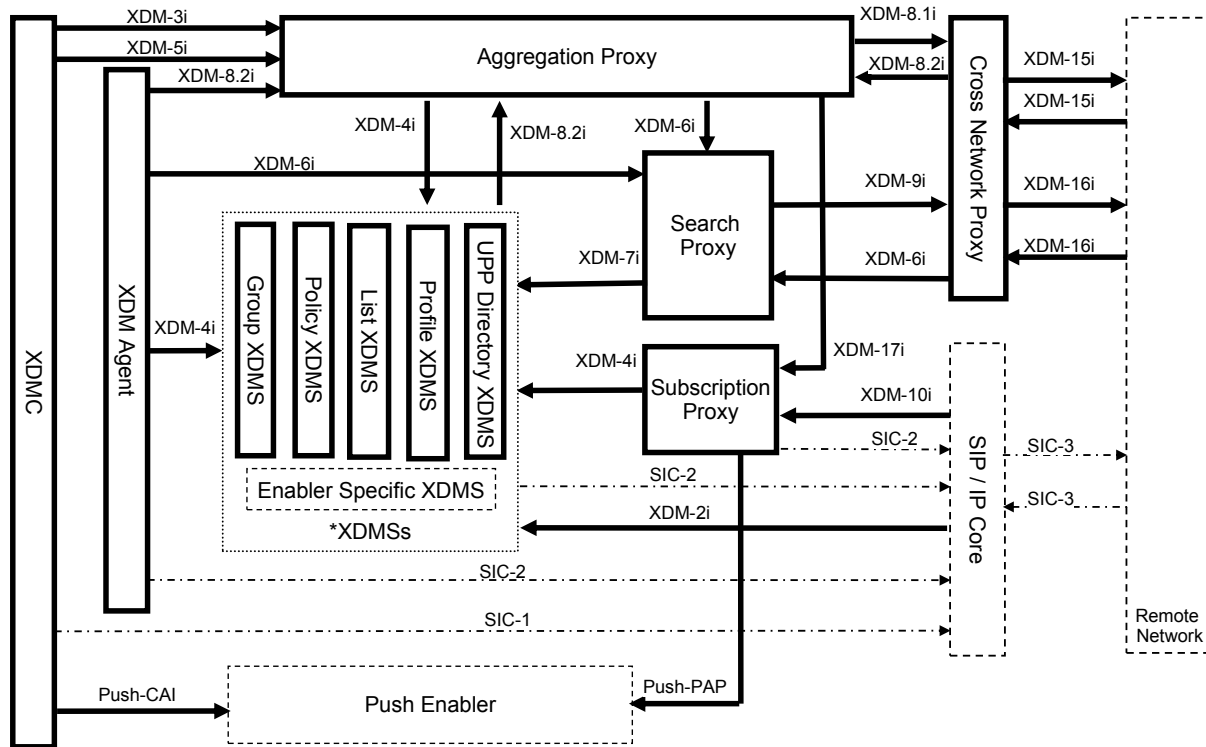
- SIP/IP Core and;
- Device Management Enabler [DM_ERELD].

5.2 Architectural Diagram



Dashed Boxes are not specified by the XDM enabler.
 *XDMSs is a logical entity to map XDMSs together for simplification

Figure 1: XDM Architecture using Reference Points



Chain dashed line are used for I2 Interfaces reused by the XDM Enabler
 Dashed Boxes are not specified by the XDM Enabler
 *XDMs is a logical entity to map XDMs together for simplification

Figure 2: XDM Architecture using Interfaces

5.3 Functional Components and Interfaces/Reference Points definition

5.3.1 XDM Functional Entities

5.3.1.1 XDMC

The XDMC is a Client used by a Principal to access various XDM functions described in Section 5.3.1.6 "XDMs". An XDMC implementation may provide access to various subsets of those XDM functions, as required, subject to mandatory requirements. An XDMC may also act as a Push-Enabled Application as specified in [Push_AD-V2_2]. The XDMC may be implemented in both terminal and server entities. The XDMC uses XDM Interfaces that require authentication. The XDMC is typically deployed outside of Trusted Networks

5.3.1.2 Aggregation Proxy

The Aggregation Proxy is the single contact point for XDMCs to access XDM Resources stored in any XDM. The Aggregation Proxy performs the following functions:

- Performs authentication of the XDMC. Alternatively, authentication can be enforced by other entities (e.g. according to [SEC_CF-V1_0]);

- Receives and routes individual XCAP requests to the correct XDMS or to the Cross-Network Proxy;
- Receives and routes individual search requests to the Search Proxy;
- Receives and routes individual XDCP requests to appropriate XDM entity;
- Optionally performs compression/decompression according to the Service Provider's local policy;
- Optionally supports secure data transfer between the Aggregation Proxy and the XDMC, (e.g. TLS) according to the Service Provider's local policy.

5.3.1.3 Subscription Proxy

The Subscription Proxy is the contact point for the XDMC and XDM Agent to subscribe for notification of changes in XDM Resources stored in any XDMS. The Subscription Proxy supports the following functions:

- Receives subscriptions for notification of changes in XDM Resources stored in any XDMS;
- Performs back-end subscriptions for notification of changes in XDM Resources in a particular XDMS;
- Maps XDM Resources to SIP addresses of appropriate XDMSs;
- Receives notifications from XDMS, and aggregates them prior to sending them to the XDMC or XDM Agent;
- Sends aggregated notifications to the XDMC or XDM Agent via SIP/IP Core for SIP based subscriptions.
- Sends aggregated notifications to the XDMC via Push Enabler for XDCP based subscriptions.

5.3.1.4 Search Proxy

The Search Proxy is a server entity that performs the following functions:

- Receives search requests;
- Forwards search requests to a single or multiple instances of the XDMS and/or to the Cross-Network Proxy when appropriate;
- Receives search responses from a single or multiple instances of the XDMS and/or from the Cross-Network Proxy when appropriate;
- Combines search results from a single or multiple instances of the XDMS and/or also from the Cross-Network Proxy before sending responses to the XDMC or XDM Agent;
- Sends search responses to the XDMC or XDM Agent.

5.3.1.5 Cross-Network Proxy

The Cross-Network Proxy is the single contact point for XDM entities located in different networks to communicate over trusted connection. The Cross-Network Proxy performs the following functions:

- Performs authentication of the remote network. Alternatively the authentication can be enforced by the underlying transport network;
- Performs authorization of the remote network;
- Receives and routes individual outgoing XCAP requests to the Cross-Network Proxy of the remote network;
- Receives and routes individual outgoing search requests to the Cross-Network Proxy of the remote network;
- Receives and routes individual outgoing XDCP requests to the Cross-Network Proxy of the remote network;

- Receives and routes individual incoming XCAP requests to the Aggregation Proxy;
- Receives and routes individual incoming search requests to the Search proxy;
- Receives and routes individual incoming XDCCP requests to the Aggregation Proxy;
- Optionally performs compression/decompression according to the Service Provider's local policy;
- Optionally support secure data transfer between Cross-Network Proxies using (e.g. TLS) according to the Service Provider's local policy.

5.3.1.6 XDMSs

XDMS is a server entity which manages XDM Documents. The XDM Enabler defines five kinds of predefined XDMSs: List XDMS, Group XDMS, Profile XDMS, Policy XDMS and UPP Directory XDMS. Other OMA Enablers may define Enabler specific XDMS.

Different kinds of XDMSs manage different kinds of XDM Documents. Application Usages supported by the specific XDMS define what kinds of XDM Documents it manages.

XDMSs may support all or some of the following common functionality:

5.3.1.6.1 Document Management

In order to support document management an XDMS provides the following functionality:

- Provides storage for the content of XDM Documents and other data structures used for document management (e.g. directory structure required by Application Usages, Access Permissions Documents, etc.);
- Performs authorisation of XDCCP and XCAP requests.

5.3.1.6.2 Subscription and Notification of XDM Resource Changes

In order to support subscriptions and notifications of changes an XDMS provides the following functionality:

- Performs authorisation of incoming subscriptions to XDM Resource changes;
- Notifies subscribers of changes in XDM Resources;
- Provides aggregation of notifications of changes to multiple XDM Resources.

5.3.1.6.3 Access Permissions

In order to support Access Permissions an XDMS provides the following functionality:

- Manages and supports content of Access Permissions XDM Resources associated with managed XDM Resources;
- Enforces Access Permissions for the managed XDM Resources and ensures the validity of the resulting subsets of XDM Documents and consistency of XML node addressing between those subsets and original XDM Documents;
- Updates authorised Principals' Access Permissions List Documents in case of a change in Access Permissions for Primary Principal's XDM Documents.

5.3.1.6.4 Search

In order to support searching of XDM Documents an XDMS provides the following functionality:

- Receives search requests;
- Provides search results.

5.3.1.6.5 History and Restore

In order to support history and restore features an XDMS provides the following functionality:

- Records operations and the information about the operations performed on managed XDM Documents based on the preferences set by the user;
- Restores managed XDM Documents back to one of their previous versions.

5.3.1.6.6 Document Reference

In order to support XDM Document Reference an XDMS provides the following functionality:

- Management of the references.

5.3.1.6.7 Forwarding

In order to support forwarding of XDM Resources an XDMS provides the following functionality:

- Receives forwarding requests;
- Forwards the requested XDM Resources to specified recipients.

5.3.1.6.8 Differential Read and Write

In order to support Differential Read and Write an XDMS provides the following functionality:

- Supports XDM Differential write request to modify XDM Document Parts with a single modify request;
- Supports XDM Differential read request to retrieve XDM Document Parts by obtaining the changes to the XDM Document, as opposed to obtaining the entire XDM Document.

5.3.1.7 List XDMS

The List XDMS manages and supports the following kinds of XDM Documents:

- URI List Documents;
- Group Usage List Documents;
- Access Permissions List Documents;
- Forwarding Notification List Documents;
- Alias Principals List Documents; and
- XDM Resource Subscription List Document.

The List XDMS supports the following functions:

- Document Management as described in 5.3.1.6.1;

- Subscription and Notification of XDM Resource Changes as described in 5.3.1.6.2;
- Access Permissions as described in 5.3.1.6.3;
- History and Restore as described in 5.3.1.6.5;
- Document Reference as described in 5.3.1.6.6;
- Forwarding as described in 5.3.1.6.7.

5.3.1.8 Group XDMS

The Group XDMS manages and supports the following kinds of XDM Documents:

- Group Documents.

The Group XDMS supports the following functions:

- Document Management as described in 5.3.1.6.1;
- Subscription and Notification of XDM Resource Changes as described in 5.3.1.6.2;
- Access Permissions as described in 5.3.1.6.3;
- Search as described in 5.3.1.6.4;
- History and Restore as described in 5.3.1.6.5;
- Document Reference as described in 5.3.1.6.6;
- Forwarding as described in 5.3.1.6.7;
- Supports Extended Group Advertisements.

5.3.1.9 Profile XDMS

The Profile XDMS manages and supports the following kinds of XDM Documents:

- User Profile Documents;
- Locked User Profile Documents.

The Profile XDMS supports the following functions:

- Document Management as described in 5.3.1.6.1;
- Subscription and Notification of XDM Resource Changes as described in 5.3.1.6.2;
- Access Permissions as described in 5.3.1.6.3;
- Search as described in 5.3.1.6.4;
- History and Restore as described in 5.3.1.6.5;
- Document Reference as described in 5.3.1.6.6;
- Forwarding as described in 5.3.1.6.7.

5.3.1.10 Policy XDMS

The Policy XDMS manages and supports the following XDM Documents:

- User Access Policy Documents;
- Subscriber defined User Access Policy Documents.

The Policy XDMS supports the following functions:

- Document Management as described in 5.3.1.6.1
- Subscription and Notification of XDM Resource Changes as described in 5.3.1.6.2;
- Access Permissions as described in 5.3.1.6.3;
- History and Restore as described in 5.3.1.6.5;
- Document Reference as described in 5.3.1.6.6;
- Forwarding as described in 5.3.1.6.7.

5.3.1.11 UPP Directory XDMS

The UPP Directory XDMS manages and supports the following XDM Documents:

- UPP Directory Documents.

The UPP XDMS supports the following functions:

- Document Management as described in 5.3.1.6.1;
- Subscription and Notification of XDM Resource Changes as described in 5.3.1.6.2;
- Access Permissions as described in 5.3.1.6.3;
- History and Restore as described in 5.3.1.6.5;
- Document Reference as described in 5.3.1.6.6.

5.3.1.12 Enabler specific XDMS

The Enabler specific XDMS manages and support XDM Resources specific to the service enabler. The enabler specific XDMS may support parts or all of the following functions:

- Document Management as described in 5.3.1.6.1;
- Subscription and Notification of XDM Resource Changes as described in 5.3.1.6.2;
- Access Permissions as described in 5.3.1.6.3;
- Search as described in 5.3.1.6.4;
- History and Restore as described in 5.3.1.6.5;
- Document Reference as described in 5.3.1.6.6;

- Forwarding as described in 5.3.1.6.7;
- Enabler specific XDMS functions.

5.3.1.13 XDM Agent

The XDM Agent is an XDM entity acting on behalf of Application Server Users as a Client within the Trusted Networks. The XDM Agent uses XDM Interfaces that do not require authentication. An XDM Agent implementation may provide access to various XDMS functions described in Section 5.3.1.6 "XDMSs.

5.3.2 External Functional Entities Providing Services to XDM

5.3.2.1 SIP/IP Core

The SIP/IP Core is a network of servers, such as proxies and/or registrars, which perform a variety of services in support of the XDM Service, such as routing, authentication, compression, etc. The specific features offered by different types of SIP/IP Core networks will depend on the particulars of those networks.

When the SIP/IP Core is realized using IMS, the OMA XDMSs utilizes the capabilities of IMS as specified in 3GPP [3GPP-TS_23.228] and 3GPP2 [3GPP2-X.S0013-002], respectively. In such cases the SIP/IP Core performs the following additional functions in support of the XDM Service:

- Routes the SIP signalling between the XDMC or XDM Agent, Subscription Proxy and the XDMSs;
- Provides discovery and address resolution services;
- Supports SIP compression;
- Performs a certain type of authorization of the XDMC based on user's service profile;
- Maintains the registration state;
- Provides charging information.

5.3.2.2 Push Enabler

The Push Enabler Performs the following functions:

- Sends Push Messages from a Push Initiator to a Push Enabled Application as specified in [Push_AD-V2_2].

5.3.3 Description of XDM Reference Points

5.3.3.1 Reference Point XDM-1: XDMC – SIP/IP Core

The XDM-1 Reference Point supports the communication between the XDMC and the SIP/IP Core network.

The XDM-1 Reference Point consists of the SIC-1 Interface (see section 5.4.2.1).

5.3.3.2 Reference Point XDM-2: XDMSs – SIP/IP-Core

The XDM-2 Reference Point supports the communication between the XDMSs (i.e. Profile XDMS, Group XDMS, Policy XDMS, List XDMS, UPP directory XDMS and Enabler specific XDMS) and the SIP/IP Core.

The XDM-2 Reference Point consists of the XDM-2i (see section 5.4.1.1) and the SIC-2 (see section 5.4.2.2) Interfaces.

5.3.3.3 Reference Point XDM-3: XDMC – Aggregation Proxy

The XDM-3 Reference Point is between the XDMC and the Aggregation Proxy.

The XDM-3 Reference Point consists of the XDM-3i Interface (see section 5.4.1.2).

5.3.3.4 Reference Point XDM-4: Aggregation Proxy – XDMSs

The XDM-4 Reference Point is between the Aggregation Proxy and the XDMSs.

The XDM-4 Reference Point consists of the XDM-4i (see section 5.4.1.3) and the XDM-8.2i (see section 5.4.1.8) Interfaces.

5.3.3.5 Reference Point XDM-5: XDMC – Aggregation Proxy

The XDM-5 Reference Point is between the XDMC and the Aggregation Proxy.

The XDM-5 Reference Point consists of the XDM-5i Interface (see section 5.4.1.4).

5.3.3.6 Reference Point XDM-6: Aggregation Proxy – Search Proxy

The XDM-6 Reference Point is between the Aggregation Proxy and the Search Proxy.

The XDM-6 Reference Point consists of the XDM-6i Interface (see section 5.4.1.5).

5.3.3.7 Reference Point XDM-7: Search Proxy – XDMSs

The XDM-7 Reference Point is between the Search Proxy and the XDMSs.

The XDM-7 Reference Point consists of the XDM-7i Interface (see section 5.4.1.6).

5.3.3.8 Reference Point XDM-8: Aggregation Proxy – Cross-Network Proxy

The XDM-8 Reference Point is between the Aggregation Proxy and the Cross-Network Proxy.

The XDM-8 Reference Point consists of the XDM-8.1i (see section 5.4.1.7) and the XDM-8.2i (see section 5.4.1.8) Interfaces.

5.3.3.9 Reference Point XDM-9: Search Proxy – Cross-Network Proxy

The XDM-9 Reference Point is between the Search Proxy and the Cross-Network Proxy.

The XDM-9 Reference Point consists of the XDM-9i (see section 5.4.1.9 **Error! Reference source not found.**) and the XDM-6i (see section 5.4.1.5) Interfaces.

5.3.3.10 Reference Point XDM-10: Subscription Proxy – SIP/IP Core

The XDM-10 Reference Point supports the communication between the Subscription Proxy and the SIP/IP Core network.

The XDM-10 Reference Point consists of the XDM-10i (see section 5.4.1.10) and the SIC-2 (see section 5.4.2.2) Interfaces.

5.3.3.11 Reference Point XDM-11: XDM Agent - Aggregation Proxy

The XDM-11 Reference Point supports the communication between the XDM Agent and the Aggregation Proxy.

The XDM-11 Reference Point consists of the XDM-8.2i (see section 5.4.1.8) Interface.

5.3.3.12 Reference Point XDM-12: XDM Agent– SIP/IP Core

The XDM-12 Reference Point supports the communication between the XDM Agent and the SIP/IP Core.

The XDM-12 Reference Point consists of the SIC-2 Interface (see section 5.4.2.2).

5.3.3.13 Reference Point XDM-13: XDM Agent - Search Proxy

The XDM-13 Reference Point is between the XDM Agent and the Search Proxy.

The XDM-13 Reference Point consists of the XDM-6i Interface (see section 5.4.1.5).

5.3.3.14 Reference Point XDM-14: XDM Agent – XDMSs

The XDM-14 Reference Point is between the XDM Agent and the XDMSs.

The XDM-14 Reference Point consists of the XDM-4i Interface (see section 5.4.1.3).

5.3.3.15 Reference Point XDM-15: Aggregation Proxy – Subscription Proxy

The XDM-15 Reference Point is between the Aggregation Proxy and the Subscription Proxy.

The XDM-15 Reference Point consists of the XDM-17i Interface (see section 5.4.1.13).

5.3.3.16 Reference Point XDM-16: Subscription Proxy – Push Enabler

The XDM-16 Reference Point is between the Subscription Proxy and the Push Enabler.

The XDM-16 Reference Point provides the following functions:

- Sending Push Messages to XDMCs.

The XDM-16 Reference Point consists of the Push-PAP Interface [Push_AD-V2_2].

5.3.3.17 Reference Point XDM-17: XDMC – Push Enabler

The XDM-17 Reference Point is between the XDMC and the Push Enabler.

The XDM-17 Reference Point provides the following functions:

- Reception of XDM Resource related push messages.

The XDM-17 Reference Point consists of the Push-CAI Interface [Push_AD-V2_2].

5.3.3.18 Reference Point XDM-18: Subscription Proxy – XDMSs

The XDM-18 Reference Point is between the Subscription Proxy and the XDMSs.

The XDM-18 Reference Point consists of the XDM-4i Interface (see section 5.4.1.3).

5.3.3.19 Reference Point NNI-1: Cross-Network Proxy –Remote Network

The NNI-1 Reference Point supports the communication between XDM entities in different domains connected via Cross-Network Proxies. The protocols for the NNI-1 Reference Point are XCAP, XDCCP and Limited XQuery over HTTP transported optionally using any secure protocol or connection (e.g. TLS) according to the Service Provider's local policy.

5.3.4 External Reference Points Providing Services to XDM

5.3.4.1 Reference Point IP-1: SIP/IP Core – Remote Network

The IP-1 Reference Point supports the communication between the SIP/IP Core network and an XDMS in the Remote Network.

The IP-1 Reference Point consists of the SIC-3 Interface (see section 5.4.2.3).

5.4 Description of Interfaces

5.4.1 XDM Interfaces

5.4.1.1 Interface XDM-2i: XDMSs

The XDM-2i Interface is exposed by the XDMSs. The protocol for the XDM-2i Interface is SIP.

The XDM-2i Interface provides the following functions:

- Subscription to the modification of XDM Resources handled by a particular XDMS;
- Notification of the modification of XDM Resources handled by a particular XDMS.

5.4.1.2 Interface XDM-3i: Aggregation Proxy

The XDM-3i Interface is exposed by the Aggregation Proxy. The protocols for the XDM-3i Interface are XCAP and XDCP.

The XDM-3i Interface provides the following functions:

- Management of XDM Resources (e.g. create, modify, retrieve, delete, restore) handled by any XDMS;
- History Information management for XDM Documents (e.g. retrieve the History Information related to an XDMDocument);
- Forwarding of XDM Resources handled by any XDMS;
- Access Permissions management for XDM Documents handled by any XDMS;
- History function related preferences management (e.g. enable/disable History function) for XDM Documents handled by any XDMS;
- Optional mutual authentication between XDMS and Aggregation Proxy;
- Optional compression according to the Service Provider's local policy.

When the SIP/IP Core network corresponds with 3GPP/3GPP2 IMS, then the XDM-3i Interface conforms to the interface that the Ut Reference Point is accessed through as specified in [3GPP-TS_23.002] [3GPP2-X.S0013-000].

5.4.1.3 Interface XDM-4i: XDMSs

The XDM-4i Interface is exposed by the XDMSs. The protocols for the XDM-4i Interface are XCAP and XDCP.

The XDM-4i Interface provides the following functions:

- Management of XDM Resources (e.g. create, modify, retrieve, delete, restore) handled by a particular XDMS;
- History Information management for XDM Documents (e.g. retrieve the History information related to an XDM Document);
- Forwarding of XDM Resources handled by a particular XDMS;
- Access Permissions management for XDM Documents handled by a particular XDMS;
- History function related preferences management (e.g. enable/disable History function) for XDM Documents handled by a particular XDMS.

5.4.1.4 Interface XDM-5i: Aggregation Proxy

The XDM-5i Interface is exposed by the Aggregation Proxy. The protocol for the XDM-5i Interface is Limited XQuery over HTTP.

The XDM-5 Interface provides the following functions:

- Searching information from XDM Documents stored in any XDMS;
- Searching information from History Information XDM Documents stored in any XDMS;
- Optional mutual authentication of search requests between XDMS and Aggregation Proxy;
- Optional compression according to the Service Provider's local policy.

When the SIP/IP Core network corresponds with 3GPP/3GPP2 IMS, then the XDM-5i Interface conforms to the interface that the Ut Reference Point is accessed through as specified in [3GPP-TS_23.002] [3GPP2-X.S0013-000].

5.4.1.5 Interface XDM-6i: Search Proxy

The XDM-6i Interface is exposed by the Search Proxy. The protocol for the XDM-6i Interface is Limited XQuery over HTTP.

The XDM-6 Interface provides the following functions:

- Searching information from XDM Documents stored in any XDMS;
- Searching information from History Information XDM Documents stored in any XDMS.

5.4.1.6 Interface XDM-7i: XDMSs

The XDM-7i Interfaces is exposed by the XDMSs. The protocol for the XDM-7i Interface is Limited XQuery over HTTP.

The XDM-7i Interface provides the following functions:

- Searching information from XDM Documents stored in an XDMS supporting search;
- Searching data from History Information stored in an XDMS supporting search of History Information.

5.4.1.7 Interface XDM-8.1i: Cross-Network Proxy

The XDM-8.1i Interface is exposed by the Cross-Network Proxy. The protocols for the XDM-8.1i Interface are XCAP and XDCP.

The XDM-8.1i Interface provides the following functions:

- Routing and forwarding of requests to the Cross-Network Proxy for management of XDM Resources (e.g. create, modify, retrieve, delete, forward) handled by any XDMS in Remote Networks;
- Receiving responses from the Cross-Network Proxy for management of XDM Resources (e.g. create, modify, retrieve, delete, forward) handled by any XDMS in Remote Networks.

5.4.1.8 Interface XDM-8.2i: Aggregation Proxy

The XDM-8.2i Interface is exposed by the Aggregation Proxy. The protocol for the XDM-8.2i Interface is XCAP and XDCP.

The XDM-8.2i Interface provides the following functions:

- Forwarding of requests to the Aggregation Proxy for management of XDM Resources (e.g. create, modify, retrieve, delete, forward) handled by any XDMS;

- Receiving responses from the Aggregation Proxy for management of XDM Resources (e.g. create, modify, retrieve, delete, forward) handled by any XDMS.

5.4.1.9 Interface XDM-9i: Cross-Network Proxy

The XDM-9i Interface is exposed by the Cross-Network Proxy. The protocol for the XDM-9i Interface is Limited XQuery over HTTP.

The XDM-9i Interface provides the following functions:

- Routing and forwarding of search requests to the Cross-Network Proxy for searches in remote domains;
- Receiving search responses from the Cross-Network Proxy for searches in remote domains.

5.4.1.10 Interface XDM-10i: Subscription Proxy

The XDM-10i Interface is exposed by the Subscription Proxy. The protocol for the XDM-10i Interface is SIP.

The XDM-10i Interface provides the following functions:

- Subscription to modifications of any XDM Resources;
- Notification of modifications of any XDM Resources.

5.4.1.11 Interface XDM-15i: Cross-Network Proxy

The XDM-15i Interface is exposed by the Cross-Network Proxy. The protocols for the XDM-15i Interface is XCAP and XDCP transported using any secure protocol or connection e.g. TLS between Remote Networks.

The XDM-15i Interface provides the following functions:

- Forwarding of requests to the Cross-Network Proxy for management of XDM Resources (e.g. create, modify, retrieve, delete) handled by any XDMS residing in the same domain as the Cross-Network Proxy;
- Receiving responses from the Cross-Network Proxies for management of XDM Resources (e.g. create, modify, retrieve, delete) handled by any XDMS residing in the same domain as the Cross-Network Proxy.

5.4.1.12 Interface XDM-16i: Cross-Network Proxy

The XDM-16i Interface is exposed by the Cross-Network Proxy. The protocol for the XDM-16i Interface is Limited XQuery over HTTP transported using any secure protocol or connection e.g. TLS between Remote Networks.

The XDM-16i Interface provides the following functions:

- Forwarding of search requests to the Cross-Network Proxy for searching information from XDM Documents stored in any XDMS residing in the same domain as the Cross-Network Proxy;
- Receiving search responses from the Cross-Network Proxy for the search requests.

5.4.1.13 Interface XDM-17i: Subscription Proxy

The XDM-17i Interface is exposed by the Subscription Proxy. The protocol for the XDM-17i Interface is XDCP.

The XDM-17i Interface provides the following function:

- Subscription for Push Messages of XDM Resource changes.

5.4.2 External Interfaces used by the XDM Enabler

5.4.2.1 Interface SIC-1: SIP/IP Core

The SIC-1 Interface is exposed by the SIP/IP Core network and reused by the XDM Enabler. The protocol for the SIC-1 Interface is SIP.

The SIC-1 Interface provides the following functions:

- Authentication;
- Subscription to the modification of any XDM Resources;
- Notification of the modification of any XDM Resources.

When the SIP/IP Core network corresponds with 3GPP IMS or 3GPP2 MMD networks, then the SIC-1 Interface conforms to the interface that the Gm Reference Point is accessed through as specified in [3GPP-TS_23.002] [3GPP2-X.S0013-000].

5.4.2.2 Interface SIC-2: SIP/IP Core

The SIC-2 Interface is exposed by the SIP/IP Core network and reused by the XDM Enabler. The protocol for the SIC-2 Interface is SIP.

The SIC-2 Interface provides the following functions:

- Subscription to the modification of any XDM Resources;
- Notification of the modification of any XDM Resources;
- Sending of Extended Group Advertisements messages in case the XDMS is a Group XDMS.

When the SIP/IP Core network corresponds with 3GPP IMS or 3GPP2 MMD networks, then the SIC-2 Interface conforms to the interface that the ISC Reference Point is accessed through as specified in [3GPP-TS_23.002] [3GPP2-X.S0013-000].

5.4.2.3 Interface SIC-3: SIP/IP Core

The SIC-3 Interface is exposed by the SIP/IP Core and reused by the XDM Enabler. The protocol for the SIC-3 Interface is SIP.

- The SIC-3 Interface supports the communication between SIP/IP Core networks.

When the SIP/IP Core network corresponds with 3GPP IMS or 3GPP2 MMD networks, then the SIC-3 Interface conforms to the interface that the Ici Reference Point is accessed through as specified in [3GPP-TS_23.002] [3GPP2-X.S0013-000].

5.4.2.4 Interface Push-PAP: Push Enabler

This interface is described in [Push_AD-V2_2]

5.4.2.5 Interface Push-CAI: Push Enabler

This interface is described in [Push_AD-V2_2]

5.5 Security Considerations

The XDM Agent is authorized in the XDMS based on the received identity information;

For an XDMS, the necessary integrity and confidentiality protection (e.g. TLS) and authentication (e.g. HTTP Digest [RFC4825], GAA [3GPP-TS_33.222]) are enforced according to Service Provider's local policy.

6. Backward Compatibility

6.1 Backward Compatibility towards the XDM 2.0 version

The following deployment scenarios are supported for the purpose of backward compatibility for the XDM Enabler version 2.1 described in this document:

Scenario A) whereby:

- XDM Enabler version 2.0 [XDM_ERELD-V2_0] server entity implementations are replaced with XDM Enabler version 2.1 server entity implementations; and
- XDM Enabler version 2.0 [XDM_ERELD-V2_0] XDMC implementations exist e.g. embedded in other Enablers entities.

In order to support Scenario A) it is required that:

- All XDM Enabler version 2.1 XDM entities supports all XDM Enabler version 2.0 functions including the backward compatibility scenarios described in section 6 “Backward compatibility towards the XDM Enabler version 1.1 and the PoC Enabler version 1.0.” of [XDM_AD-V2_0]:

Scenario B) whereby:

- XDM Enabler version 2.0 [XDM_ERELD-V2_0] server entity implementations are not replaced with XDM Enabler version 2.1 [XDM_ERELD-V2_1] server entity implementations; and
- XDM Enabler version 2.1 [XDM_ERELD-V2_1] XDMC implementations are introduced e.g. via other Enablers.

In order to support Scenario B) it is required that:

- XDM Enabler version 2.1 XDMC implementations use the XDM Enabler defined capability requests to find out with type of XDM Documents that are supported in order to use only XDM Enabler version 2.0 specified XDM Documents.

NOTE: The XDM Enabler version 2.0 entities “Shared Group XDMS”, “Shared List XDMS”, “Shared Policy XDMS” and “Shared Profile XDMS” have in the XDM Enabler version 2.1 been renamed to “Group XDMS”, “List XDMS”, “Policy XDMS” and “Profile XDMS” but this does not affect the implementation of any other entity implemented according to the XDM Enabler versions 2.0 or 2.1 specifications.

Appendix A. Change History

(Informative)

A.1 Approved Version 2.1 History

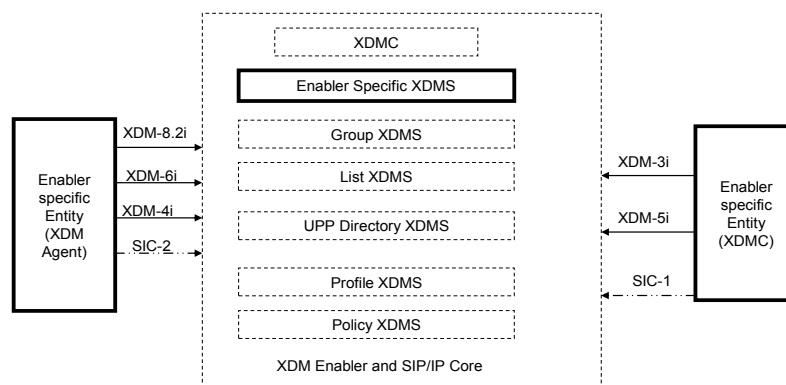
| Reference | Date | Description |
|----------------------------|-------------|---|
| OMA-AD-XDM-V2_1-20120403-A | 03 Apr 2012 | Status changed to Approved by TP: OMA-TP-2012-0136-INP_XDM_V2_1_ERP_for_Final_Approval |

Appendix B. How to show re-use of the XDM Enabler (Informative)

This section describes how OMA Enabler can re-use the XDM Enabler and shows how this should be reflected in the Enabler’s architecture diagrams.

To make the architecture diagrams of Enablers re-using XDM Enabler simpler, the architecture diagrams should show only how the Enabler is using the different XDMSs and not the entire XDM architecture model. The architecture document is recommended to include the following information:

- A figure as shown below as part of the “Architectural Diagram” section. It is recommended
 - to shows which Enabler specific entities that are using the XDM Enabler;
 - to show which XDMSs that the Enabler is using;
 - to show which of XDM/SIC Interfaces Enabler specific entities are using;
 - to show an Enabler Specific Entity with an embedded XDMC when the functions of an XDMC defined in the XDM Enabler does not cover needs of the reusing Enabler;
 - not to show in the “main” Enabler architectural diagram how the XDM Enabler is used.
- In the section “Functional Entities” it is recommended that per Entity using the XDM Enabler it is listed which particular XDMSs this entity is using;
- In the section “Functional Entities” it is recommended that per Enabler Specific XDMS it is listed which XDM functions in the list in section 5.3.1.12 it supports;
- The XDM Interfaces in the diagram are recommended to be described under a Sub section “External Interfaces” under the “Interfaces” Section in the architecture document. The description is recommended only to contain a text that contains a reference to the XDM-AD e.g. “The XDM-8.2i Interface is described in [XDM_AD]”.



Dashed Boxes and Interfaces are described in [XDM_AD]

Figure 3: How to show reuse of the XDM Enabler.

Appendix C. XDM Service Provisioning

An XDM Service provider can set up the XDM Service configurations remotely in an XDMC in a terminal device. When DM Enabler [DM_ERELD] is deployed, Device management as specified in [DM_SO] provides the support for remote provisioning and management of an XDM Enabler specified Management Object containing necessary configuration parameters for the XDMC in the terminal device.

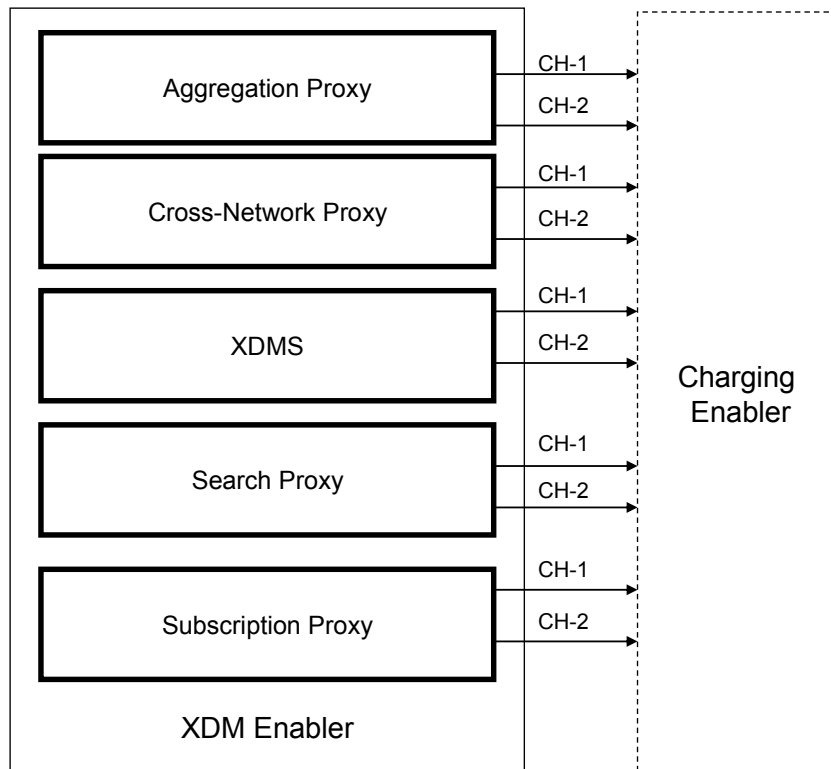
Appendix D. Use of Charging Enabler for XDM Charging (Informative)

The OMA Charging Enabler [Charging_AD] coordinates charging data triggers and flow from OMA Enablers into an underlying charging infrastructure, supporting on-line and off-line charging. XDM entities that may optionally report Chargeable Events are:

- Aggregation Proxy;
- Subscription Proxy;
- Search Proxy;
- XDM Enabler defined XDMSs (i.e. Profile XDMS, Group XDMS, Policy XDMS, List XDMS and UPP Directory XDMS);
- Enabler specific XDMS.

The CH-1 and CH-2 Interfaces are described in [Charging_AD].

Implementations of XDM components may act as Charging Enabler users [Charging_AD]. Figure 4 shows the Interfaces between these entities and the charging Enabler. Two Interfaces are currently supported by the Charging Enabler, CH-1 for offline charging and CH-2 for on line charging. These are described in [Charging_AD].



Dashed Boxes and Interfaces are not specified by XDM Enabler

Figure 4: XDM Enabler Use of the Charging Enabler’s CH-1 and CH-2 Interfaces